

**SAW Resonator 456MHz**  
**Part No: MP02981**

**Model: TC0281A**  
**Rev No: 1**

**A. FEATURES:**

1-Port Resonator

**B. MAXIMUM RATING:**

1. Input Power Level: 0dBm
2. DC voltage: 12V
3. Operating Temperature: -40°C to +85°C
4. Storage Temperature: -40°C to +85°C

**C. ELECTRICAL CHARACTERISTICS:**

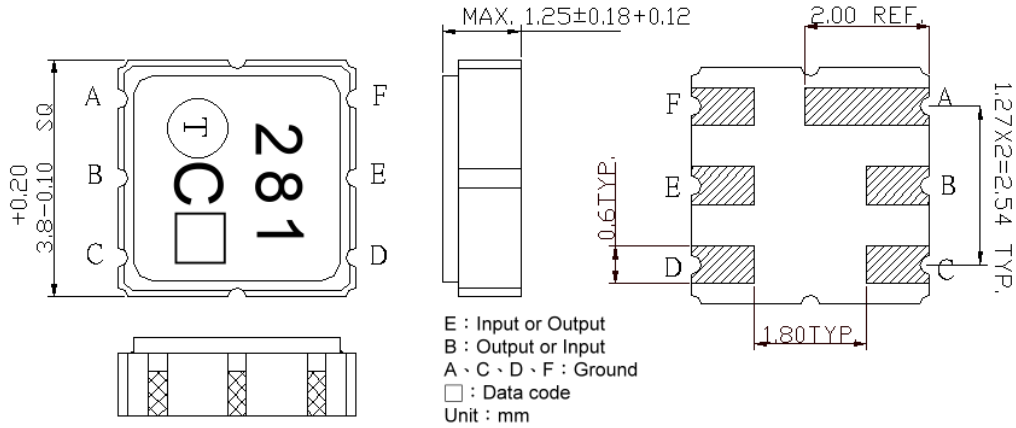
Characteristics	Units	Min.	Typ.	Max.
Center frequency Fc	MHz	455.900	456	456.100
Insertion Loss IL	dB	-	1.6	2.5
Equivalent Elements				
Motional capacitance C1	fF	-	2.466	-
Motional inductance L1	μH	-	98.52	-
Motional resistance R1	Ω	-	23.8	-
Parallel capacitance Co	pF	-	1.23	-
Temp.coeff	ppm/c*2	-	0.032	-
Turnover To	deg.C	10		40
Package size		SMD 3.8 X 3.8 X 1.4mm		

Temperature dependence of Fc:  $F_c(T_A) = F_c(T_O) (1 + TC_f(T_A - T_O)^2)$

**SAW Resonator 456MHz**  
**Part No: MP02981**

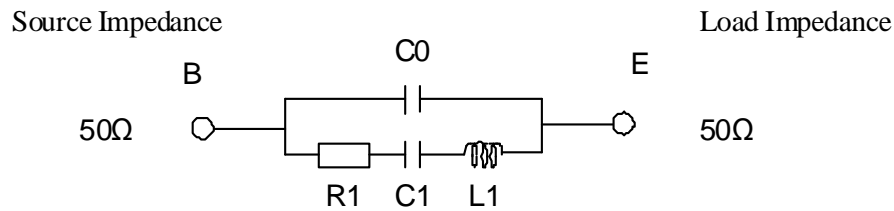
**Model: TC0281A**  
**Rev No: 1**

**D. OUTLINE DRAWING:**



**E. EQUIVALENT CIRCUIT:**

1-Port Resonator



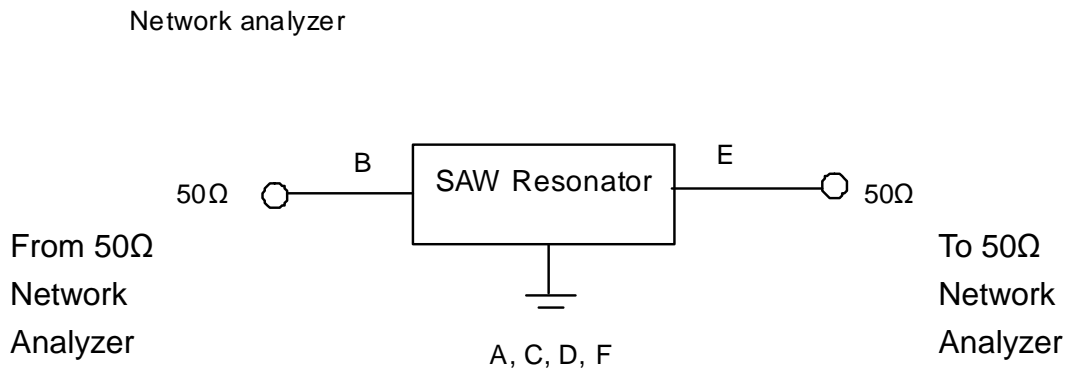
**F. FREQUENCY CHARACTERISTICS:**



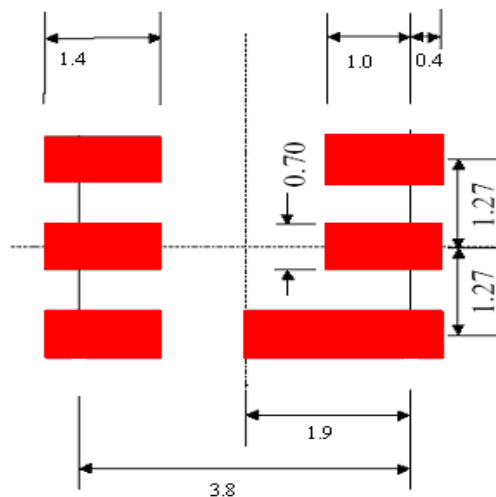
**SAW Resonator 456MHz**  
**Part No: MP02981**

**Model: TC0281A**  
**Rev No: 1**

**G. TEST CIRCUIT:**



**H. PCB FOOTPRINT:**

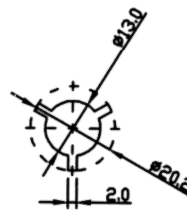
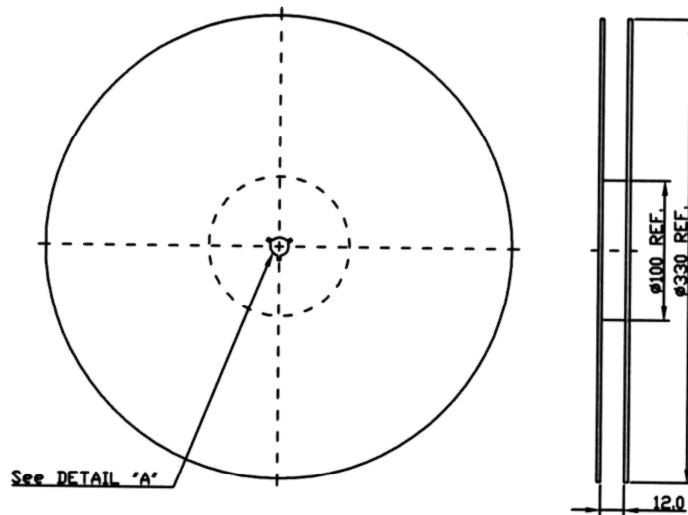


**SAW Resonator 456MHz**  
**Part No: MP02981**

**Model: TC0281A**  
**Rev No: 1**

**I. PACKING:**

**1. REEL DIMENSION**



**2. TAPE DIMENSION**

