

SAW Filter 340MHz

Model: TA0797A

Part No: MP02260

REV NO.: 1

A. MAXIMUM RATING:

1. Input Power Level: 10 dBm
2. DC voltage: 3 V
3. Operating Temperature: -10°C to +65°C
4. Storage Temperature: -40°C to +85°C

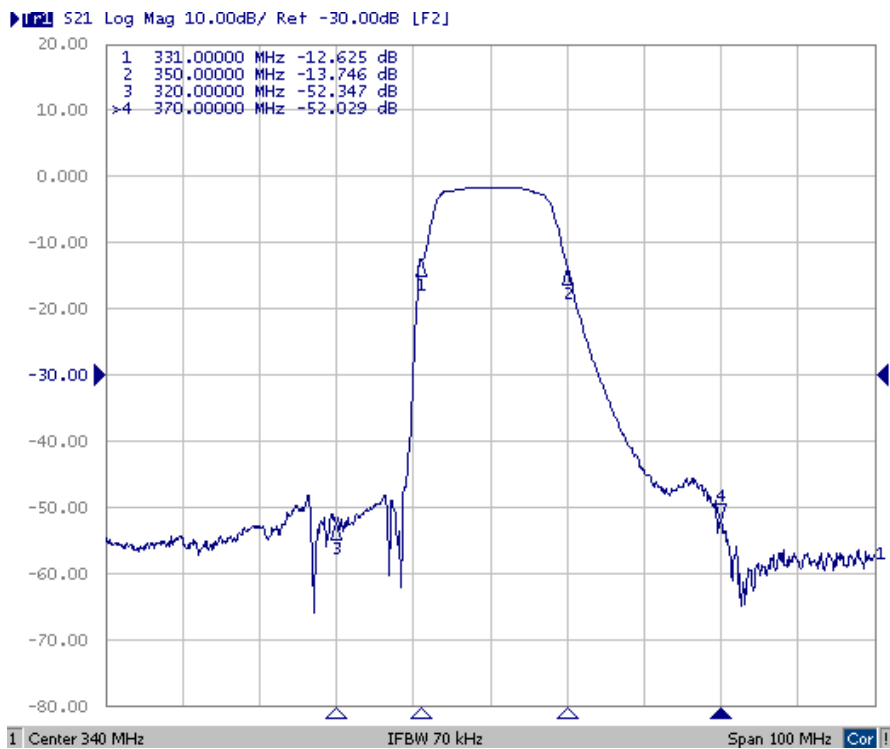
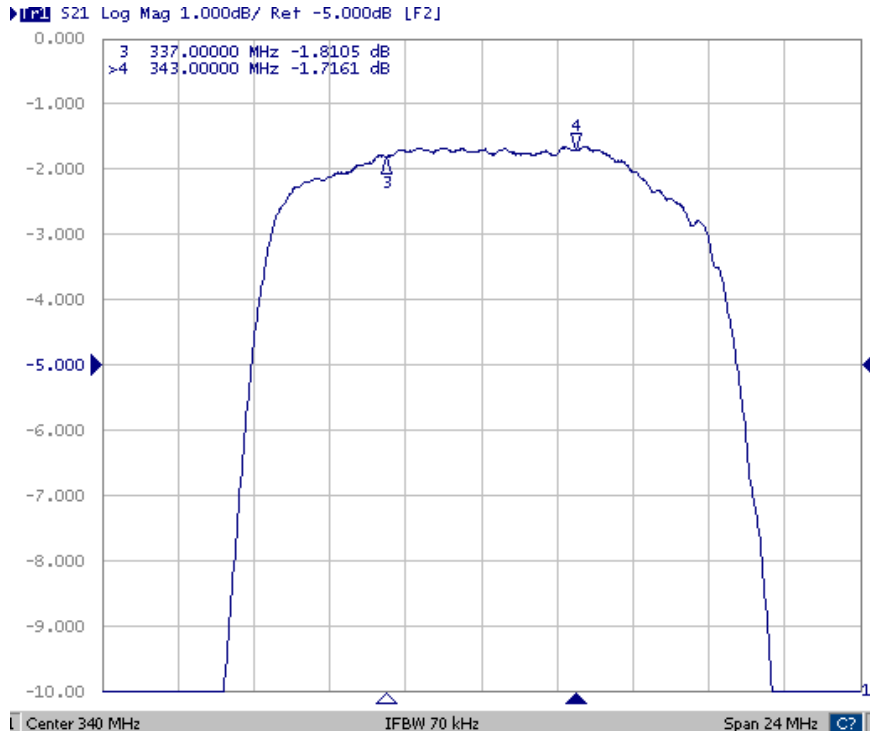
B. ELECTRICAL CHARACTERISTICS:

Item	Unit	Min.	Typ.	Max.
Center frequency Fc	MHz	-	340	-
Insertion Loss 337~343MHz IL	dB	-	1.9	3.5
Ripple 337~343MHz	MHz	-	0.4	1.5
Return Loss 337~343MHz	dB	-	-14	-9
Absolute Attenuation:(Ref level from 0dB)				
300 to 320 MHz	dB	40	46	-
320 to 331 MHz	dB	6	12	-
350 to 370 MHz	dB	6	12	-
370 to 400 MHz	dB	40	45	-
Temperature coefficient of frequency	ppm/k	-	-37	-
Source impedance Zs	Ω	-	50	-
Load impedance ZL	Ω	-	50	-

SAW Filter 340MHz
Part No: MP02260

Model: TA0797A
REV NO.: 1

C. FREQUENCY CHARACTERISTICS:



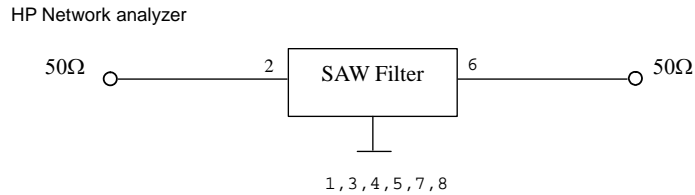
SAW Filter 340MHz

Model: TA0797A

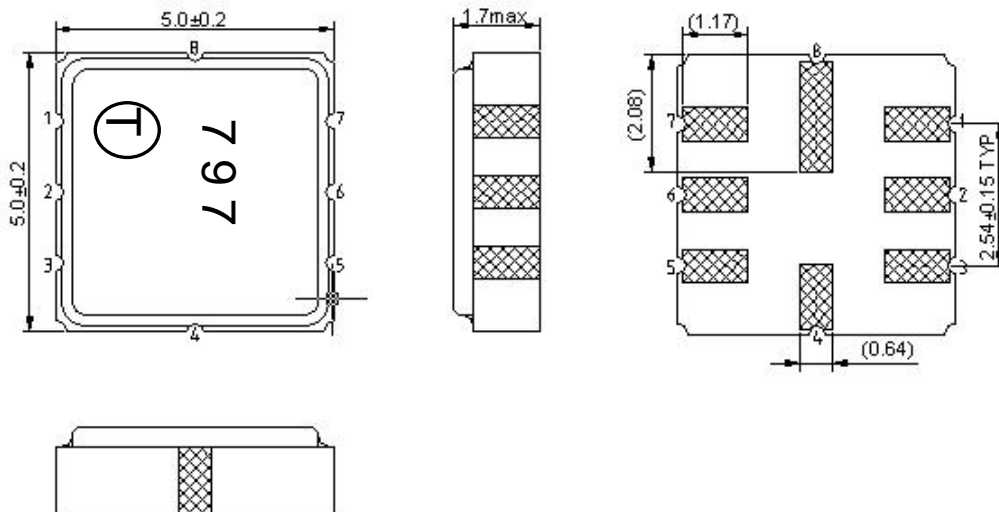
Part No: MP02260

REV NO.: 1

D. MEASUREMENT CIRCUIT:

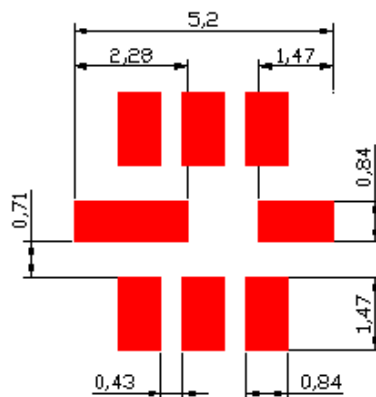


E. OUTLINE DRAWING:



- #2: Input
 - #6: Output
 - #1,3,4,5,7,8: Ground
- Unit: mm

F. PCB FOOTPRINT:

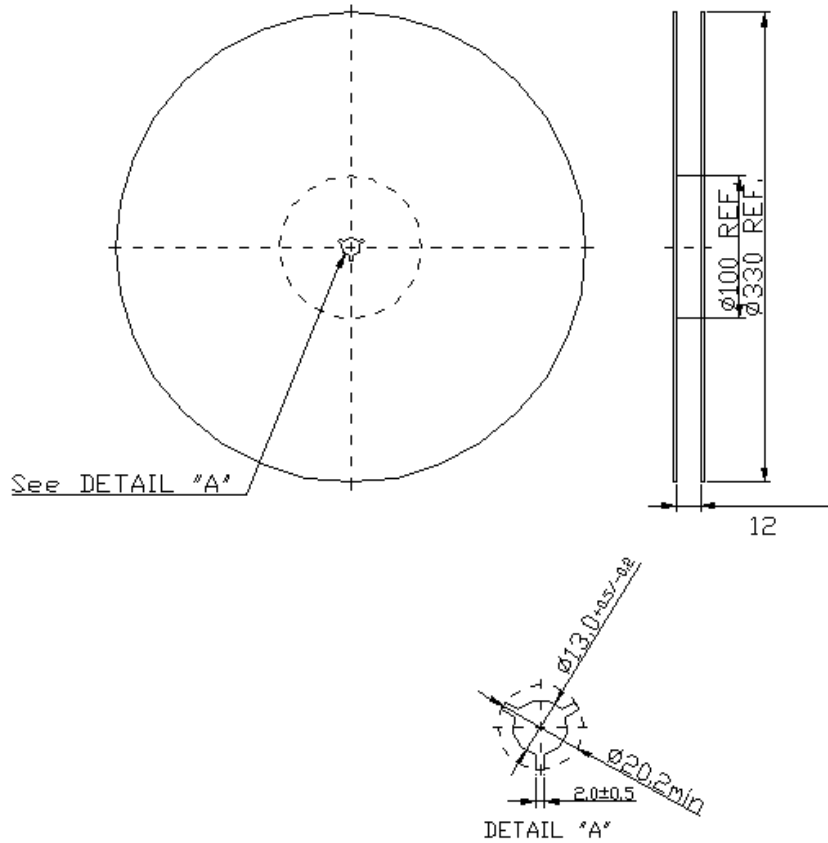


SAW Filter 340MHz
Part No: MP02260

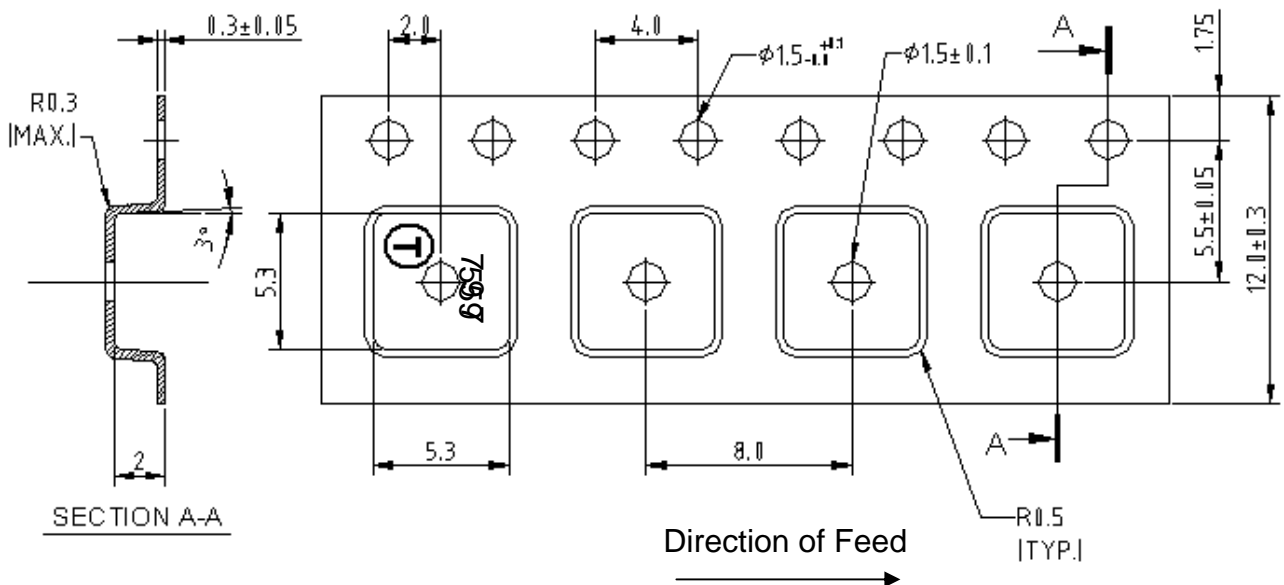
Model: TA0797A
REV NO.: 1

G. PACKING:

1. REEL DIMENSION



2. TAPE DIMENSION



SAW Filter 340MHz
Part No: MP02260

Model: TA0797A
REV NO.: 1

H. RECOMMENDED REFLOW PROFILE:

