
IF SAW Filter: 109.8MHz (BW=200kHz) (SMD 11.4X5.0mm) Model: TB0791A
Part No: MP01987 **Rev No: 1**

A. MAXIMUM RATING:

1. Operating Temperature: -10°C ~ +50°C
2. Storage Temperature: -40°C ~ +85°C
3. Input Power Level: 10dBm

B. CHARACTERISTICS:

Ambient Temperature: 25°C

Characteristics	Value		
	Min.	Typ.	Max.
Center frequency Fc MHz	-	109.8	-
Minimum Insertion loss IL dB	-	8.2	9.5
Amplitude Ripple (Fc ± 100kHz) dB	-	0.6	1.0
1dB Bandwidth kHz	-	288	-
3dB Bandwidth kHz	200	430	-
Relative Rejection (Reference to Minimum Insertion loss)			
Fc ± 0.614MHz dB	-	16	-
Fc -2.05MHz dB	35	41	-
Fc -1.7 MHz dB	30	39	-
Fc -1.25MHz dB	30	37	
Fc -0.9MHz dB	20	30	
Fc +0.9MHz dB	20	28	
Fc +1.25MHz dB	30	38	
Fc +1.7MHz dB	30	37	
Fc +2.05MHz dB	35	42	
Fc -2.5MHz dB	36	49	
Temp Coefficient ppm/K ²	-	-0.036	-

IF SAW Filter: 109.8MHz (BW=200kHz) (SMD 11.4X5.0mm) Model: TB0791A
Part No: MP01987 **Rev No: 1**

C. FREQUENCY CHARACTERISTICS:

1. S21 Response

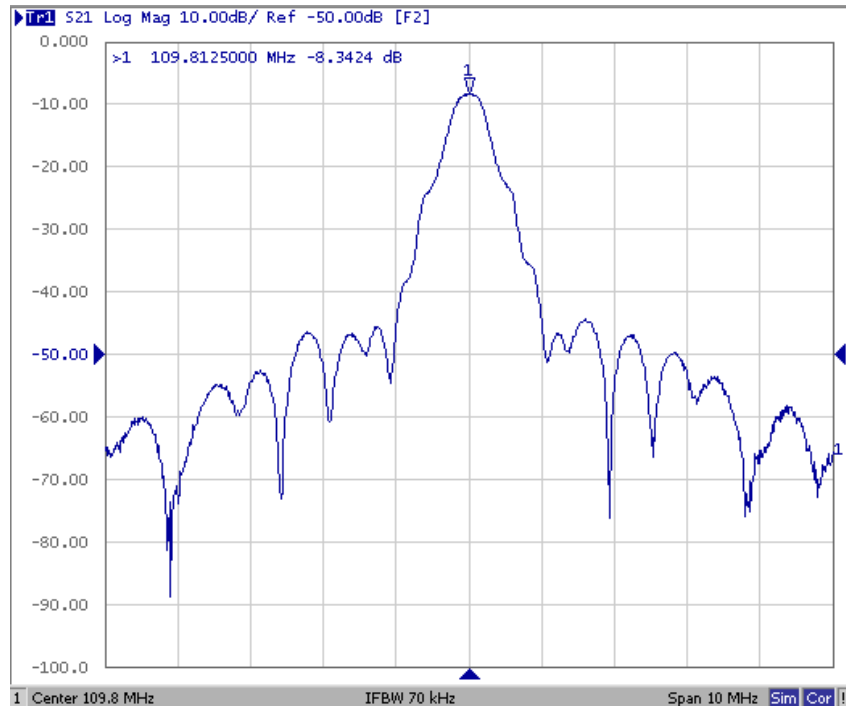


Fig1. Horizontal: 1.0MHz/Div Vertical: 10dB/Div

2. Passband Response and Group Delay Response

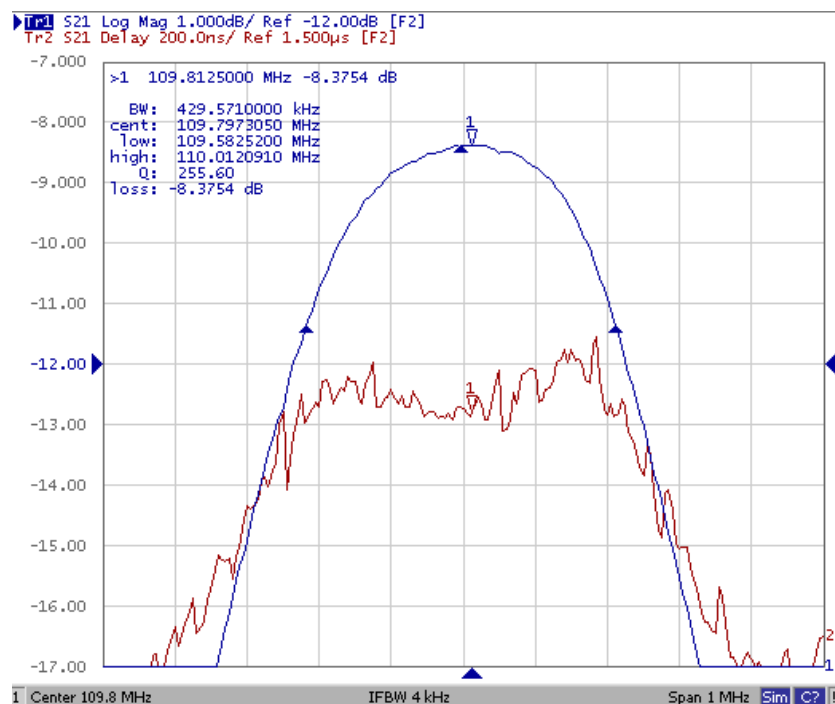
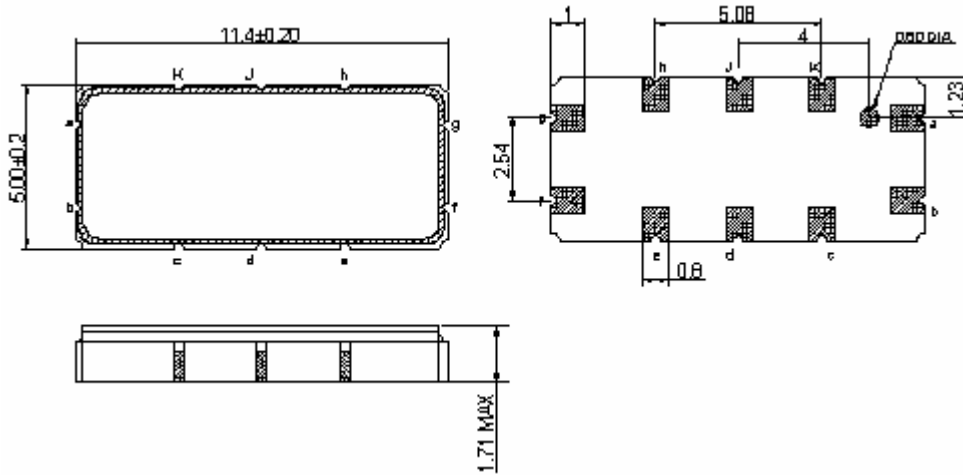


Fig2. Horizontal: 0.1MHz/Div Vertical 1: 1dB/Div, Vertical 2: 200nS/Div

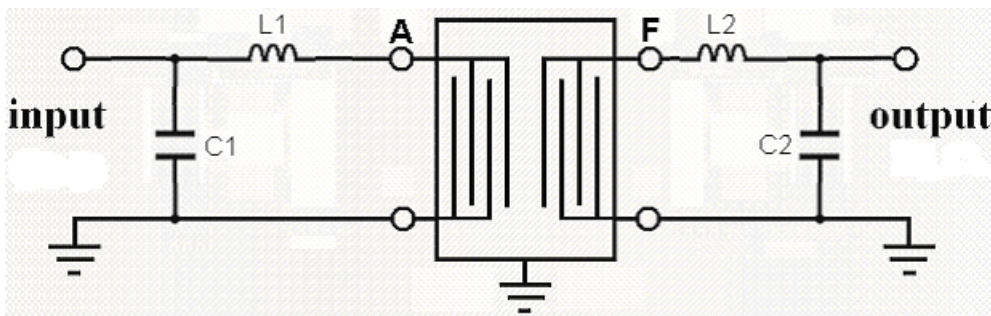
IF SAW Filter: 109.8MHz (BW=200kHz) (SMD 11.4X5.0mm) Model: TB0791A
Part No: MP01987 **Rev No: 1**

D. OUTLINE DRAWING:



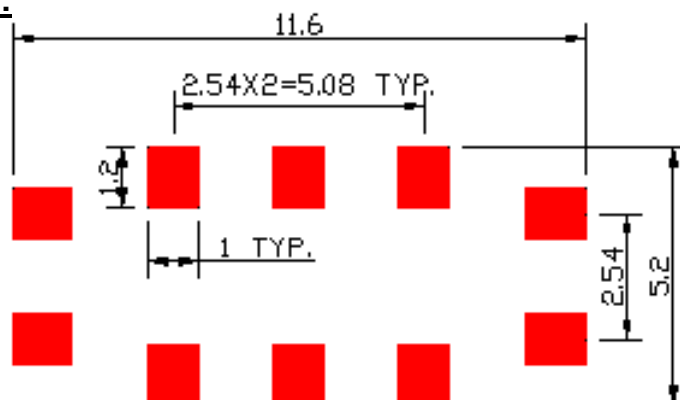
Pin A: RF Input
 Pin F: RF Output
 Pin B, C, D, E, G, H, J, K: To be ground
 Unit: mm

E. MATCHING CIRCUIT:



$Z_{IN} = Z_{OUT} = 470\Omega$, $L1 = 270nH$, $L2 = 270nH$, $C1 = 12pF$, $C2 = 15pF$

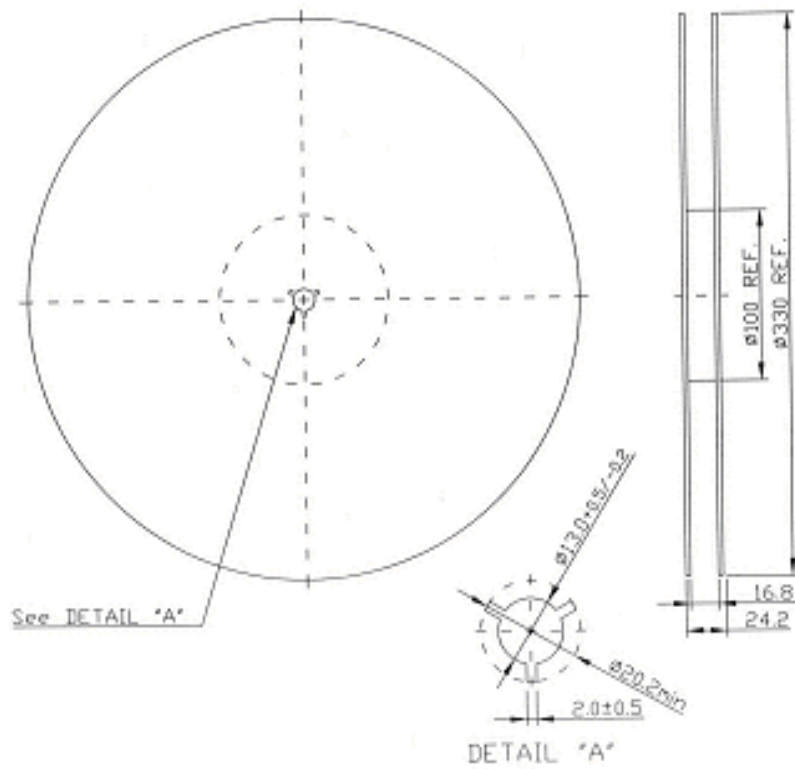
F. PCB FOOTPRINT:



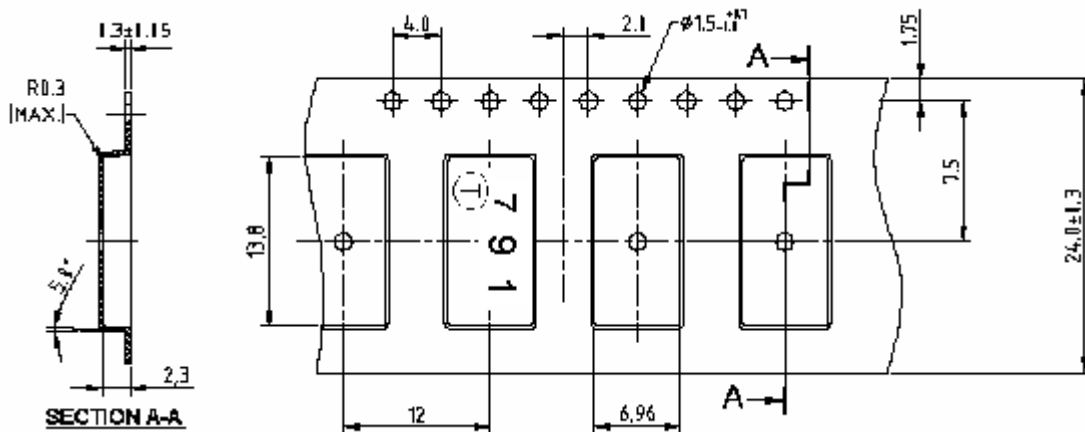
IF SAW Filter: 109.8MHz (BW=200kHz) (SMD 11.4X5.0mm) Model: TB0791A
Part No: MP01987 **Rev No: 1**

G. PACKING:

1. Reel Dimension



2. Tape Dimension



IF SAW Filter: 109.8MHz (BW=200kHz) (SMD 11.4X5.0mm) Model: TB0791A
Part No: MP01987 **Rev No: 1**

H. RECOMMENDED REFLOW PROFILE:

