

429.250MHz SAW Filter

Model: TA0707A

Part No: MP01686

REV NO.: 1

A. MAXIMUM RATING:

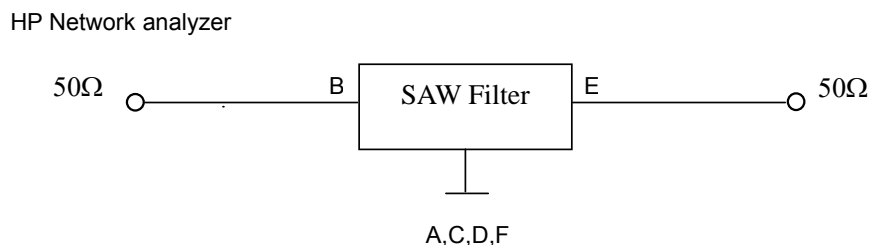
1. Input Power Level: 10 dBm
2. DC voltage: 3 V
3. Operating Temperature: -10°C to 60°C
4. Storage Temperature: -30°C to +85°C

B. CHARACTERISTICS:

| Item | Unit | Min. | Typical | Max. |
|---|------|------|---------|------|
| Center frequency Fc | MH | - | 429.25 | - |
| Insertion loss Fc±1.0 MHz IL | dB | - | 2.0 | 4.0 |
| Amplitude ripple Fc±1.0 MHz | dB | - | 0.5 | 2.0 |
| Attenuation (Reference level from 0 dB) | | | | |
| 417.1 ~ 420.1 MHz | dB | 8 | 29 | - |
| 383.0 ~ 386.8 MHz | dB | 45 | 50 | - |
| 471.0 ~ 474.0 MHz | dB | 45 | 51 | - |
| Source impedance Zs | Ω | - | 50 | - |
| Load impedance ZL | Ω | - | 50 | - |

Note1. No matching network required for operation at 50Ω

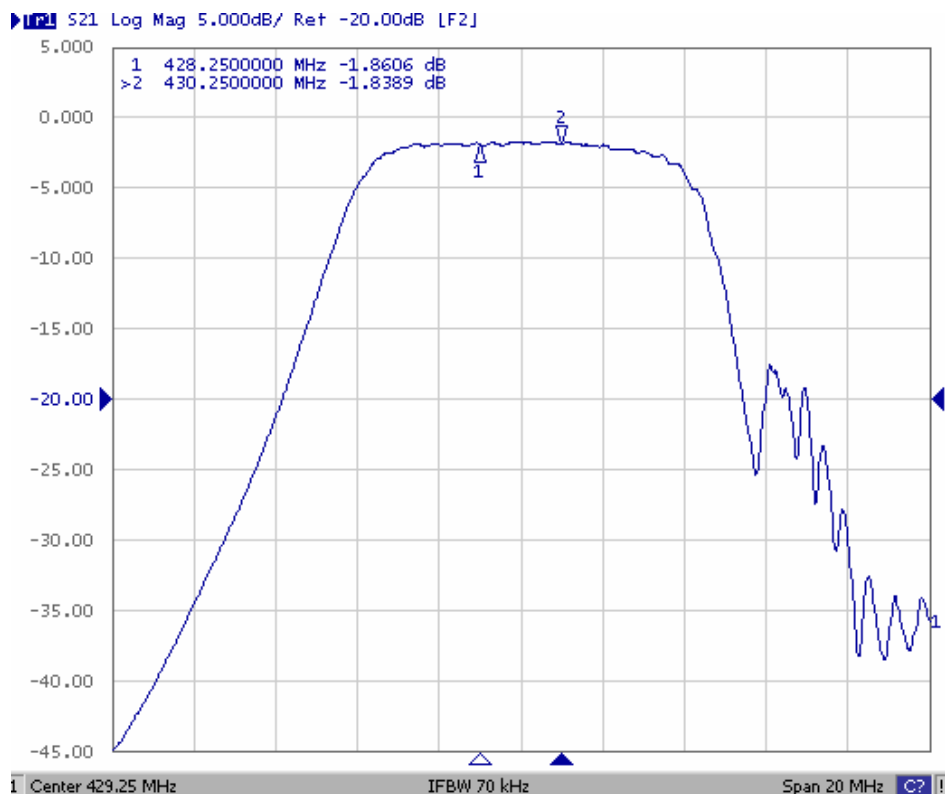
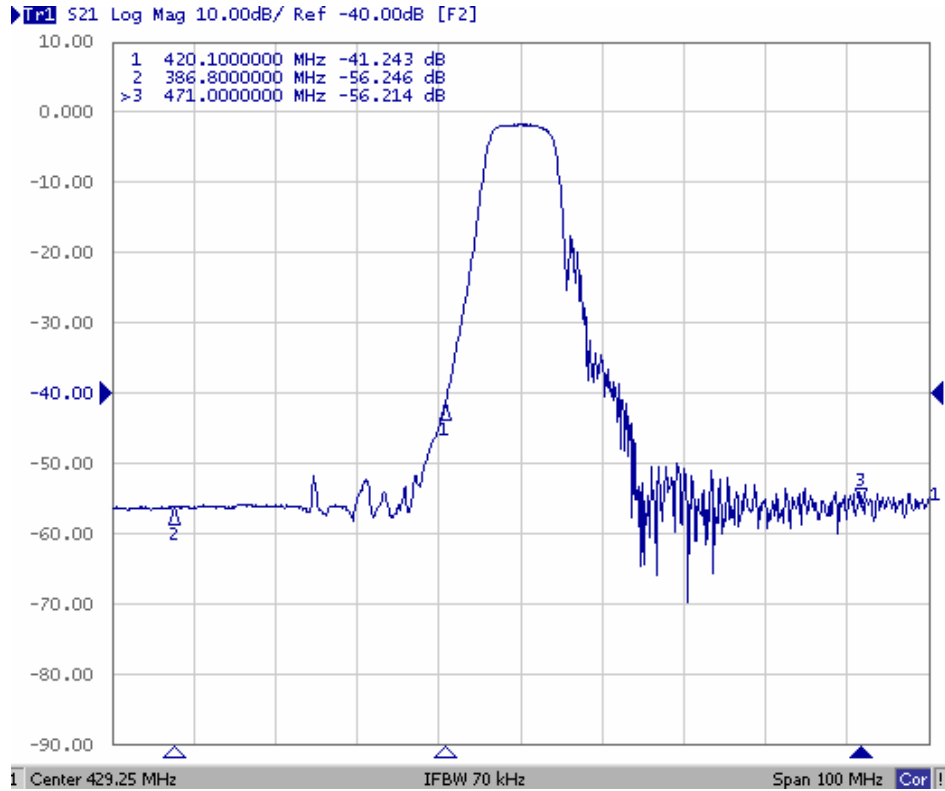
C. MEASUREMENT CIRCUIT:



429.250MHz SAW Filter
Part No: MP01686

Model: TA0707A
REV NO.: 1

D. TRANSFER FUNCTION:



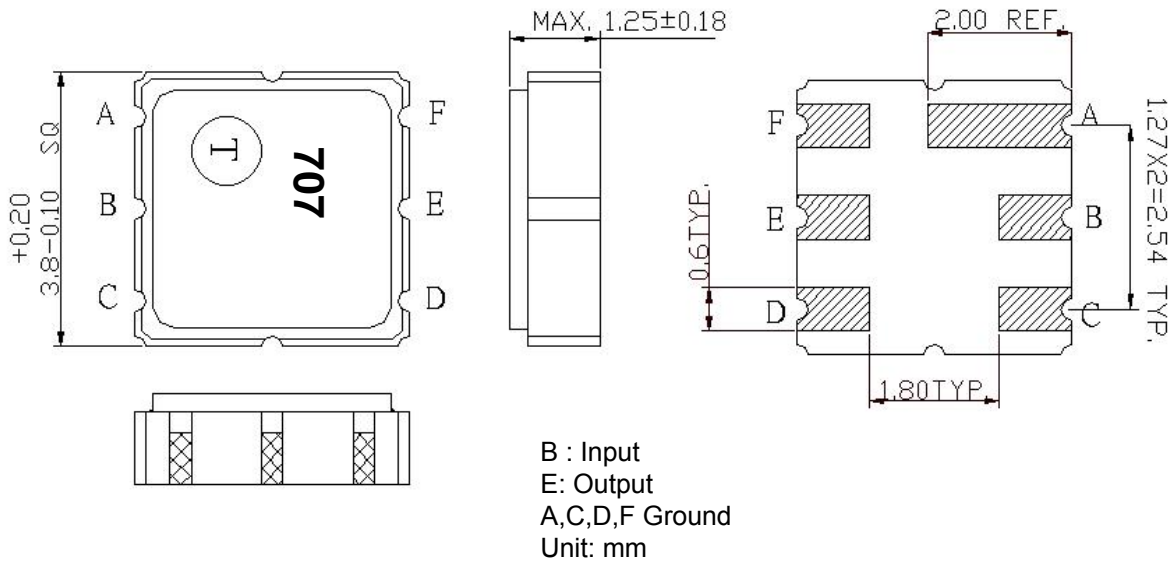
429.250MHz SAW Filter

Model: TA0707A

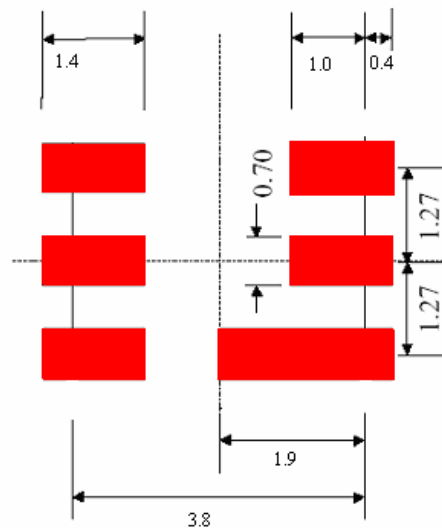
Part No: MP01686

REV NO.: 1

E. OUTLINE DRAWING:



F. PCB FOOTPRINT:



429.250MHz SAW Filter

Model: TA0707A

Part No: MP01686

REV NO.: 1

H. REFLOW PROFILE

