

SAW Resonator 433.920MHz
Part No: MP01670

Model: TC0269A
Rev No: 2

A. FEATURES:

1 - Port Resonator

B. MAXIMUM RATING:

1. Input Power Level: 0dBm
2. DC voltage: 12V
3. Operating Temperature: -40°C to +85°C
4. Storage Temperature: -40°C to +85°C

C. ELECTRICAL CHARACTERISTICS:

Reference Temperature $T_A = 25^\circ\text{C}$

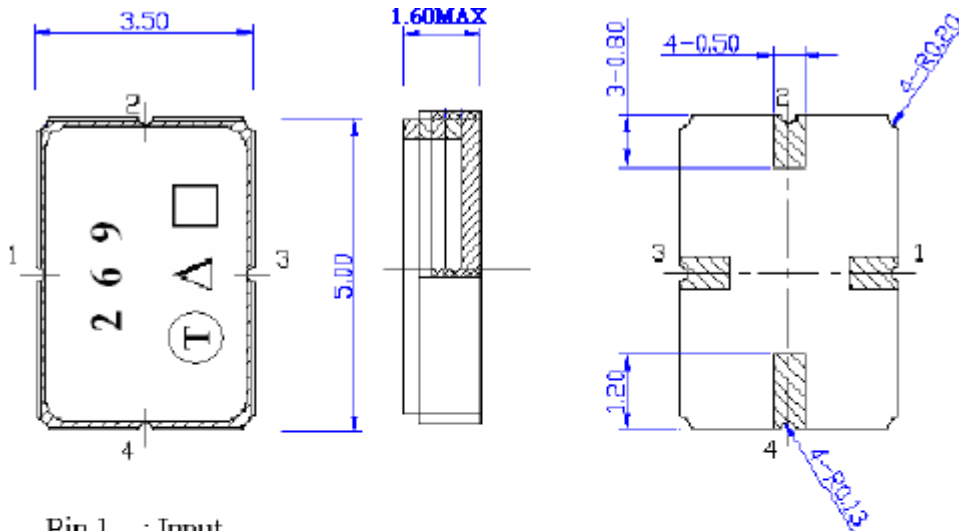
Characteristic	Units	Min.	Typ.	Max.
Center frequency F_c	MHz	433.845	433.920	433.995
Insertion Loss IL	dB	-	1.2	1.7
Ageing of F_c	ppm/yr	-	-	± 10
Equivalent Circuit Model				
Motional capacitance C_1	fF	-	1.79	-
Motional inductance L_1	μH	-	75.72	-
Motional resistance R_1	Ω	-	14.3	23
Parallel capacitance C_0	pF	-	3.2	-
Frequency Temperature coefficient (TC_f)	ppm/c*2	-	0.032	-
Turnover T_0	$^\circ\text{C}$	5	15	25

Temperature dependence of F_c : $F_c(T_A) = F_c(T_0) (1 + TC_f(T_A - T_0)^2)$

SAW Resonator 433.920MHz
Part No: MP01670

Model: TC0269A
Rev No: 2

D. OUTLINE DRAWING:



Pin 1 : Input
 Pin 3 : Output
 Pin 2,4 : Ground

Year	2007 2009	2008 2010
Year Code	C	c

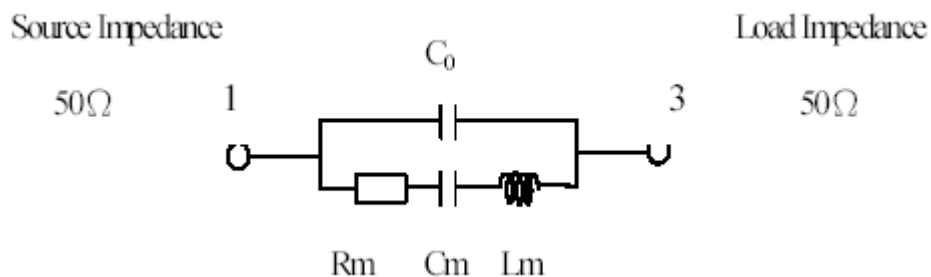
△ : Year Code

□ : Data Code(Follow Provided by planer each year)the table

WK	01	02	...	26	27	28	...	S2
Code	A	B	...	Z	a	b	...	z

E. EQUIVALENT CIRCUIT:

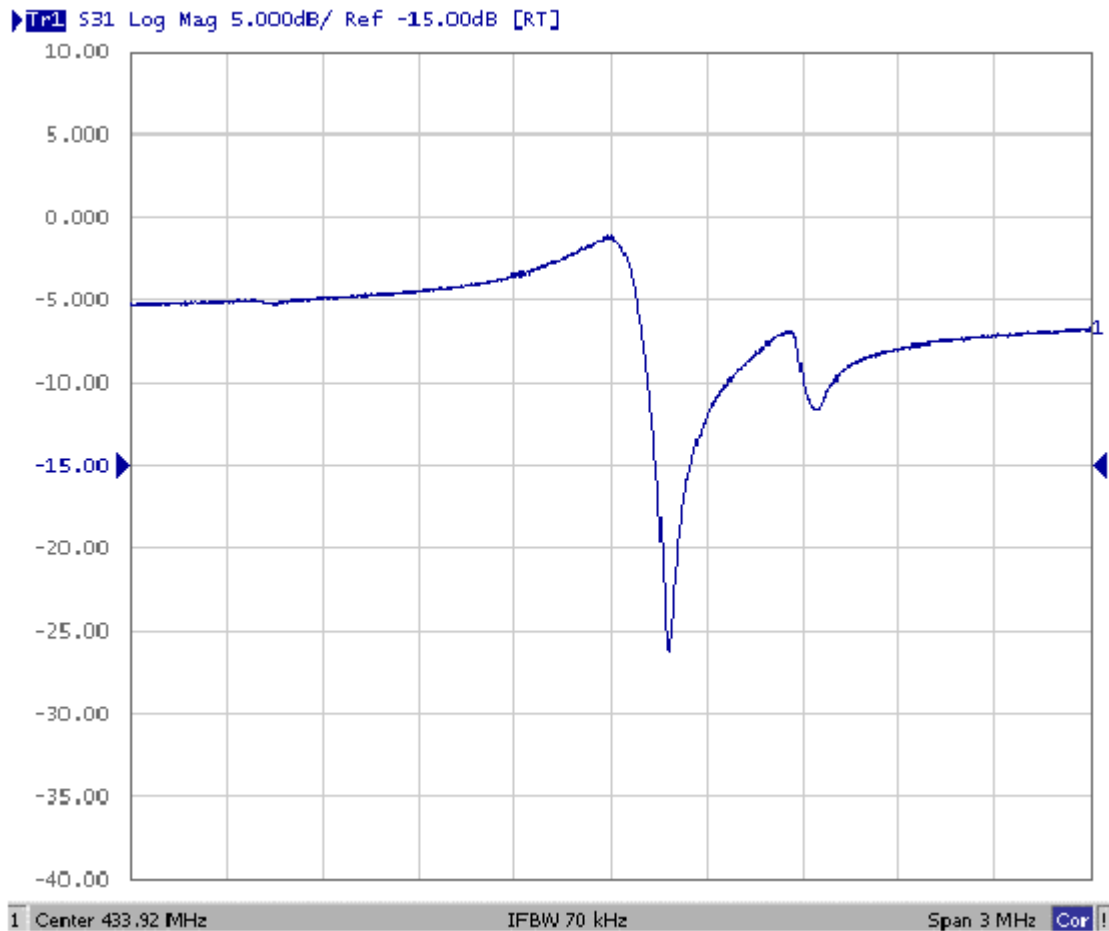
1 - Port Resonator



SAW Resonator 433.920MHz
Part No: MP01670

Model: TC0269A
Rev No: 2

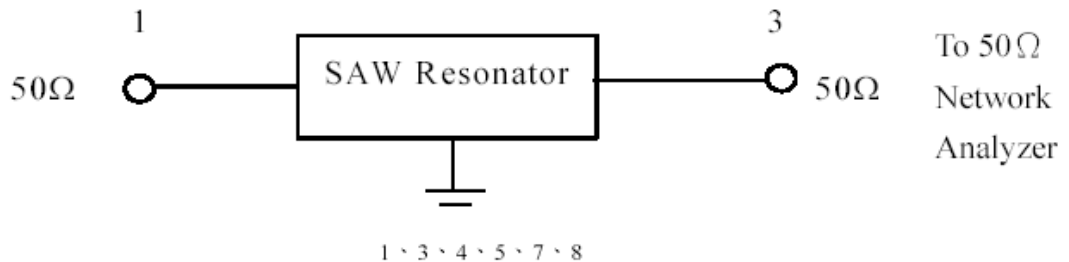
F. FREQUENCY CHARACTERISTICS:



G. TEST CIRCUIT:

Network analyzer

From 50Ω
Network
Analyzer

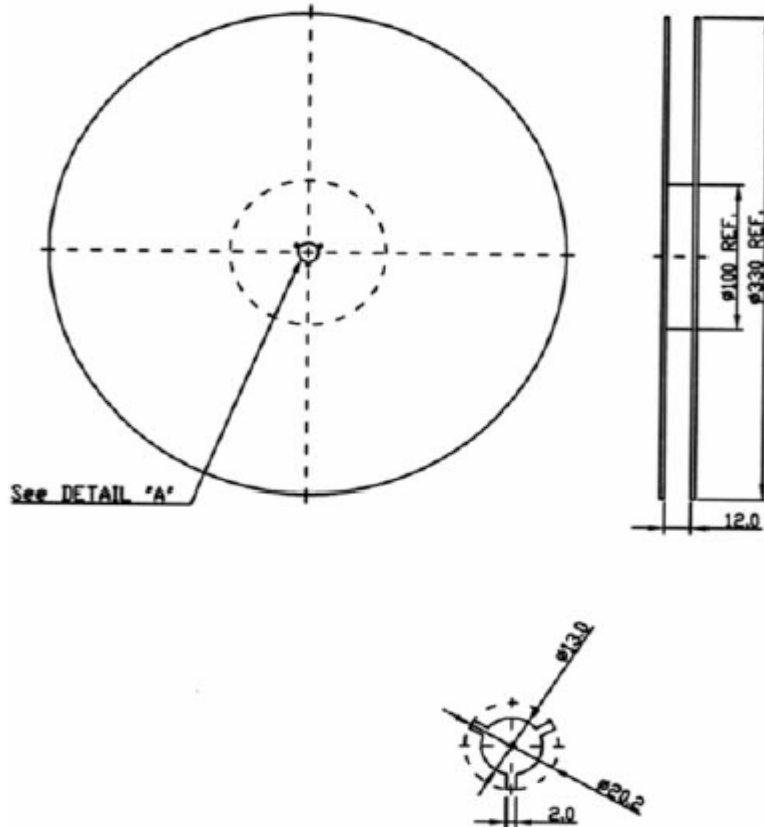


SAW Resonator 433.920MHz
Part No: MP01670

Model: TC0269A
Rev No: 2

H. PACKING:

1. REEL DIMENSION



2. TAPE DIMENSION

