

SAW Filter 38.90MHz

Model: TB0612A

Part No: MP01600

REV. NO.: 1

A. FEATURES:

1. IF Filter for Audio Applications

B. MAXIMUM RATING:

| | | | | |
|-----------------------------|-----------|--------|----|-----------------------|
| Operating Temperature Range | T_A | -25~65 | °C | |
| Storage Temperature Range | T_{stg} | -40~85 | °C | |
| DC voltage | V_{DC} | 12 | V | Between any terminals |
| AC voltage | V_{PP} | 10 | V | Between any terminals |

C. ELECTRICAL CHARACTERISTICS:

Reference temperature: $T_a=25^{\circ}C$

Terminating source impedance $Z_S=50\Omega$

Terminating load impedance $Z_L=2k\Omega//3\text{ pF}$

| FREQUENCY(MHz) | | VALUE | | | unit |
|--|-----------------|-------------|------|------|-----------------|
| | | Min | Typ. | Max. | |
| Insertion attenuation | 33.05 MHz | 8.2 | 10.2 | 12.2 | dB |
| Reference Frequency | 33.05 MHz | | 0 | | |
| Picture carrier | 38.90 MHz | 40.0 | 50.0 | - | dB |
| Color carrier | 34.47MHz | 26.0 | 32.0 | - | dB |
| Sound carrier | 33.40MHz | -0.6 | 1.4 | 3.4 | dB |
| Adjacent picture carrier | 30.90 MHz | 31.0 | 35.0 | - | dB |
| | 31.90 MHz | 30.0 | 37.0 | - | dB |
| Adjacent sound carrier | 40.40 MHz | 40.0 | 48.0 | - | dB |
| | 41.40 MHz | 40.0 | 46.0 | - | dB |
| Lower sidelobe: | 25.00-31.90 MHz | 30.0 | 35.0 | - | dB |
| Upper sidelobe: | 40.40-45.00 MHz | 37.0 | 42.0 | - | dB |
| Reflected wave signal suppression | | 42.0 | 48.0 | - | dB |
| Feedthrough signal suppression | | 50.0 | 55.0 | - | dB |
| Group delay predistortion (reference frequency 38.90MHz | | - | -65 | - | ns |
| 36.50MHz | | | | | |
| 34.47MHz | | | | | |
| Impedance at 37.40 MHz | | | | | |
| Input Impedance | | 1.1 18.4 | | | $k\Omega pF$ |
| Output Impedance | | 1.6 4.1 | | | $k\Omega pF$ |
| Temperature coefficient | TC | - | -72 | - | ppm/K |

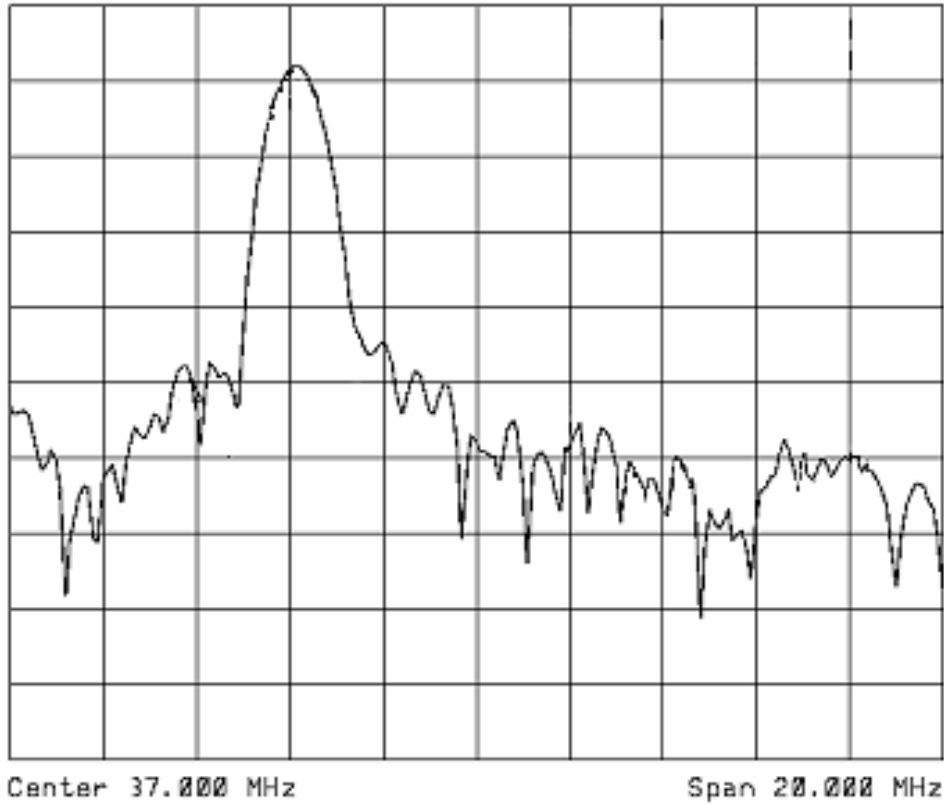
SAW Filter 38.90MHz

Model: TB0612A

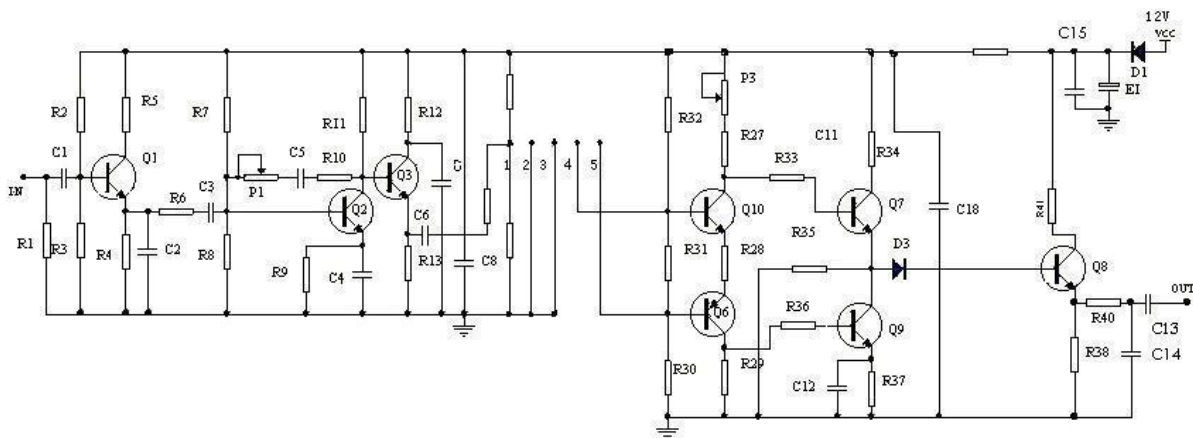
Part No: MP01600

REV. NO.: 1

D.FREQUENCY CHARACTERISTICS:



.TEST CIRCUIT



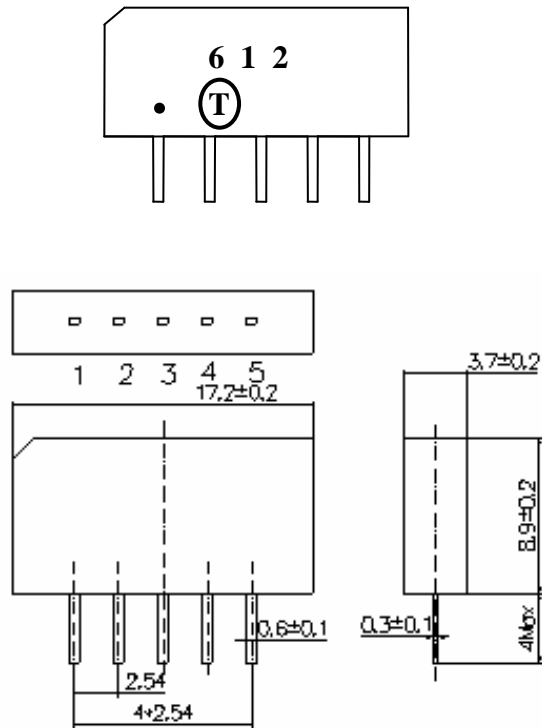
SAW Filter 38.90MHz

Model: TB0612A

Part No: MP01600

REV. NO.: 1

E. OUTLINE DRAWING:



| Pin No. | Functions |
|---------|-----------------------|
| 1. | Input |
| 2. | Input - ground |
| 3. | Chip carrier - ground |
| 4. | Output |
| 5. | Output |