

SAW Resonator 462.5375MHz

Model: TC0283A

Part No: MP01569

REV. NO.:1

A. FEATURES:

- 1-Port Resonator.

B. MAXIMUM RATING:

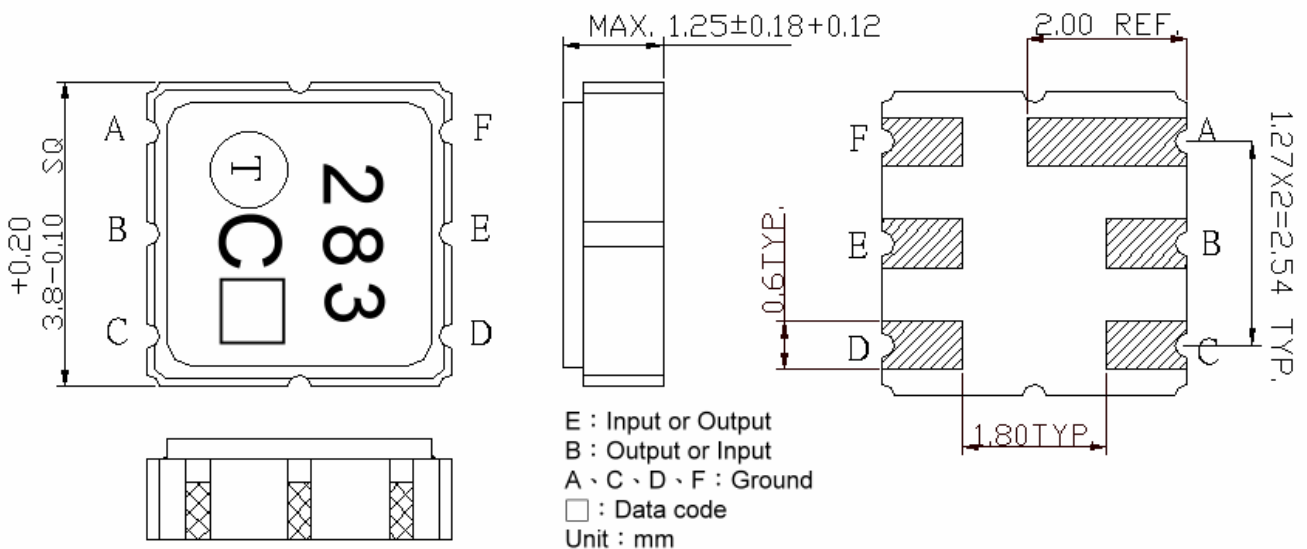
1. Input Power Level: 0 dBm
2. DC voltage: 12 V
3. Operating Temperature: -40°C to +85°C
4. Storage Temperature: -40°C to +85°C

C. ELECTRICAL CHARACTERISTICS:

Characteristic	Units	Minimum	Typical	Maximum
Center frequency Fr	MHz	462.4375	462.5375	462.6375
Insertion Loss IL	dB	-	1.61	2.5
Equivalent Elements				
Motional capacitance C1	fF	-	1.21	-
Motional inductance L1	μH	-	97.72	-
Motional resistance R1	Ohm	-	24.2	-
Parallel capacitance Co	pF	-	2.45	-
Temp.coeff.	ppm/c*2	-	0.032	-
Turnover To	deg.C	10		40
Package size		SMD3.8X3.8X1.4 mm		

Temperature dependence of fc: $fc(T_A) = fc(T_O)(1 + TC_f(T_A - T_O)^2)$

D. OUTLINE DRAWING:

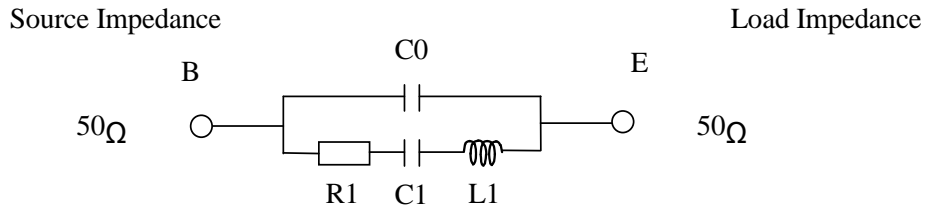


SAW Resonator 462.5375MHz
Part No: MP01569

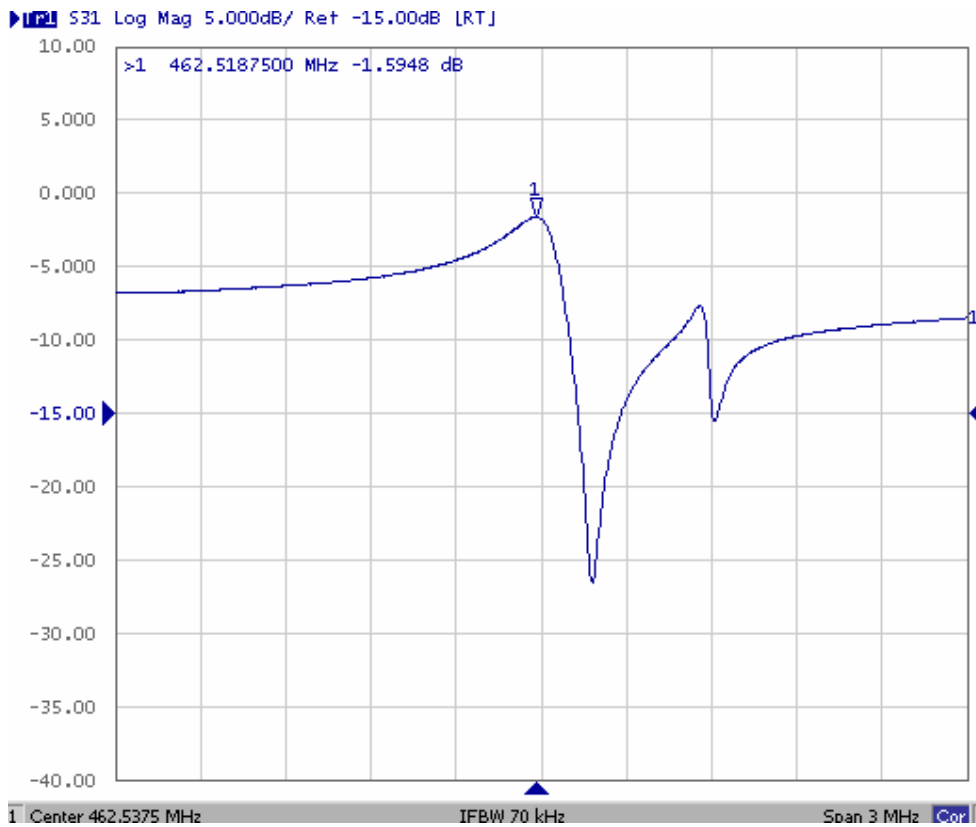
Model: TC0283A
REV. NO.:1

E. EQUIVALENT CIRCUIT:

One-Port Resonator:



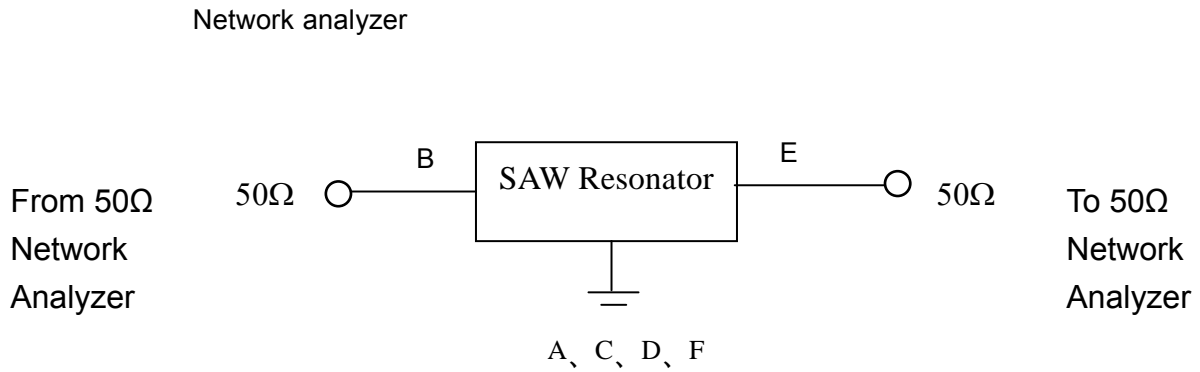
F. FREQUENCY CHARACTERISTICS:



SAW Resonator 462.5375MHz
Part No: MP01569

Model: TC0283A
REV. NO.:1

G. TEST CIRCUIT:



H. PCB FOOTPRINT:

