

**SAW Filter 290.0MHz**

**Model: TA0544A**

**Part No: MP01557**

**REV. NO.: 1**

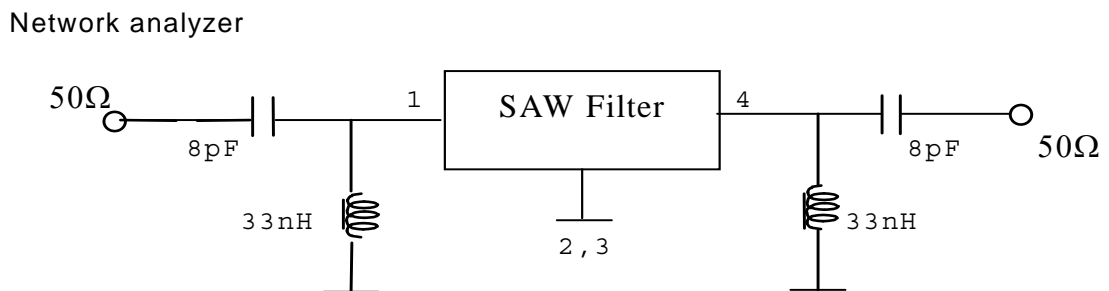
**A. MAXIMUM RATING:**

1. Input Power Level: 5 dBm
2. DC voltage: 3 V
3. Operating Temperature: -10°C to +50°C
4. Storage Temperature: -40°C to +85°C

**B. ELECTRICAL CHARACTERISTICS:**

Item	Min.	Typ.	Max.
Center frequency $F_C$ (MHz)	-	290	-
I.L. (Within $F_C \pm 3.5\text{MHz}$ ) (dB)	-	2.7	4.5
Ripple (Within $F_C \pm 3.5\text{MHz}$ ) (dB)	-	0.7	2.0
Attenuation: ( Reference level from 0 dB)			
$F_C - 100\text{MHz}$ to $-37.5\text{MHz}$ (dB)	40	54	-
$F_C + 37.5\text{MHz}$ to $+ 100\text{MHz}$ (dB)	40	64	-

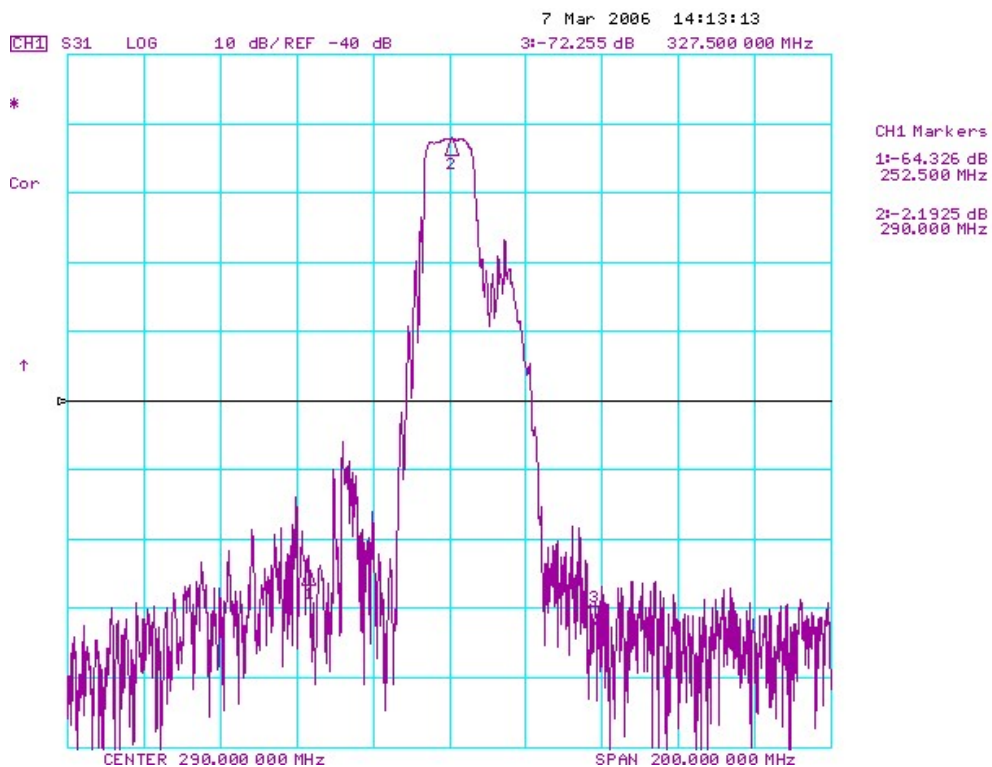
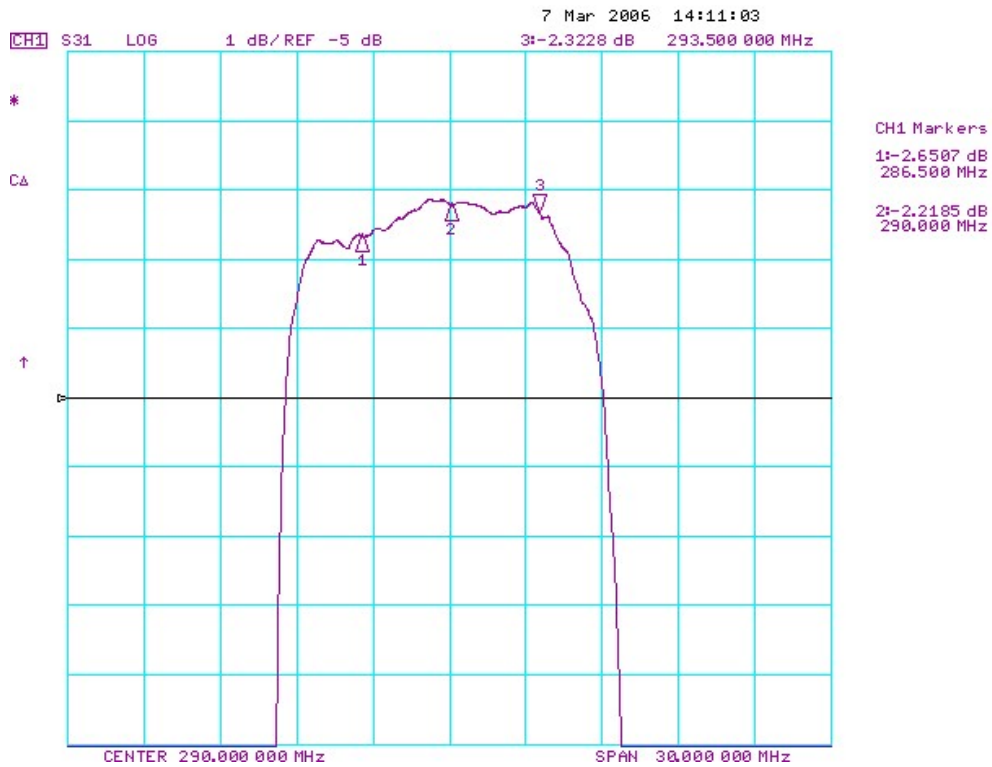
**C. MEASUREMENT CIRCUIT:**



**SAW Filter 290.0MHz**  
**Part No: MP01557**

**Model: TA0544A**  
**REV. NO.: 1**

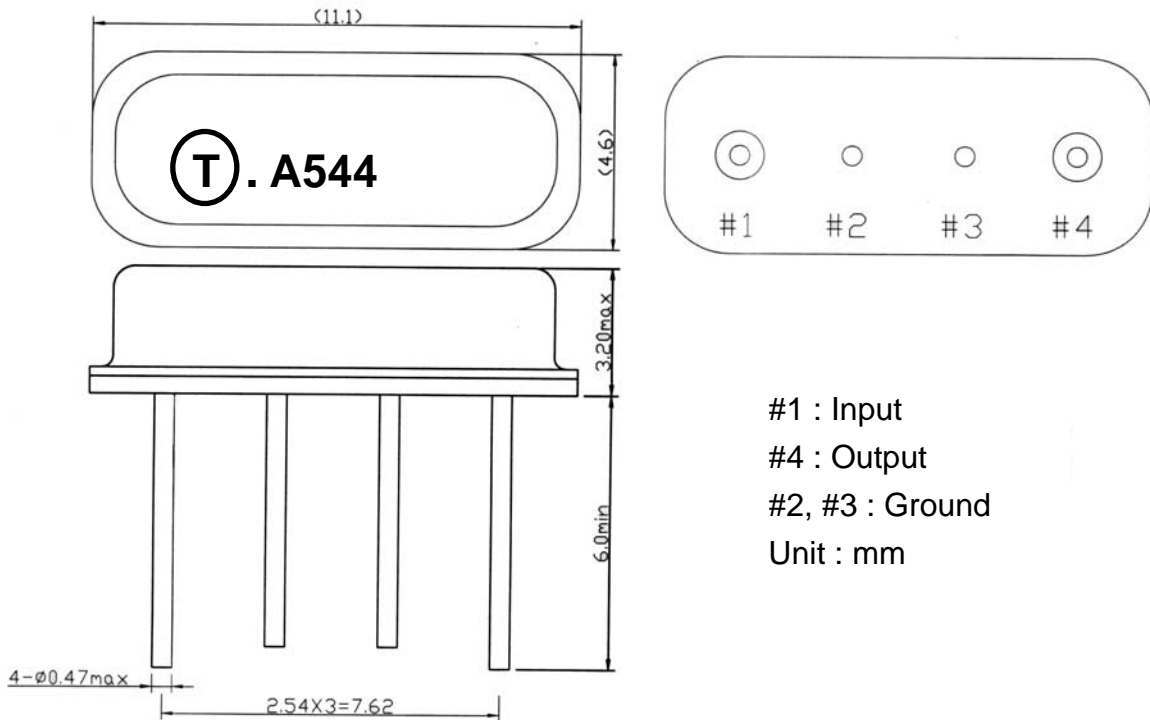
**D. TRANSFER FUNCTION:**



**SAW Filter 290.0MHz**  
**Part No: MP01557**

**Model: TA0544A**  
**REV. NO.: 1**

**E. OUTLINE DRAWING:**



**F. RECOMMENDED REFLOW PROFILE:**

