

**SAW Filter 110.00MHz**

**Model: TB0681A**

**Part No: MP01327**

**REV. NO.: 1**

**A. MAXIMUM RATING:**

1. Operating Temperature: -10°C ~ 50°C
2. Storage Temperature: -40°C ~ +85°C
3. Input Power Level : 10dBm

**B. CHARACTERISTICS:**

1. Ambient Temperature: 25°C

Characteristics	Value			Note
	Min.	Typ.	Max.	
Center frequency $F_C$ MHz	-	110	-	-
Minimum Insertion loss I.L. dB	-	7.8	12	-
1 dB Bandwidth KHz	-	297	-	-
3 dB Bandwidth KHz	200	450	-	-
Group Delay Ripple ( $F_C \pm 100\text{KHz}$ ) nsec	-	60	400	-
Relative Rejection (Reference to Minimum Insertion loss)				
1) $F_C \pm 1.0\text{MHz}$ dB	15	30	-	-
2) $F_C \pm 4.0\text{MHz}$ dB	35	40	-	-
Temp Coefficient ppm/K <sup>2</sup>	-	-0.036	-	-

**SAW Filter 110.00MHz**

**Model: TB0681A**

**Part No: MP01327**

**REV. NO.: 1**

**C. FREQUENCY CHARACTERISTICS:**

1. S21 Response

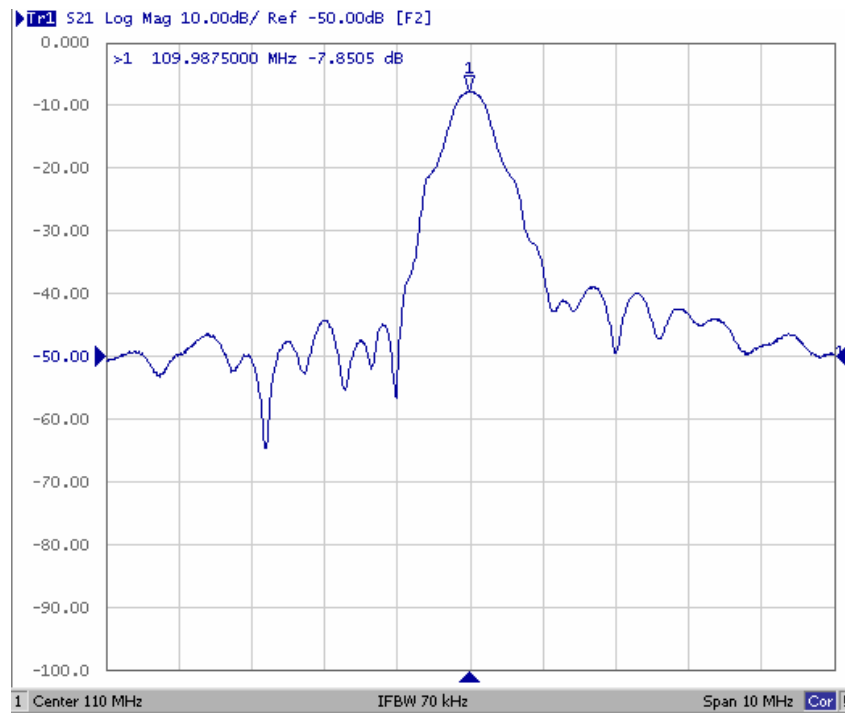


Fig1. Horizontal: 1MHz/Div Vertical: 10dB/Div

2. Passband Response and Group Delay Response

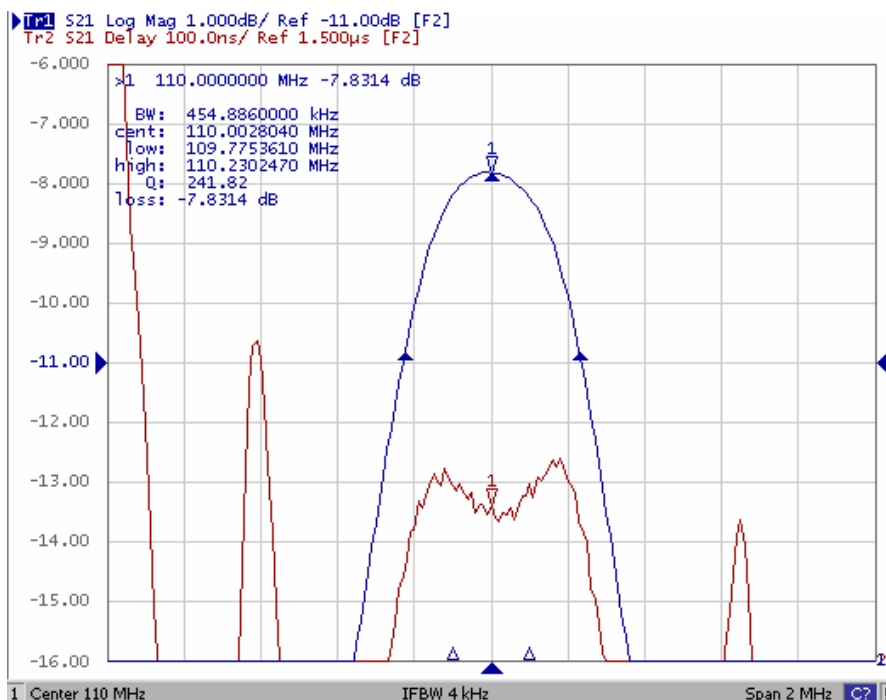


Fig2. Horizontal: 0.2MHz/Div Vertical 1: 1dB/Div. Vertical 2: 100nS/Div

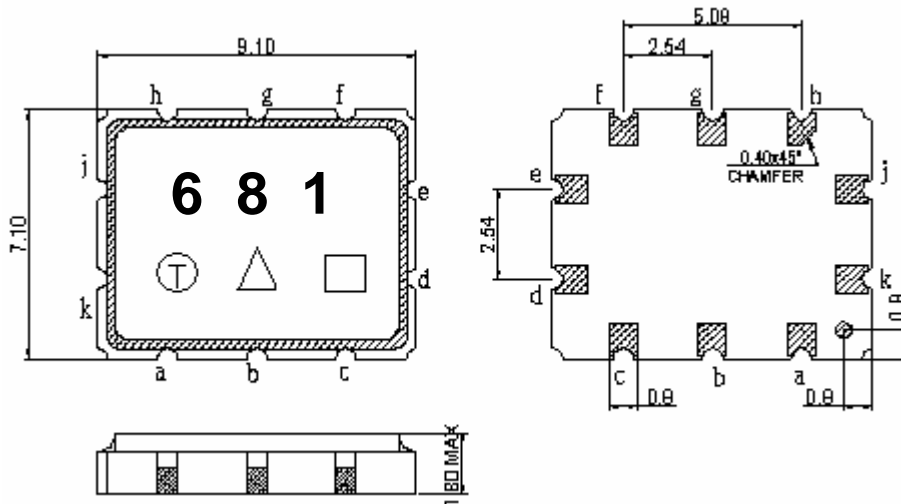
**SAW Filter 110.00MHz**

**Model: TB0681A**

**Part No: MP01327**

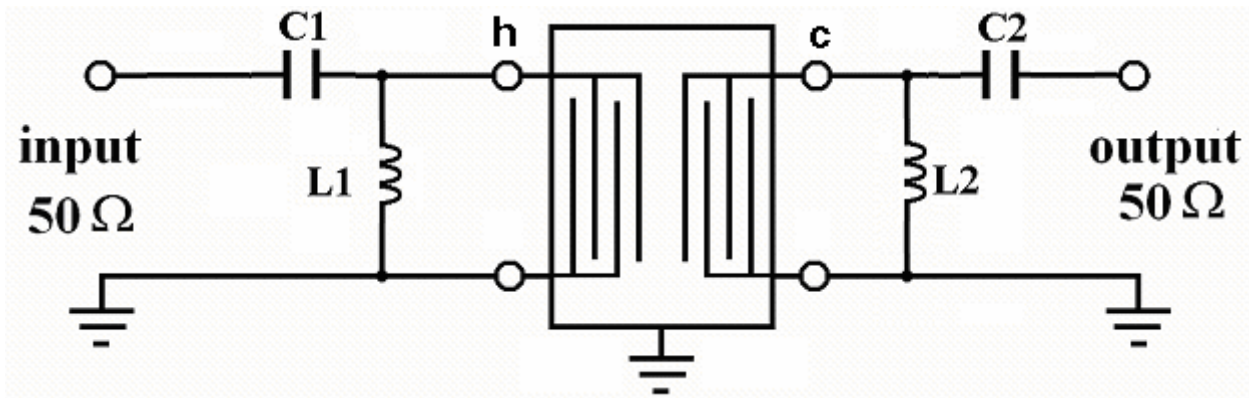
**REV. NO.: 1**

**D. OUTLINE DRAWING:**



Pin h: RF Input  
 Pin c: RF Output  
 Pin a, b, c, d, e, f, g, j, k : To be ground  
 Unit : mm

**D. MATCHING CIRCUIT:**



L1=82nH, C1=8pF, L2=100nH, C2=8pF

