

**SAW Filter 86.60MHz**

**Model: TB0497A**

**Part No: MP01294**

**REV. NO.: 1**

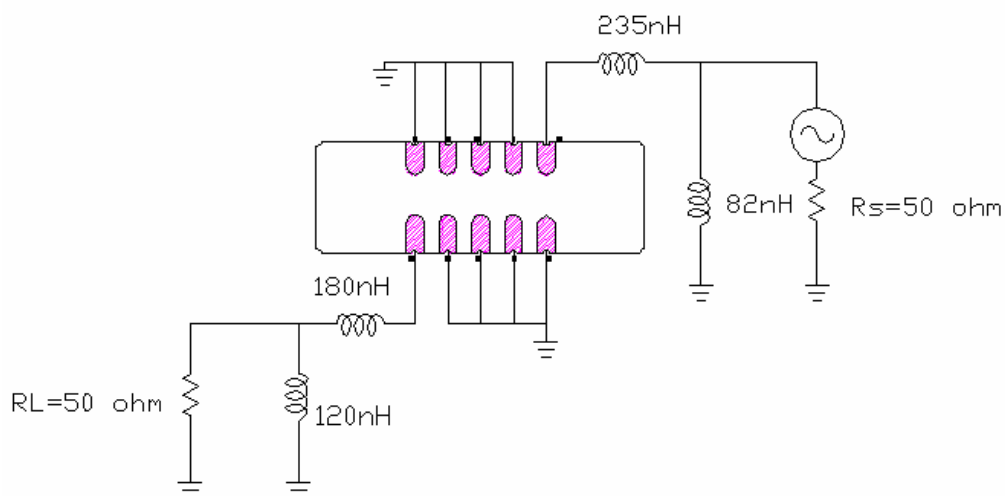
**A. MAXIMUM RATING:**

1. Input Power Level : 20 dBm
2. Operating Temperature: -40°C to 85°C
3. Storage Temperature: -40°C to 85°C

**B. ELECTRICAL CHARACTERISTICS:**

Item	Unit	Min.	Typ.	Max.	Note
Center frequency, <b>F<sub>c</sub></b>	MHz	-	86.6	-	-
Minimum Insertion Loss, <b>IL</b>	dB	-	5.5	6.5	-
Lower 3.5 dB point	MHz	86.40	86.41		-
Upper 3.5 dB point	MHz		86.75	86.80	-
Lower 28 dB point	MHz	85.80	86.18		-
Upper 28 dB point	MHz		86.98	87.40	-
Amplitude Ripple	MHz	-	0.7	1.0	-
Group delay ripple	ns	-	70	200	-
Ultimate Rejection	dB	33	40	-	-
VSWR	-	-	1.6:1	2.0:1	-
Substrate Material	-	-	Quartz	-	-

**C. MEASUREMENT CIRCUIT:**



**SAW Filter 86.60MHz**  
**Part No: MP01294**

**Model: TB0497A**  
**REV. NO.: 1**

**D. FREQUENCY CHARACTERISTICS:**

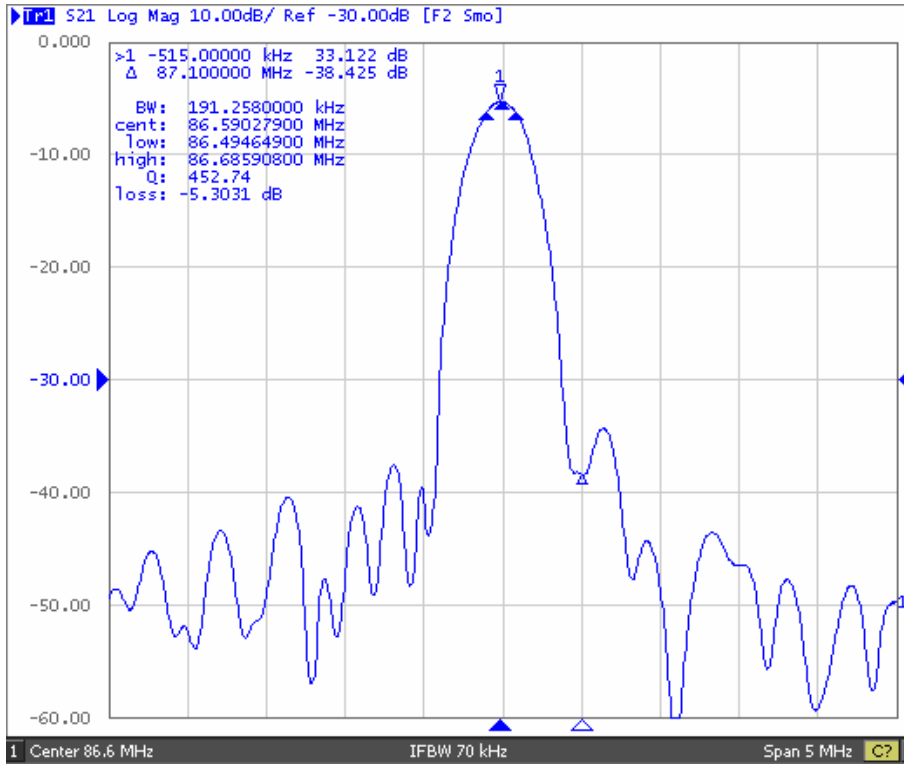


Fig-1 S21 Response Horizontal: 0.5MHz/Div Vertical: 10dB/Div

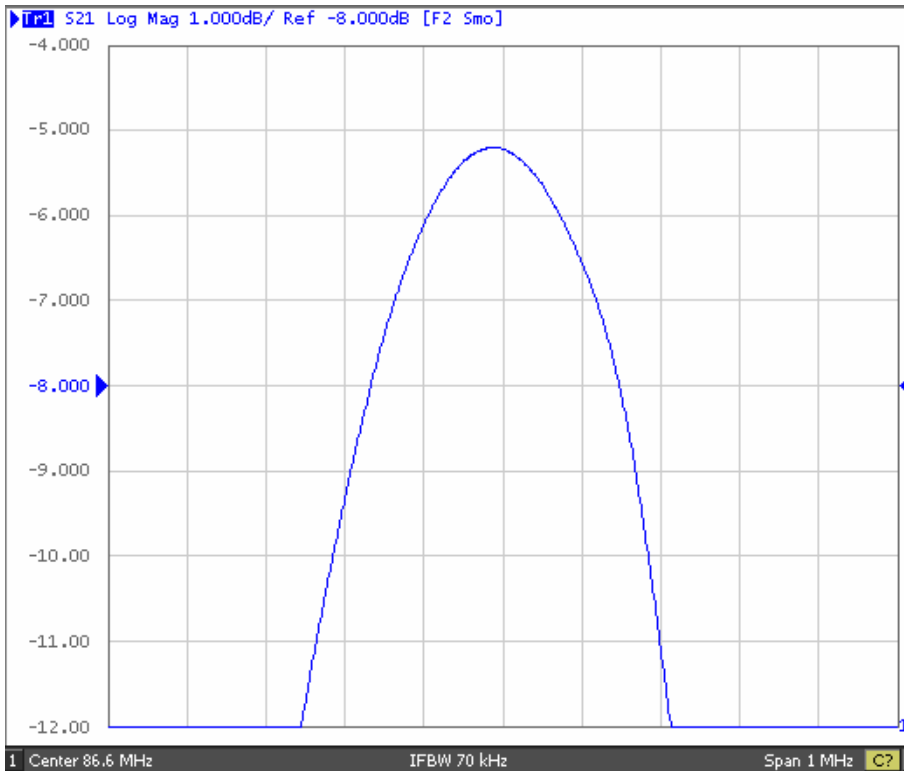


Fig-2 Amplitude Ripple Horizontal: 0.1MHz/Div Vertical: 1dB/Div

**SAW Filter 86.60MHz**  
**Part No: MP01294**

**Model: TB0497A**  
**REV. NO.: 1**

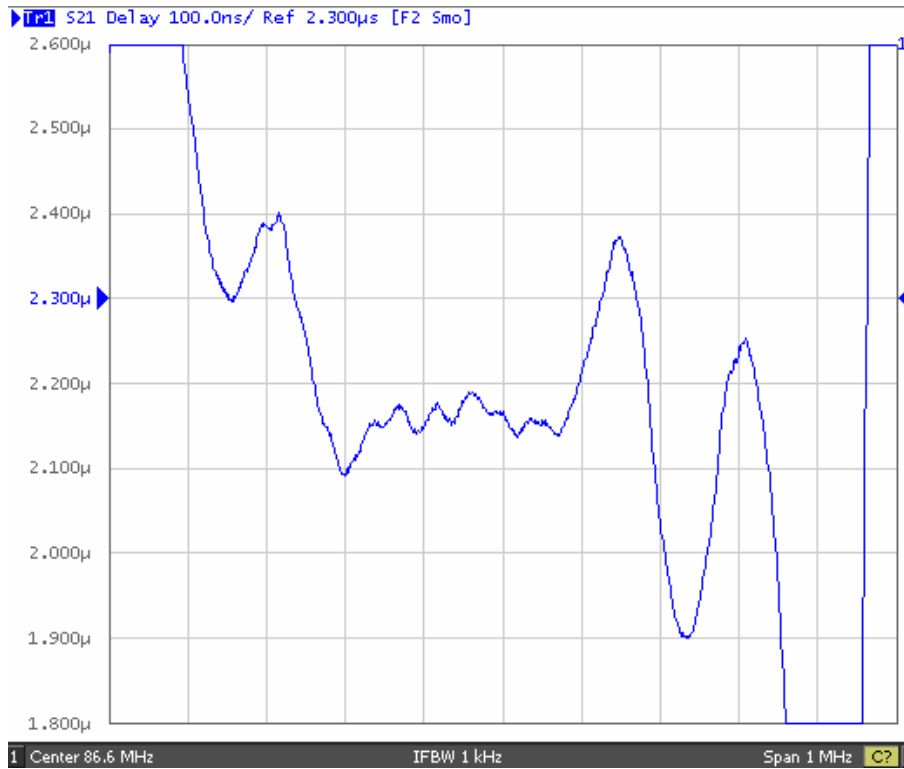


Fig-3 Group Delay Ripple: Horizontal: 0.1MHz/Div Vertical:100nS/Div

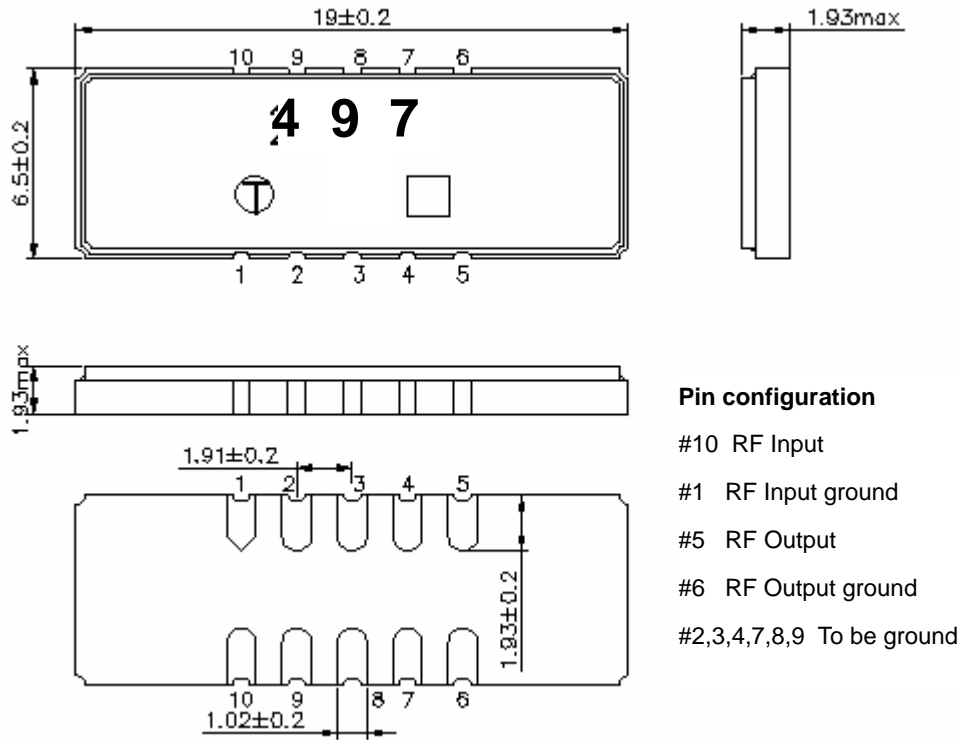
**SAW Filter 86.60MHz**

**Model: TB0497A**

**Part No: MP01294**

**REV. NO.: 1**

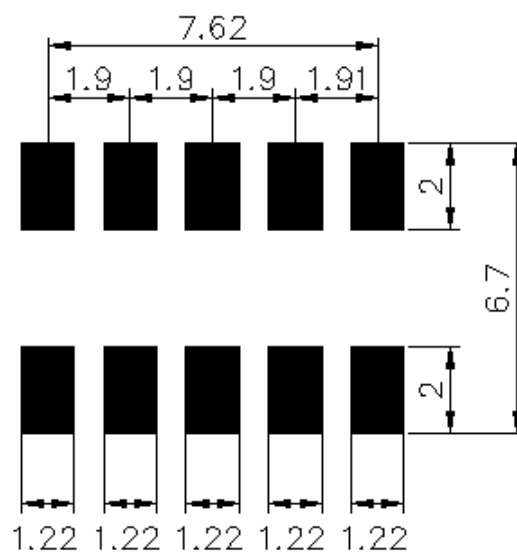
**E. OUTLINE DRAWING :**



**Pin configuration**

- #10 RF Input
- #1 RF Input ground
- #5 RF Output
- #6 RF Output ground
- #2,3,4,7,8,9 To be ground

**F. PCB FOOTPRINT:**

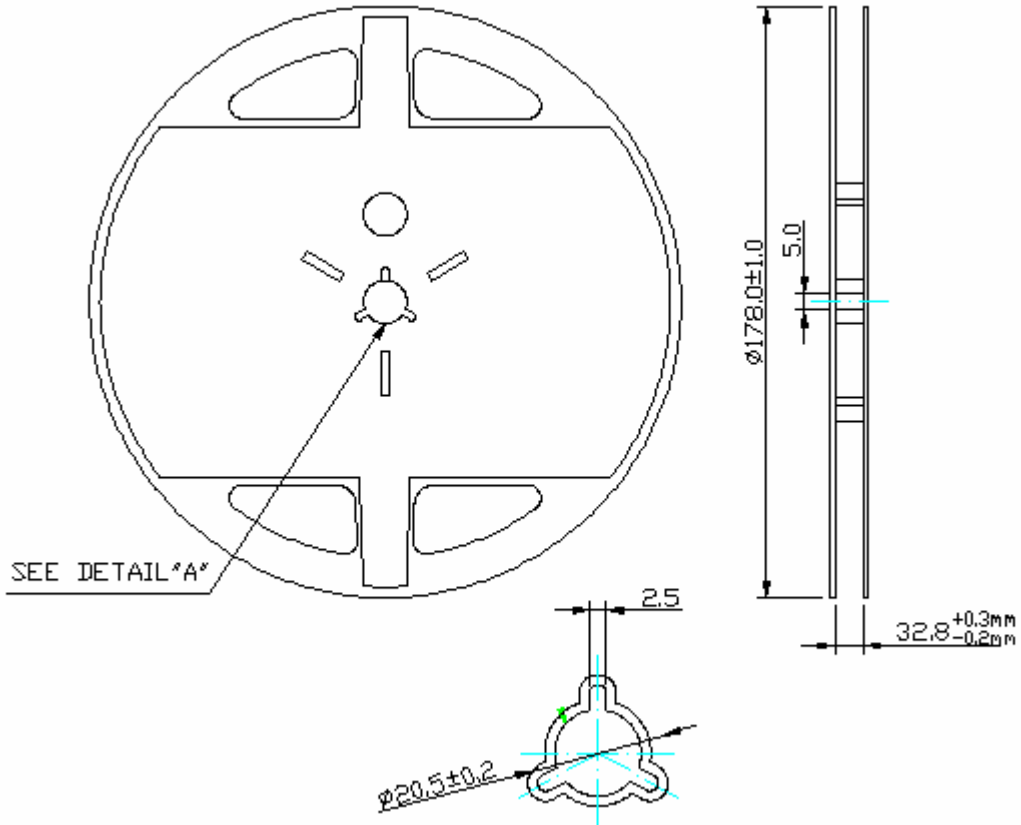


**SAW Filter 86.60MHz**  
**Part No: MP01294**

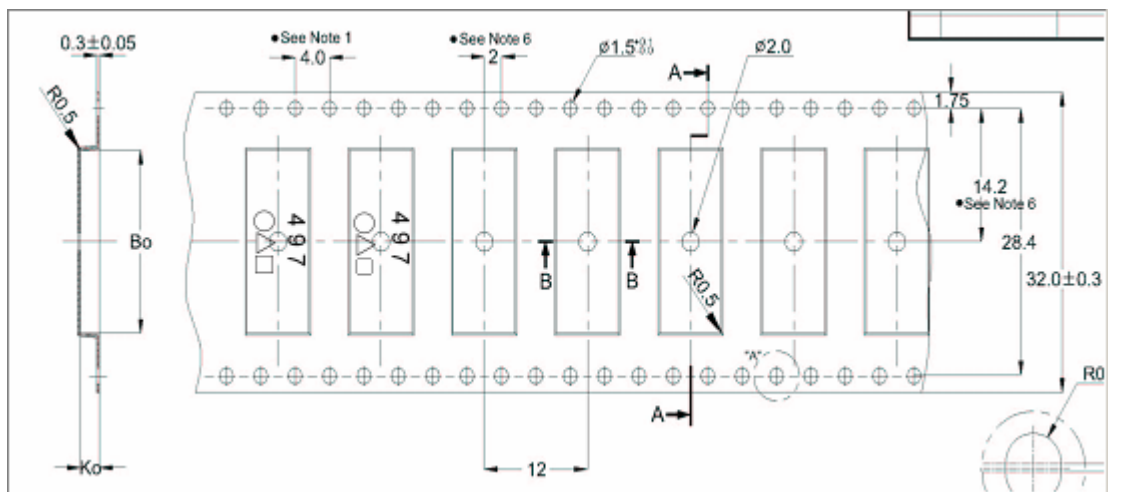
**Model: TB0497A**  
**REV. NO.: 1**

**G. PACKAGE:**

**1. REEL DIMENSION**



**2. TAPE DIMENSION**



Direction of feed

