

SAW Filter 312.150MHz

Model: TA0365A

Part No: MP01171

REV NO.:1

A. MAXIMUM RATING:

1. Input Power Level: 10 dBm
2. DC voltage: 6 V
3. Operating Temperature: -40°C to +85°C
4. Storage Temperature: -40°C to +85°C

B. ELECTRICAL CHARACTERISTICS:

TA= -40°C to +85°C

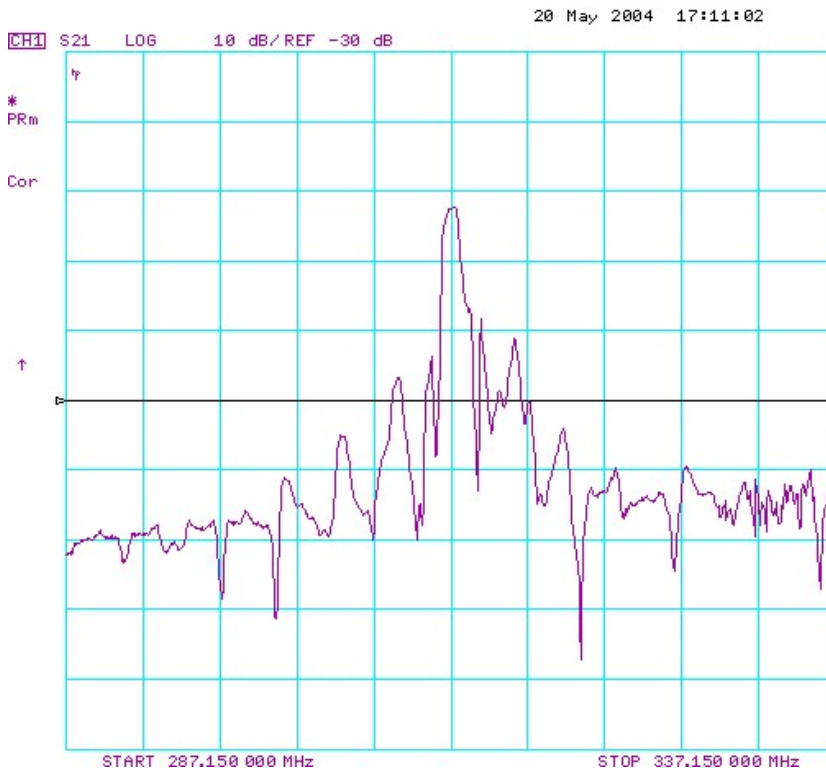
Item	Min.	Typ.	Max.	Note
Center frequency F_c (MHz)	-	312.15	-	1
Minimum I.L. (311.97~312.37 MHz) (dB) IL_{min}	-	2.4	4.0	
Pass band (relative to IL_{min})				
311.92~312.35 MHz (dB)	-	1.5	3.0	1
311.86~312.41 MHz (dB)	-	2.0	6.0	
Pass bandwidth (relative to IL_{min}) BW_3 (KHz)	800	950	-	
Attenuation:(relative to IL_{min}) (dB)				
10~270 MHz (dB)	45	50	-	1
270~306 MHz (dB)	30	35	-	
306~311.09 MHz (dB)	15	20	-	
313.2~332 MHz (dB)	10	15	-	
332~400 MHz (dB)	35	40	-	
400~1000 MHz (dB)	45	50	-	
Impedance at F_c ; Input $Z_{IN}=R_{IN}/C_{IN}$ Output $Z_{OUT}=R_{OUT}/C_{OUT}$	362Ω // 5.1 pF 362Ω // 5.1 pF			

Note1. The standard definitions is in JIS C 6703

SAW Filter 312.150MHz
Part No: MP01171

Model: TA0365A
REV NO.:1

C..FREQUENCY CHARACTERISTICS:

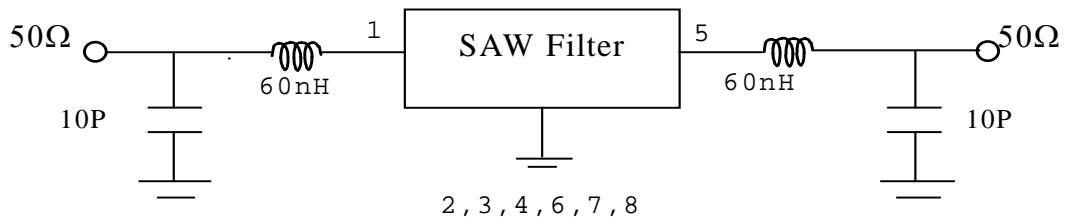


SAW Filter 312.150MHz
Part No: MP01171

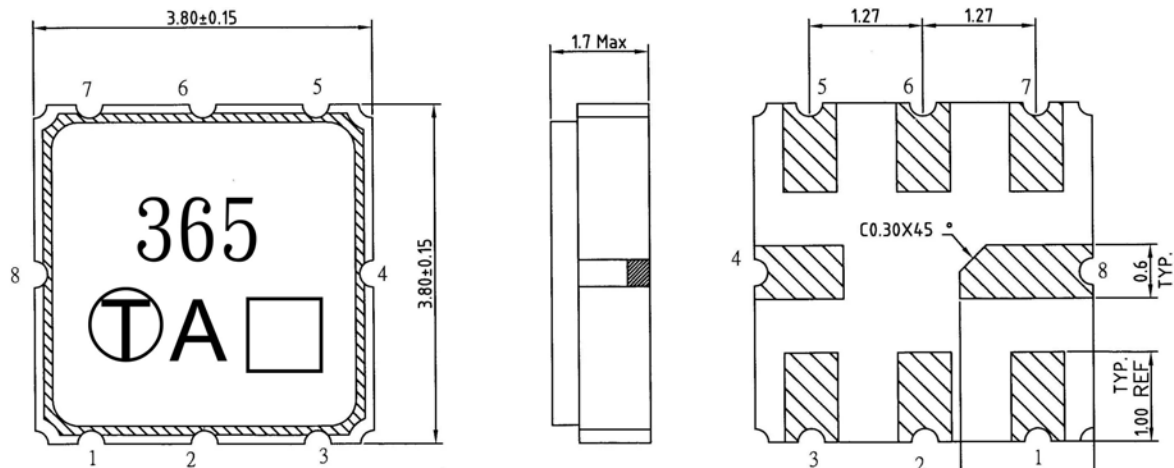
Model: TA0365A
REV NO.:1

D. MEASUREMENT CIRCUIT:

HP Network analyzer



E. OUTLINE DRAWING:



- #1 : Input or Input Ground
 - #2 : Input Ground or Input
 - #5 : Output
 - #6 : Output Ground
 - #4、8 : Case Ground
 - #3、7 : Ground
 - : Date code
- Unit : mm

SAW Filter 312.150MHz

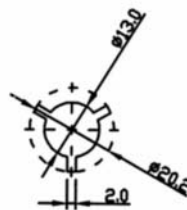
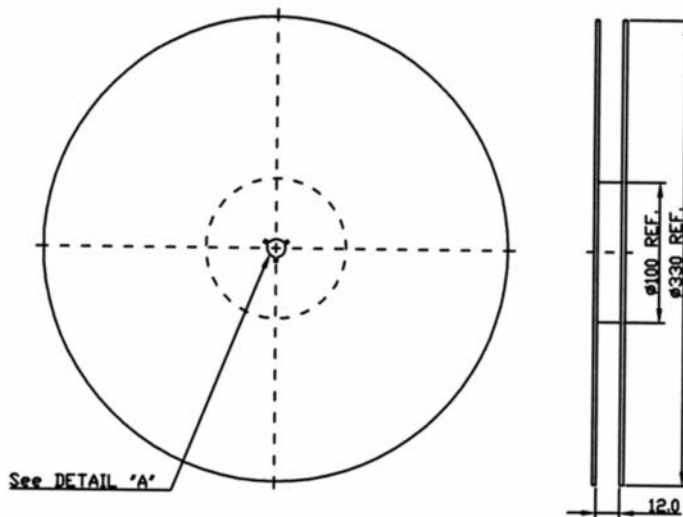
Model: TA0365A

Part No: MP01171

REV NO.:1

F. PACKING:

1. REEL DIMENSION



2. TAPE DIMENSION

