

SAW Filter 311.040MHz

Model: TA0499A

Part No: MP01170

REV NO.:1

A. MAXIMUM RATING:

1. Input Power Level: 0 dBm
2. DC voltage: 5 V
3. Operating Temperature: -40°C to +85°C
4. Storage Temperature: -40°C to +85°C

B. ELECTRICAL CHARACTERISTICS:

TA= -40°C to +85°C

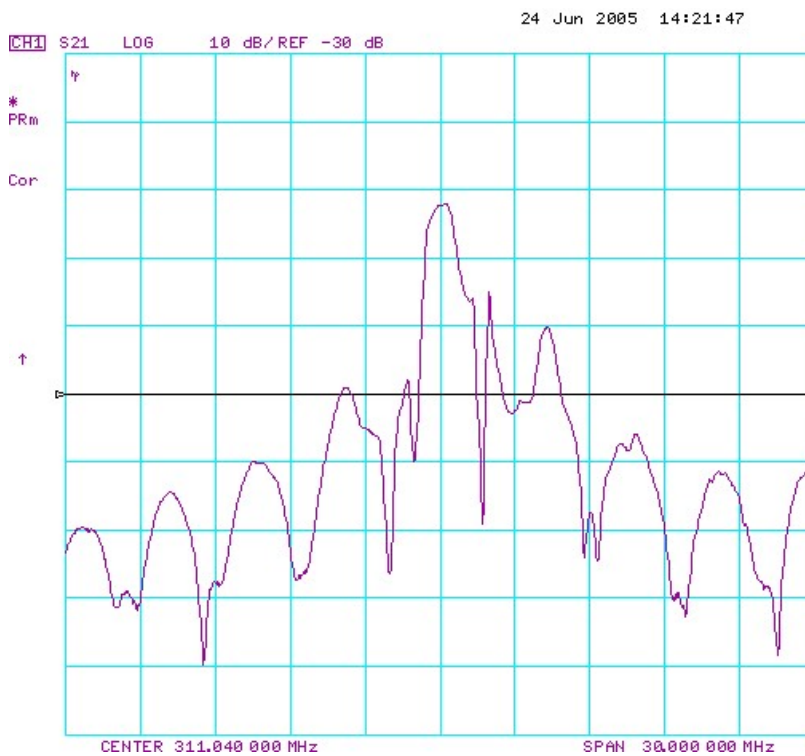
Item	Min.	Typ.	Max.	Note
Center frequency F_c (MHz)	-	311.04	-	1
Minimum I.L. (310.86~311.26 MHz) (dB) IL_{min}	-	2.2	4.0	
Pass band (relative to IL_{min})				
310.81~311.24 MHz (dB)	-	1.5	3.0	1
310.75~311.3 MHz (dB)	-	2.0	6.0	
Pass bandwidth (relative to IL_{min}) BW_3 (KHz)	800	950	-	
Attenuation:(relative to IL_{min}) (dB)				
10~270 MHz (dB)	45	50	-	1
270~305 MHz (dB)	30	35	-	
305~309.89 MHz (dB)	15	20	-	
312~331 MHz (dB)	10	15	-	
331~400 MHz (dB)	35	40	-	
400~1000 MHz (dB)	45	50	-	

Note1. The standard definitions is in JIS C 6703

SAW Filter 311.040MHz
Part No: MP01170

Model: TA0499A
REV NO.:1

C. FREQUENCY CHARACTERISTICS:



SAW Filter 311.040MHz

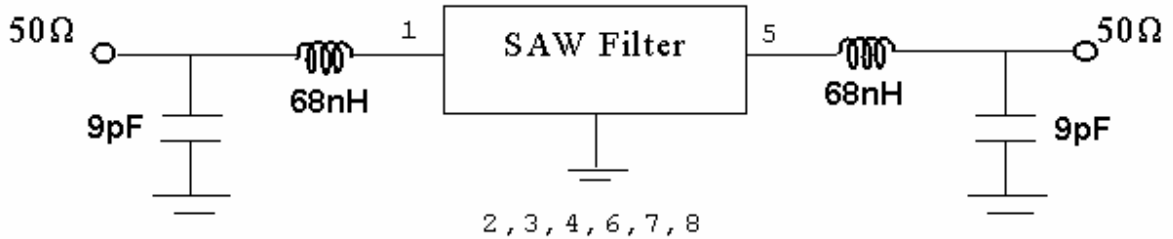
Model: TA0499A

Part No: MP01170

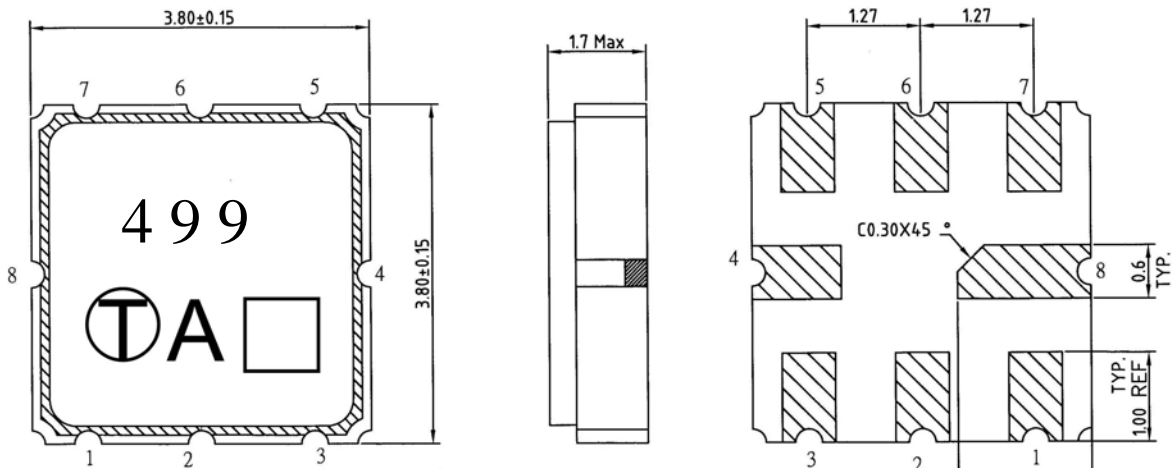
REV NO.:1

D. MEASUREMENT CIRCUIT:

HP Network analyzer



E. OUTLINE DRAWING:



- #1 : Input or Input Ground
 - #2 : Input Ground or Input
 - #5 : Output
 - #6 : Output Ground
 - #4、8 : Case Ground
 - #3、7 : Ground
 - : Date code
- Unit : mm

SAW Filter 311.040MHz

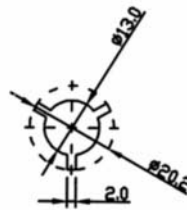
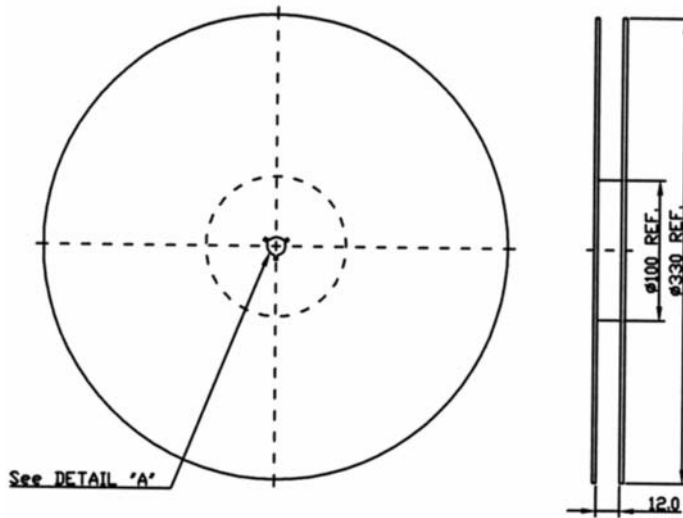
Model: TA0499A

Part No: MP01170

REV NO.:1

F. PACKING:

1. REEL DIMENSION



2. TAPE DIMENSION

