
SAW Filter 81.0MHz

Model: TB0646A

Part No: MP01100

REV. NO.: 1

A. MAXIMUM RATING:

1. Storage Temperature: -40°C to 85°C
2. Operating Temperature: -20°C to 70°C

B. CHARACTERISTICS:

Item	Unit	Min.	Typ.	Max.
Center frequency, Fc	MHz	-	81	-
Insertion Loss 54 to 108 MHz	dB	-	19.7	25
Passband Variation 54 to 108 MHz	MHz	-	1.0	3.0
Relative Attenuation at 42 MHz	dB	10	46	-
Relative Attenuation at 114 MHz	dB	10	40	-
Temp Coefficient	ppm/K	-	-76	-

SAW Filter 81.0MHz

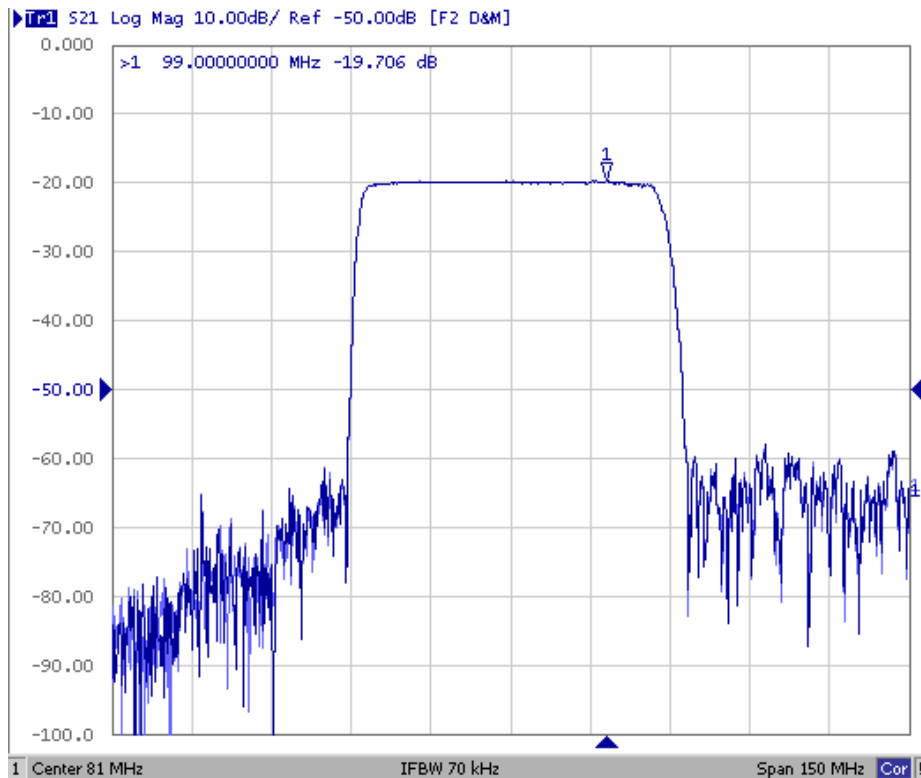
Model: TB0646A

Part No: MP01100

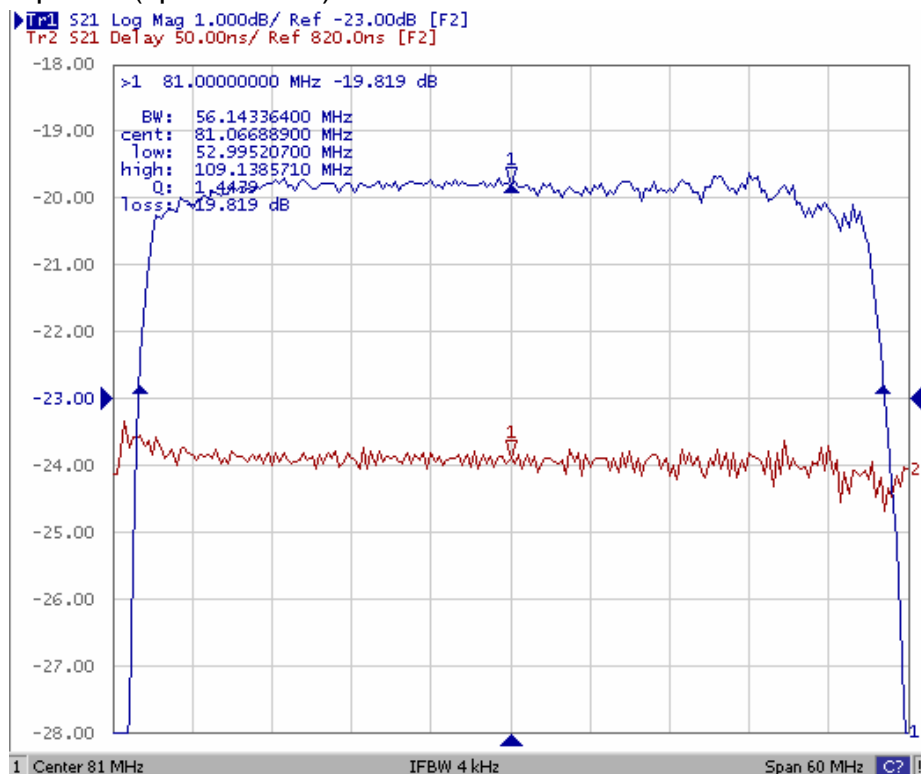
REV. NO.: 1

C. FREQUENCY CHARACTERISTICS:

Wideband Response (span 150MHz)



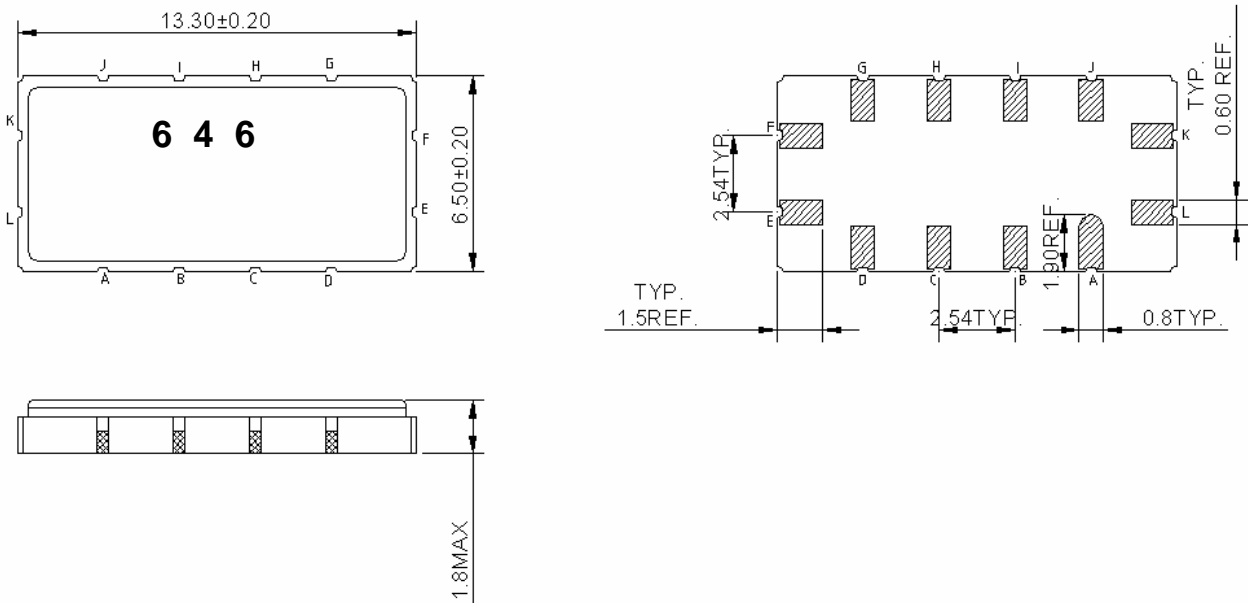
Passband Response (span 60MHz)



SAW Filter 81.0MHz
Part No: MP01100

Model: TB0646A
REV. NO.: 1

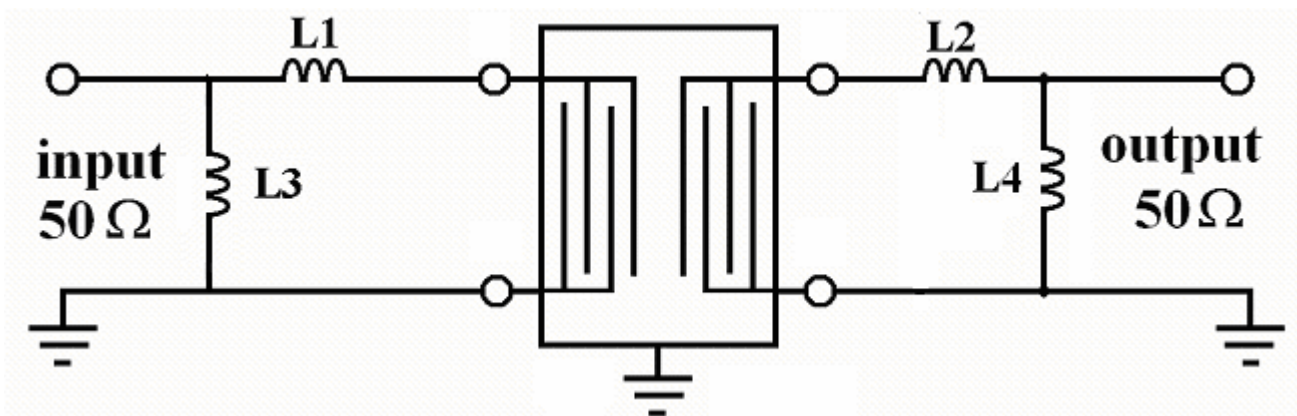
D. OUTLINE DRAWING:



- Pin K: RF input
- Pin E: RF output
- Pin A, B, C, D, F, G, H, I, J, L: To be Ground

E. MATCHING CIRCUIT:

50 Ohm single ended Input - 50 Ohm single ended Output



L1=27 nH; L2=27nH L3=180 nH; L4=180nH

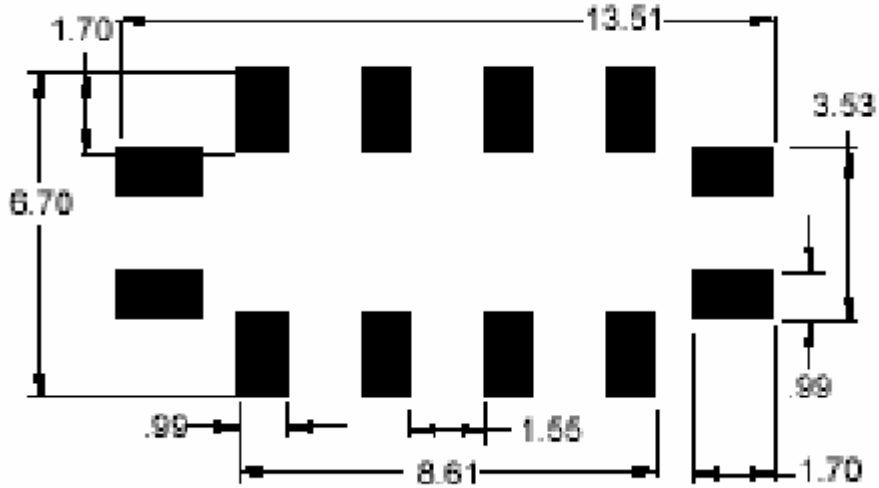
SAW Filter 81.0MHz

Model: TB0646A

Part No: MP01100

REV. NO.: 1

F. PCB FOOTPRINT:

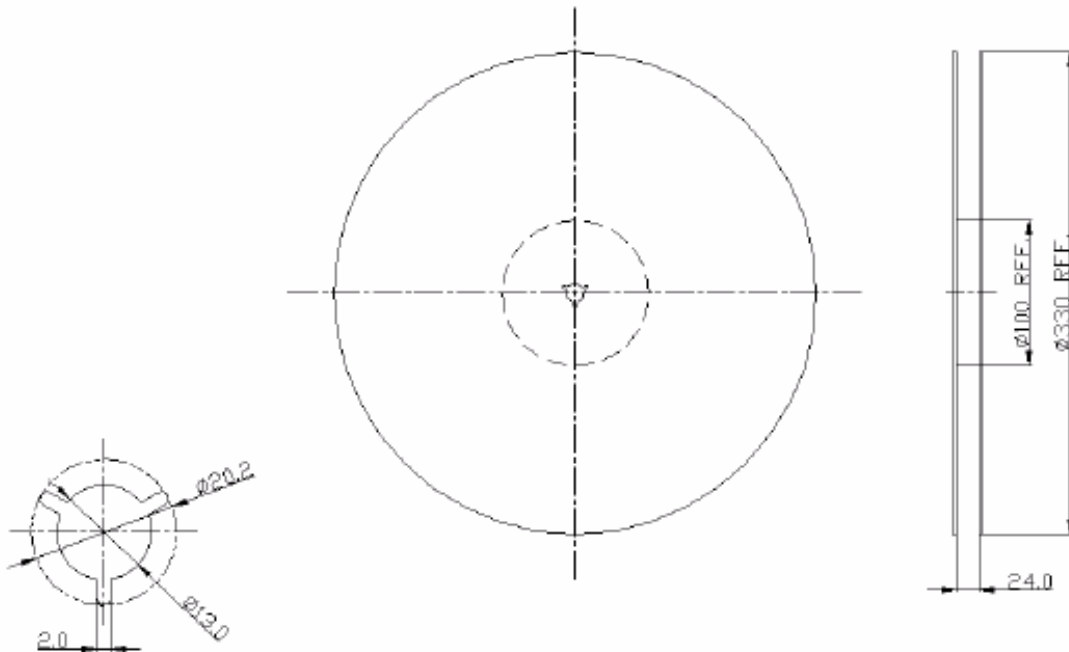


SAW Filter 81.0MHz
Part No: MP01100

Model: TB0646A
REV. NO.: 1

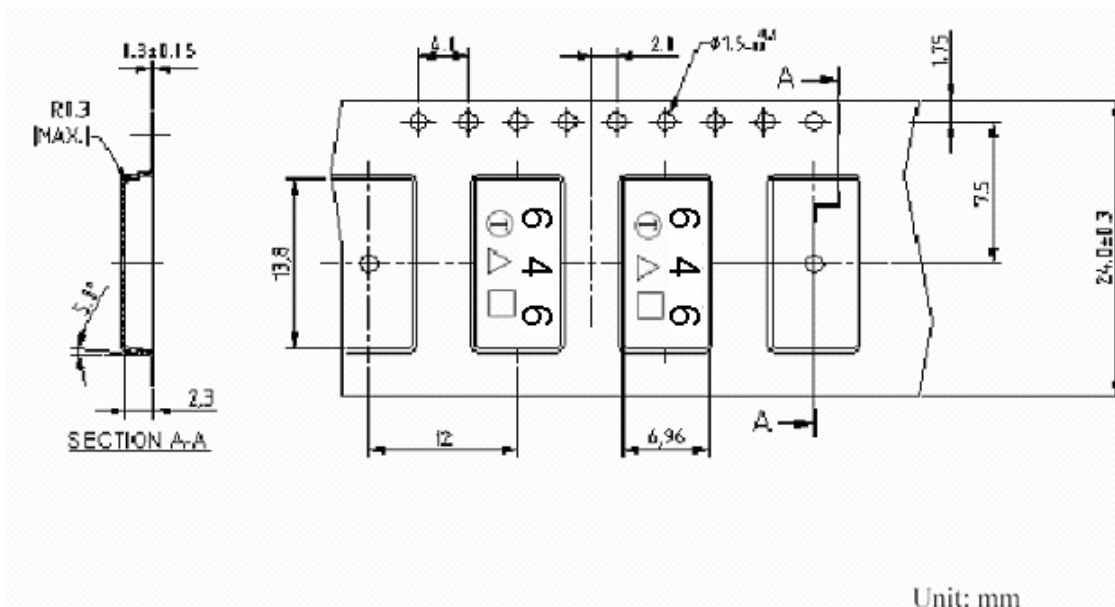
G. PACKING:

1. REEL DIMENSION



Unit: mm

2. TAPE DIMENSION



Unit: mm