

1000MHz SAW Resonator
Part No: MP01036

Model: TC0337A
REV NO.: 1

A. FEATURES:

- 1-Port Resonator.

B. MAXIMUM RATING:

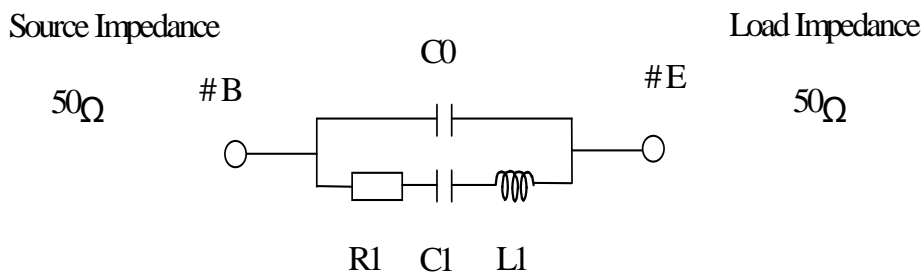
1. Input Power Level: 10 dBm
2. DC voltage: 3 V
3. Operating Temperature: -40°C to +85°C
4. Storage Temperature: -40°C to +85°C

C. ELECTRICAL CHARACTERISTICS:

Characteristic	Units	Minimum	Typical	Maximum
Center frequency Fr	MHz	999.950	1000	1000.050
Insertion Loss IL	dB	-	1.75	2.3
Equivalent Elements				
Motional capacitance C1	fF	-	0.92	-
Motional inductance L1	μH	-	27.5	-
Motional resistance R1	Ohm	-	21.5	-
Parallel capacitance Co	pF	-	2.11	-
Temp.coeff.	ppm/c*2	-	0.032	-
Turnover To	deg.C	-	25	-
Package size		SMD 3.8X3.8X1.4mm		

D. EQUIVALENT CIRCUIT:

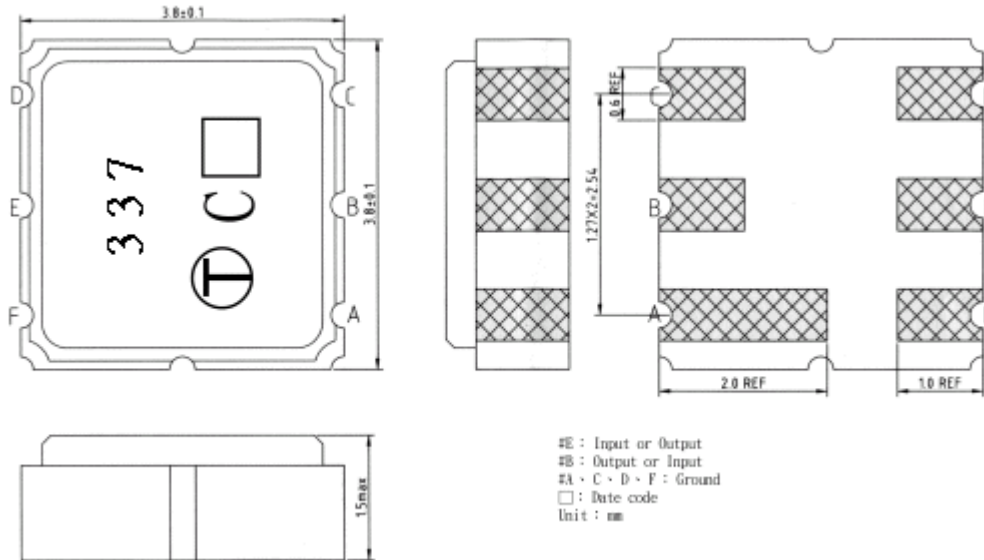
One-Port Resonator:



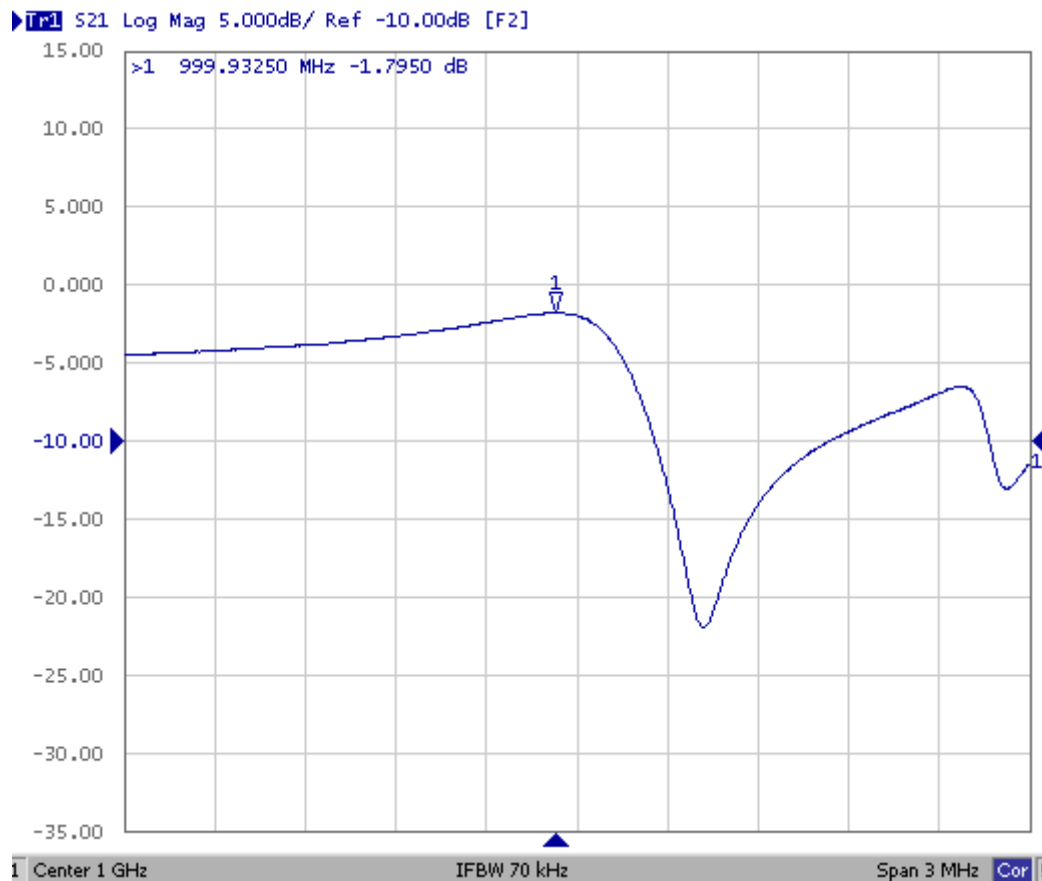
1000MHz SAW Resonator
Part No: MP01036

Model: TC0337A
REV NO.: 1

E. OUTLINE DRAWING:



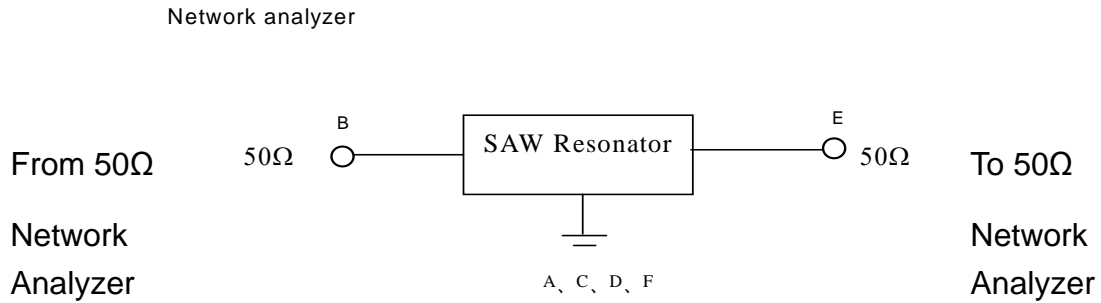
F. FREQUENCY CHARACTERISTICS



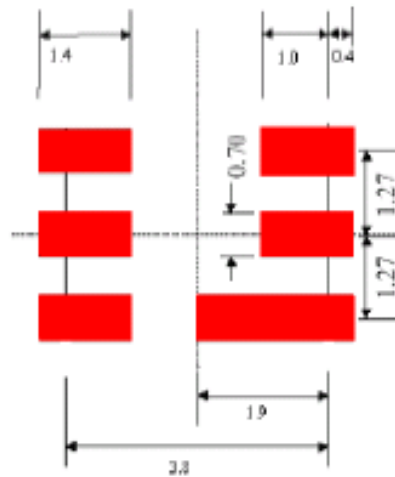
1000MHz SAW Resonator
Part No: MP01036

Model: TC0337A
REV NO.: 1

G. TEST CIRCUIT:



H. LAND PATTERN:

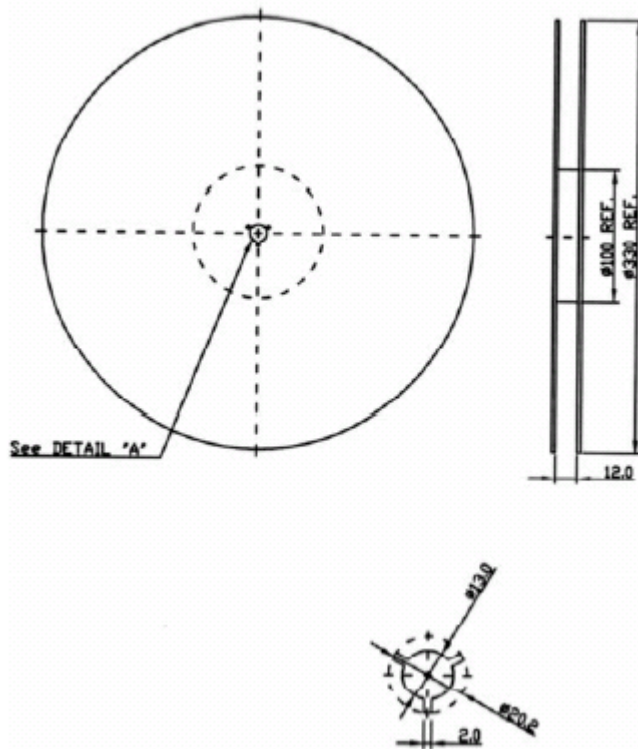


1000MHz SAW Resonator
Part No: **MP01036**

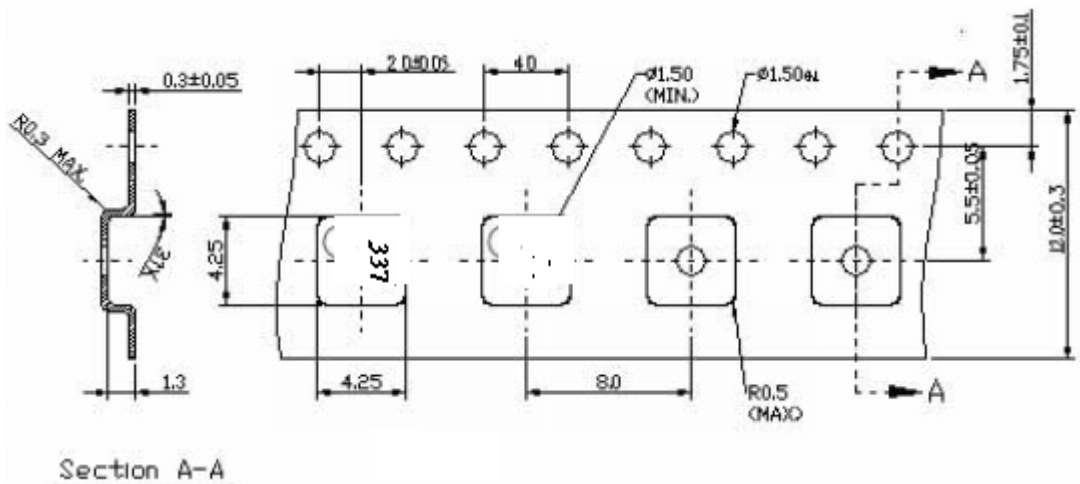
Model: **TC0337A**
REV NO.: 1

I. PACKING:

1. REEL DIMENSION



2. TAPE DIMENSION



1000MHz SAW Resonator
Part No: MP01036

Model: TC0337A
REV NO.: 1

J. RECOMMENDED REFLOW PROFILE:

