

**110.5920MHz SAW Filter**

**Model: TB0603A**

**Part No: MA09828**

**REV NO.: 1**

**A. MAXIMUM RATING:**

1. Operating Temperature: -40°C ~ +85°C
2. Storage Temperature: -40°C ~ +85°C
3. Input Power Level: 10dBm

**B. CHARACTERISTICS:**

1. Ambient Temperature: 25°C
2. Terminating Source Impedance: Single ended 50 ohm
3. Terminating Load Impedance: Single ended 50 ohm

Item	Unit	Min.	Typ.	Max.
Center frequency, Fc	MHz	-	110.592	-
Insertion Loss, IL	dB	-	8.6	10
3 dB Bandwidth	MHz	1.152	1.44	-
Group Delay Variation Fc±0.576	nsec	-	150	200
Rejection				
DC to Fc-3.4MHz		38	42	-
Fc-3.4MHz to Fc-1.728MHz	dB	28	42	-
Fc+1.728MHz to Fc+3.4MHz		28	34	-
Fc+3.4MHz to 200MHz		38	42	-

**110.5920MHz SAW Filter**  
**Part No: MA09828**

**Model: TB0603A**  
**REV NO.: 1**

**C. FREQUENCY CHARACTERISTICS:**

1. S21 Response

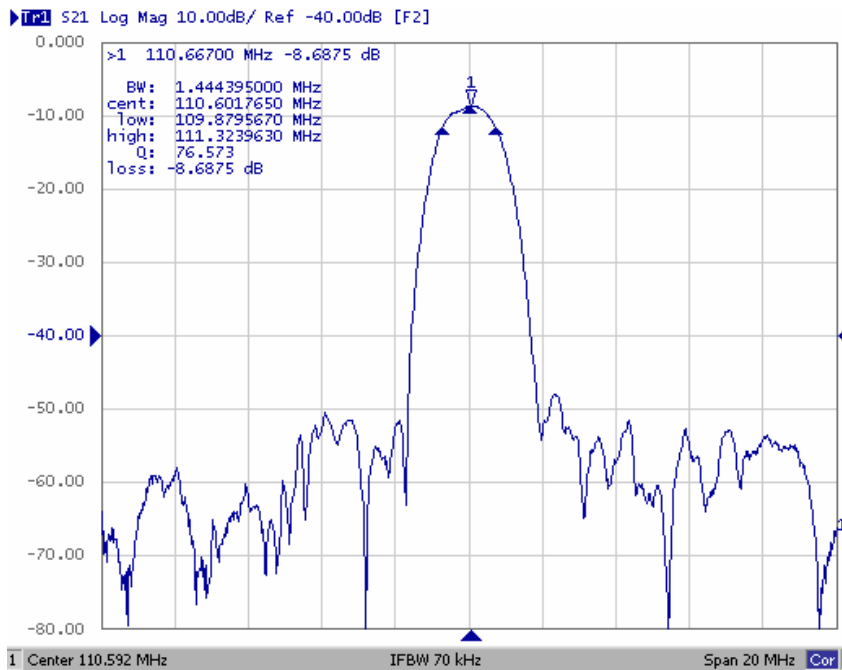


Fig. 1 Horizontal: 2MHz/Div; Vertical: 10dB/Div

2. Passband Response

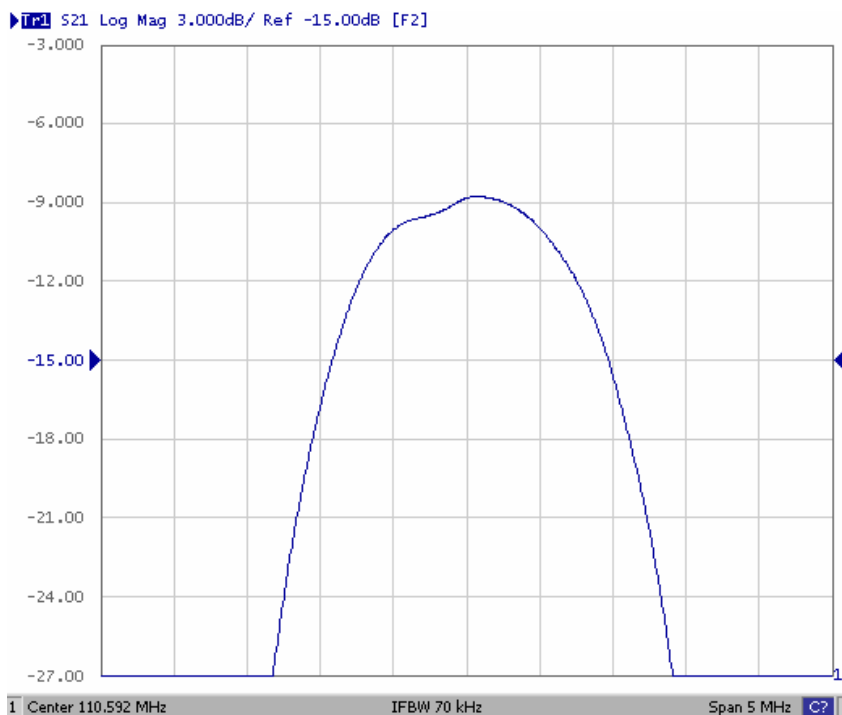


Fig. 2 Passband Horizontal: 0.5MHz/Div; Vertical: 3dB/Div

**110.5920MHz SAW Filter**  
**Part No: MA09828**

**Model: TB0603A**  
**REV NO.: 1**

**3. Group Delay**

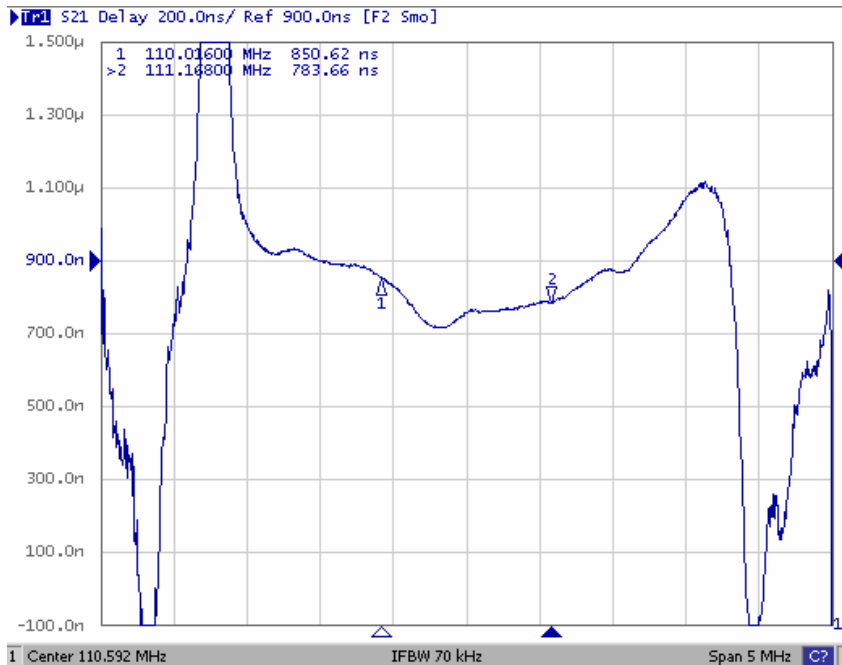
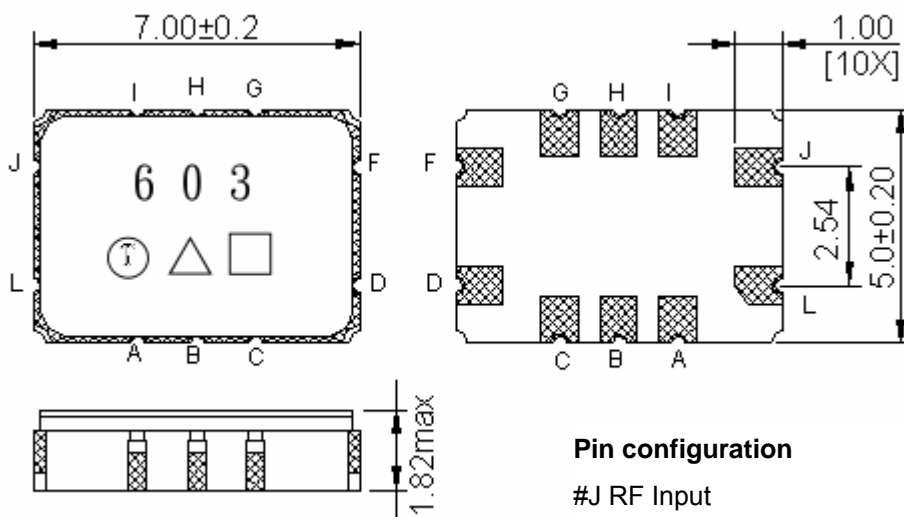


Fig. 3 Passband Horizontal: 0.5MHz/Div; Vertical: 200nS/Div

**D. OUTLINE DRAWING:**



**Pin configuration**

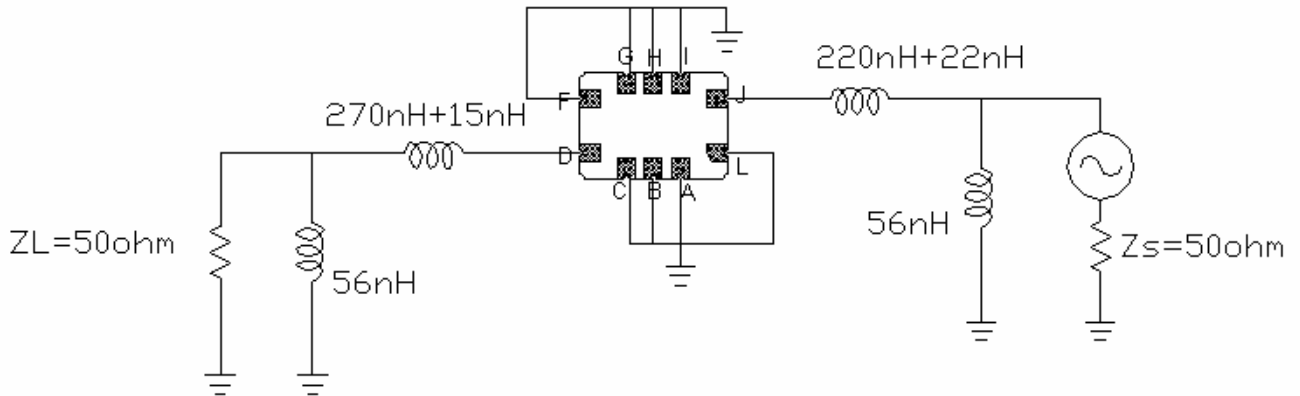
- #J RF Input
- #L RF Input ground
- #D RF Output
- #F RF Output ground
- #A,B,C,G,H,I To be ground

Unit : mm

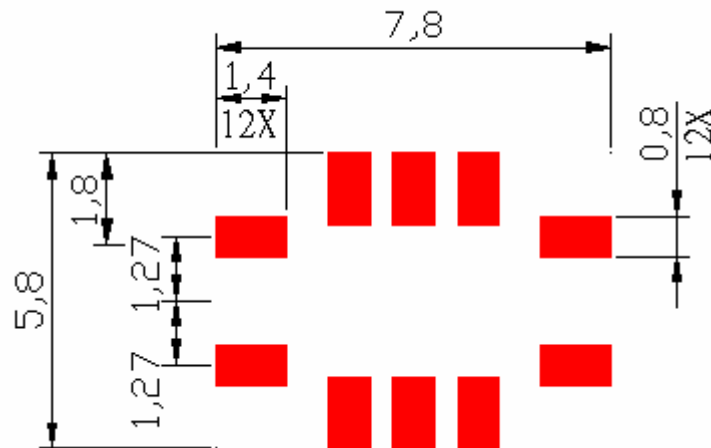
**110.5920MHz SAW Filter**  
**Part No: MA09828**

**Model: TB0603A**  
**REV NO.: 1**

**E. MEASUREMENT CIRCUIT:**



**F. PCB FOOTPRINT:**





**110.5920MHz SAW Filter**

**Model: TB0603A**

**Part No: MA09828**

**REV NO.: 1**

**H. RECOMMENDED REFLOW PROFILE:**

