

SAW Filter 426MHz

Model: TA0706A

Part No: MA09795

REV. NO.: 1

A. MAXIMUM RATING:

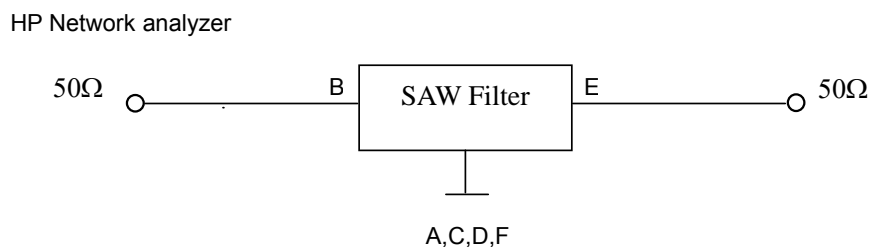
1. Input Power Level: 10 dBm
2. DC voltage: 3 V
3. Operating Temperature: -10°C to 60°C
4. Storage Temperature: -30°C to +85°C

B. CHARACTERISTICS:

Item	Unit	Min.	Typ.	Max.
Center frequency Fc	MH	-	426	-
Insertion loss Fc±1.0 MHz IL	dB	-	2.0	4.0
Amplitude ripple Fc±1.0 MHz	dB	-	0.5	2.0
Attenuation (Reference level from 0 dB)				
414.0 ~ 417.0 MHz	dB	8	29	-
380.0 ~ 383.8 MHz	dB	45	50	-
468.0 ~ 471.0 MHz	dB	45	51	-
Source impedance Zs	Ω	-	50	-
Load impedance ZL	Ω	-	50	-

Note1. No matching network required for operation at 50Ω

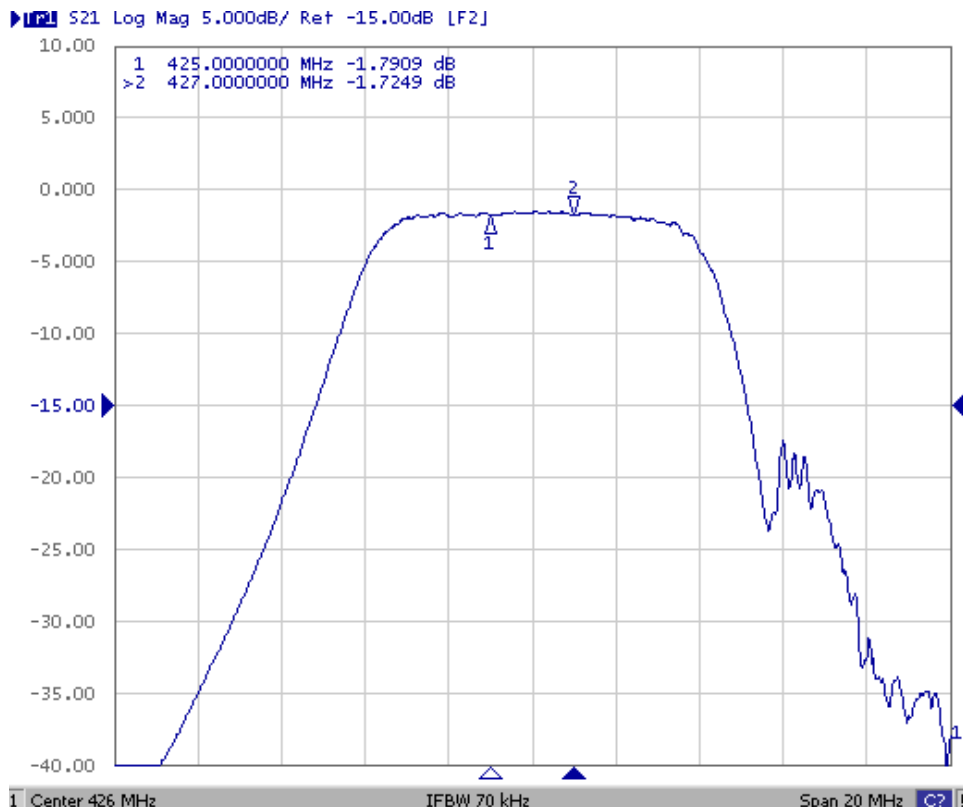
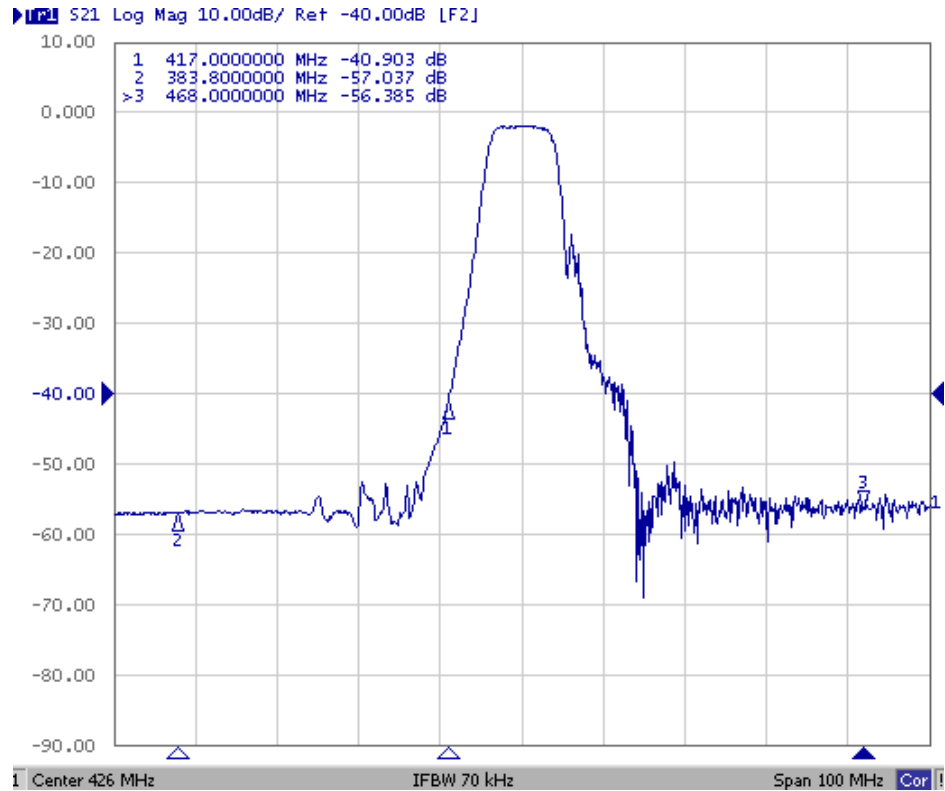
C. MEASUREMENT CIRCUIT:



SAW Filter 426MHz
Part No: MA09795

Model: TA0706A
REV. NO.: 1

D. TRANSFER FUNCTION:



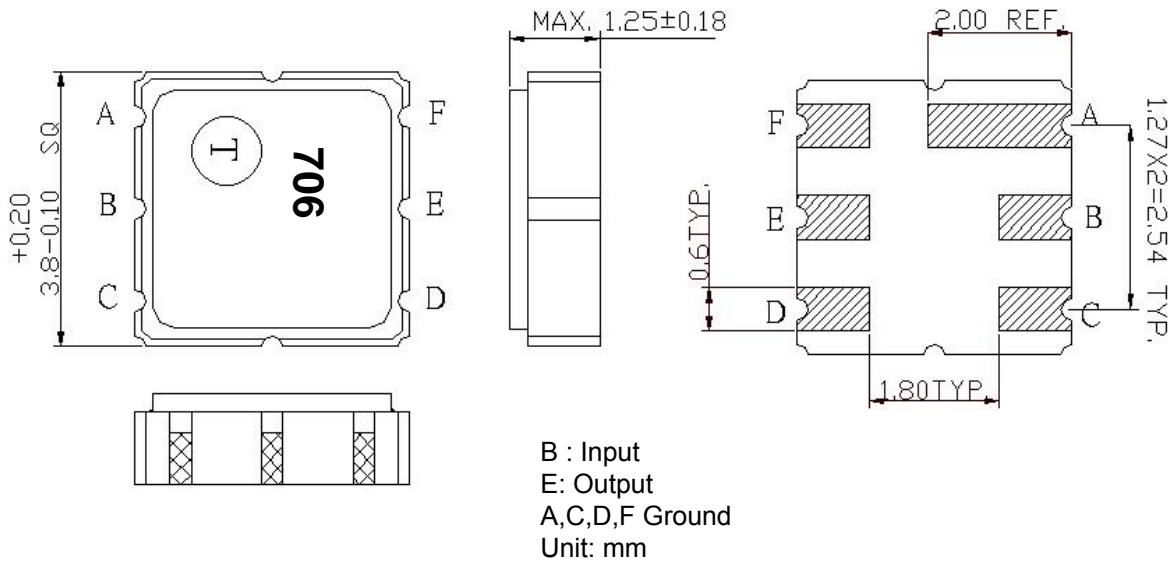
SAW Filter 426MHz

Model: TA0706A

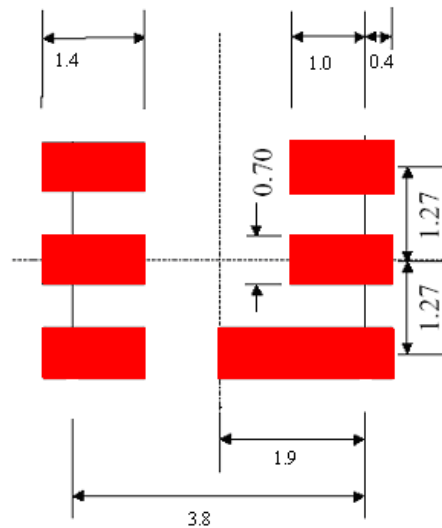
Part No: MA09795

REV. NO.: 1

E. OUTLINE DRAWING:



F. PCB FOOTPRINT:



SAW Filter 426MHz

Model: TA0706A

Part No: MA09795

REV. NO.: 1

H. REFLOW PROFILE:

