

36.125MHz IF SAW Filter

Model: TB0176A

Part No: MA09789

REV. NO.: 5

A. FEATURES:

1. IF Filter for Digital Cable TV

B. MAXIMUM RATING:

1. DC voltage: 12 V.
2. AC voltage: 10 V.
3. Storage Temperature: -40°C to +85°C.
4. Operating Temperature: -25°C to +65°C

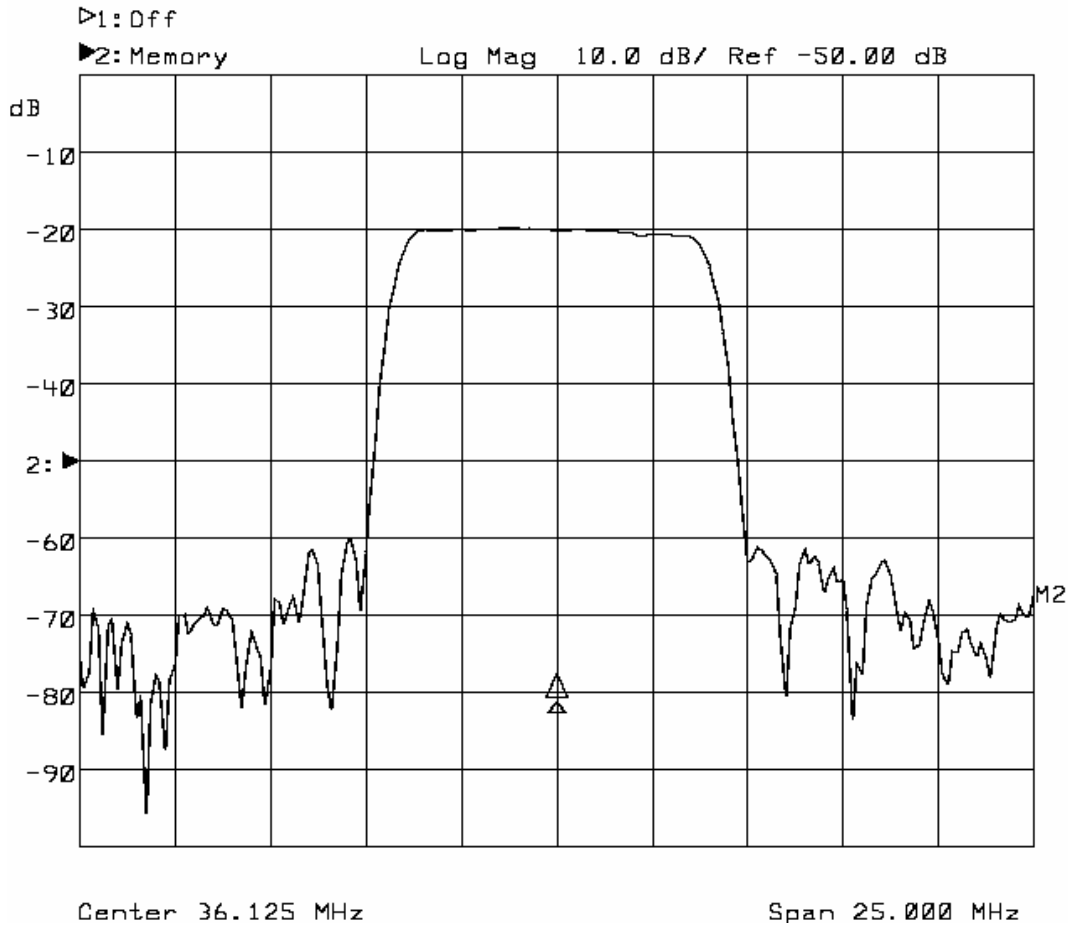
C. ELECTRICAL CHARACTERISTICS:

FREQUENCY(MHz)	VALUE			unit
	Min	Typ.	Max.	
Center frequency	36.00	36.125	36.25	MHz
Insertion attenuation 36.13 MHz	19.7	21.7	23.7	dB
Reference Frequency 36.13 MHz	-	0	-	dB
Pass bandwidth B _{3dB}	7.8	8.0	8.2	MHz
Pass bandwidth B _{30dB}	9.2	9.5	9.8	MHz
Relative attenuation 32.32 MHz	-0.3	1.2	2.7	dB
39.93 MHz	-0.1	1.4	2.9	dB
32.13 MHz	1.2	3.2	5.2	dB
40.13 MHz	1.2	3.2	5.2	dB
31.25 MHz	32	45.0	-	dB
47.25 MHz	40	50.0	-	dB
Lower sidelobe: 25.00-29.50 MHz	36.0	43.0	-	dB
29.50-31.25 MHz	32.0	39.0	-	dB
Upper sidelobe: 41.00- 44.00 MHz	31.0	38.0	-	dB
44.00- 50.00 MHz	36.0	44.0	-	dB
Reflected wave signal suppression	42.0	52.0	-	dB
Feedthrough signal suppression	50.0	56.0	-	dB
Group delay ripple (p-p) 32.13 – 40.13 MHz	-	40	-	ns
Impedance at 36.13 MHz Input: Z _{in} = R _{in} // C _{in} Output : Z _{out} = R _{out} // C _{out}	3.6 // 13.0 2.9 // 3.9			KΩ // pF KΩ // pF
Temperature coefficient TC _f	-	-72	-	ppm/K

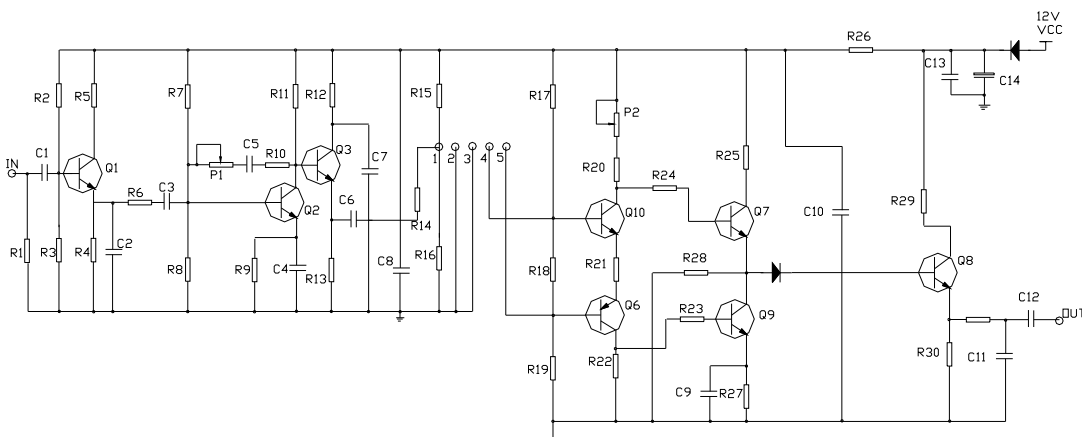
36.125MHz IF SAW Filter
Part No: MA09789

Model: TB0176A
REV. NO.: 5

D. FREQUENCY CHARACTERISTICS:



E. TEST CIRCUIT



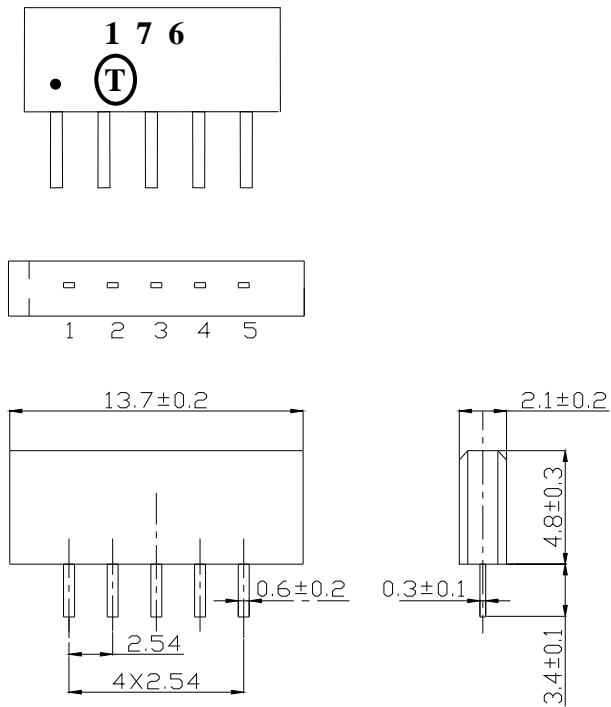
36.125MHz IF SAW Filter

Model: TB0176A

Part No: MA09789

REV. NO.: 5

E. OUTLINE DRAWING:



Pin No. Functions

1. Input
2. input - ground
3. Chip carrier - ground
4. Output
5. Output