

**SAW Filter 165.450MHz**

**Model: TB0483A**

**Part No: MA09724**

**REV. NO.: 1**

**A. MAXIMUM RATING:**

1. Input Power Level: 15 dBm
2. DC Voltage : 5V
3. Operating Temperature: -40°C to +85°C
4. Storage Temperature: -50°C to +95°C

**B. ELECTRICAL CHARACTERISTICS:**

Item	Unit	Min.	Typ.	Max.	Note
Center frequency Fc	MHz	-	165.45	-	-
Insertion loss at center frequency ILc	dB	-	3.0	7.0	-
Ripple (165.44625~165.45375)	dB	-	±0.2	±1	-
Attenuation (relative to ILc)					
164.45 ~ 164.5525 MHz	dB	30	50	-	-
164.5525 ~ 165.35 MHz	dB	7	21	-	-
165.55 ~ 166.3475 MHz	dB	7	21	-	-
166.3475 ~ 166.45 MHz	dB	30	50	-	-
Temperature coefficient of frequency TCf		-0.034 ppm/C <sup>2</sup>			

Note1. Considering -20 KHz frequency shift from -40°C to +85°C

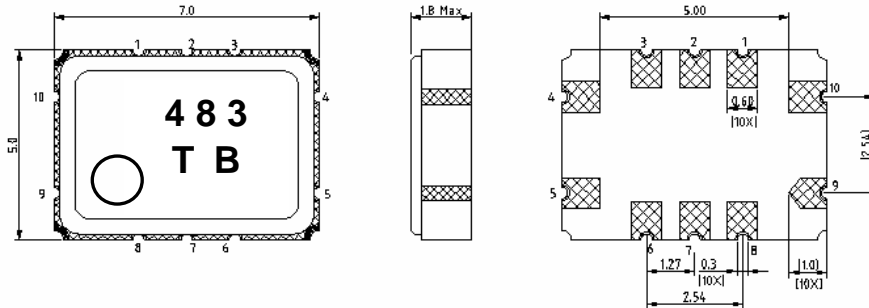
**SAW Filter 165.450MHz**

**Model: TB0483A**

**Part No: MA09724**

**REV. NO.: 1**

**C. OUTLINE DRAWING:**



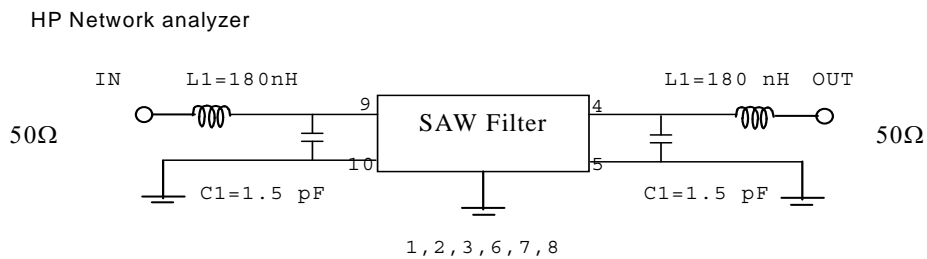
**Pin configuration**

- #9 Input
- #4 Output
- #10 Balance input or input ground
- #5 Balance output or output ground
- #1,2,3,6,7,8 To be grounded

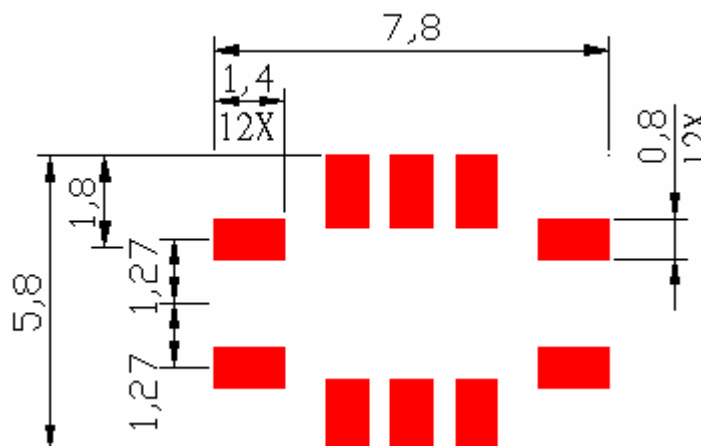
Unit mm

**D. MEASUREMENT CIRCUIT:**

50 Ohm Test circuit ( single-ended / single-ended )



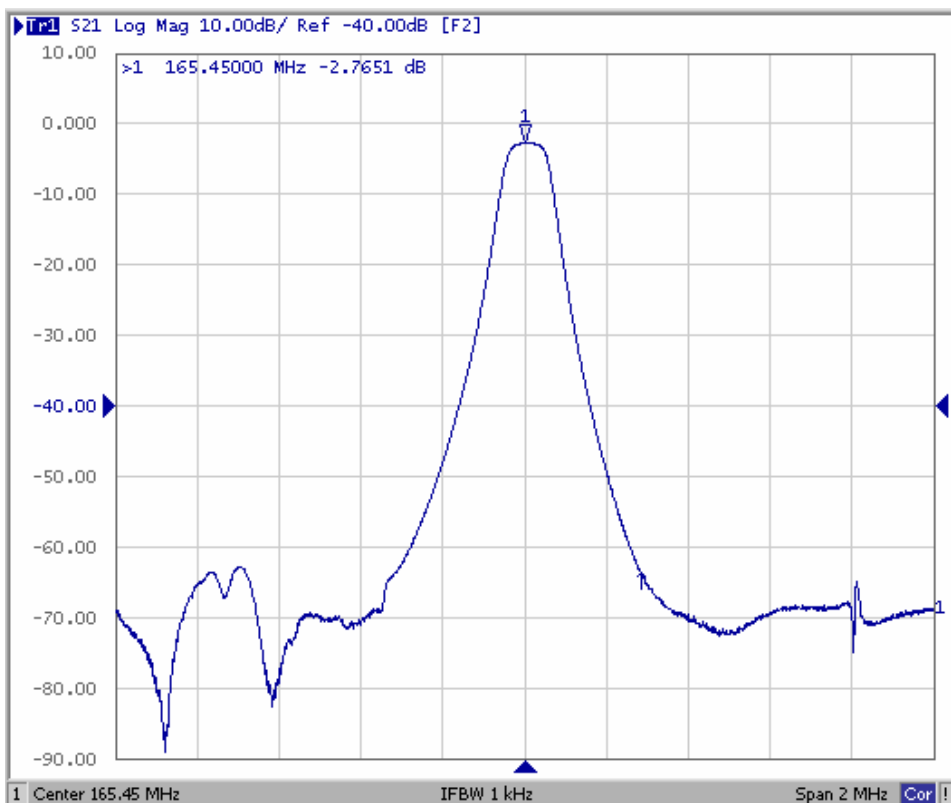
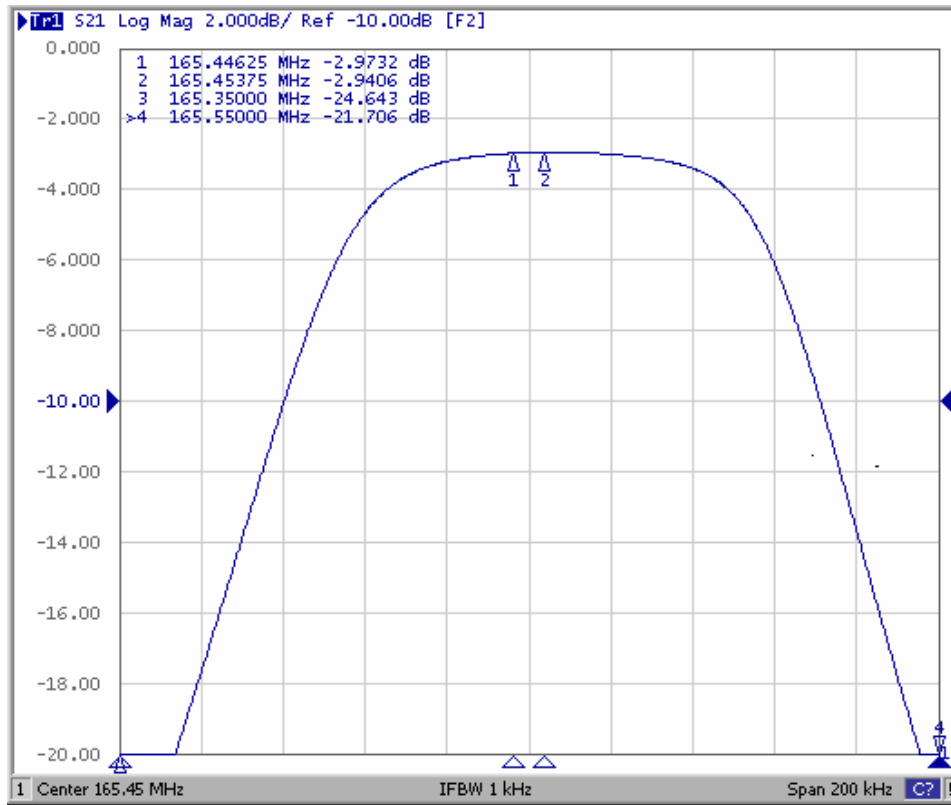
**E. PCB FOOTPRINT:**



**SAW Filter 165.450MHz**  
**Part No: MA09724**

**Model: TB0483A**  
**REV. NO.: 1**

**F. FREQUENCY CHARACTERISTICS:**





**SAW Filter 165.450MHz**

**Model: TB0483A**

**Part No: MA09724**

**REV. NO.: 1**

**H. RECOMMENDED REFLOW PROFILE :**

