
44.0MHz SAW Filter

Model: TB0496A

Part No: MA09546

REV NO.: 1

A. MAXIMUM RATING:

DC voltage	VDC	12	V	Between any terminals
AC voltage	VPP	10	V	Between any terminals
Operating Temperature Range	TA	-25~65	°C	
Storage Temperature Range	Tstg	-40~85	°C	

B. CHARACTERISTICS:

1. Electronic Characteristics

Reference temperature: Ta=25°C

Terminating source impedance ZS=50Ω

Terminating load impedance ZL=2kΩ//3pF

44.0MHz SAW Filter

Model: TB0496A

Part No: MA09546

REV NO.: 1

2. Amplitude Characteristics

	MIN.	TYP.	MAX.	
Center frequency f_c				
Center frequency between 3dB point	-	44.00	-	MHz
Insertion attenuation				
Reference level for the	12.7	14.7	16.7	dB
Following data 44.06 MHz				
Amplitude ripple				
41.53-46.59 MHz	0.0	0.4	1.0	dB
3dB Pass Bandwidth	-	6.0	-	MHz
30dB Pass Bandwidth	-	7.6	-	MHz
41.53 MHz	-1.2	0.3	1.8	dB
46.59 MHz	-1.1	0.4	1.9	dB
41.06 MHz	1.5	2.7	3.8	dB
47.06 MHz	1.8	3.0	4.2	dB
47.31 MHz	6.3	8.3	10.3	dB
39.81 MHz	39.0	55.0	-	dB
Lower side lobe				
35.06 to 39.46 MHz	42.0	47.0	-	dB
39.46 to 40.06 MHz	37.0	47.0	-	dB
Upper side lobe				
48.06 to 50.06 MHz	35.0	42.0	-	dB
50.06 to 55.06 MHz	41.0	51.0	-	dB
Reflected Wave Signal Suppression	42.0	52.0		dB
Feed through Signal Suppression	50.0	56.0		dB
Group delay ripple				
41.53 ... 46.59 MHz	-	40	-	ns
Impedance at 44.06 MHz				
Input Impedance	-	1.3 16.1	-	K Ω pF
Output Impedance		1.1 5.6		K Ω pF
Temperature Coefficient of frequency	-	-72.0	-	ppm/K

44.0MHz SAW Filter
Part No: MA09546

Model: TB0496A
REV NO.: 1

C. FREQUENCY CHARACTERISTICS:

1. S21 Response: (span 20MHz)

Fig.1 Horizontal: 2MHz/Div Vertical: 10B/Div

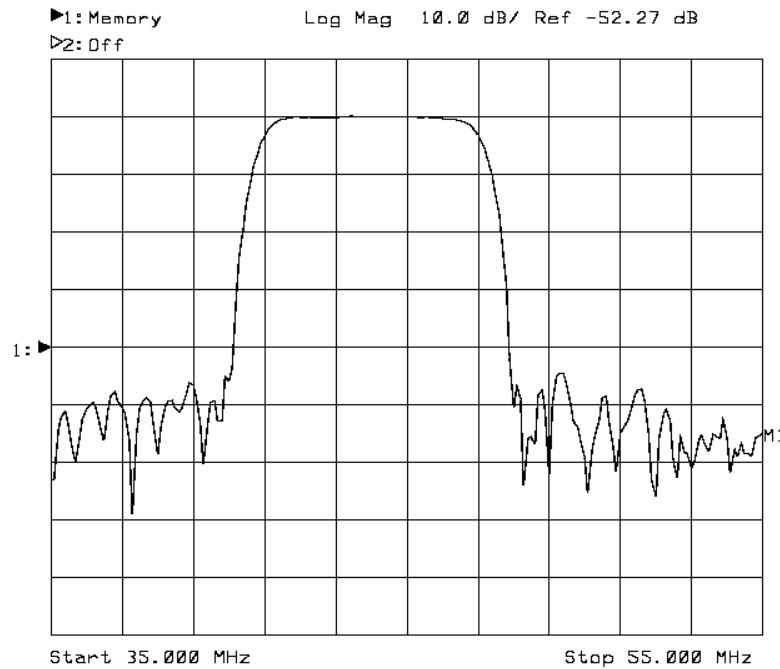
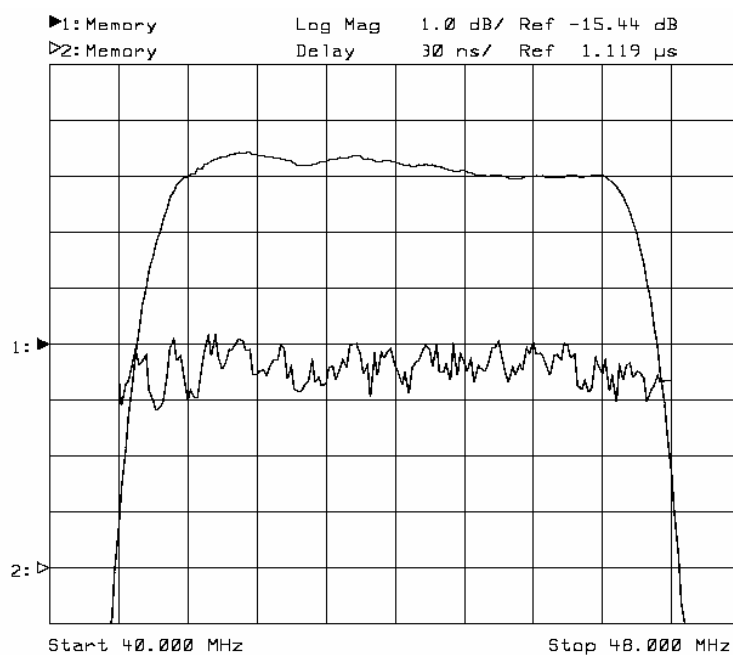


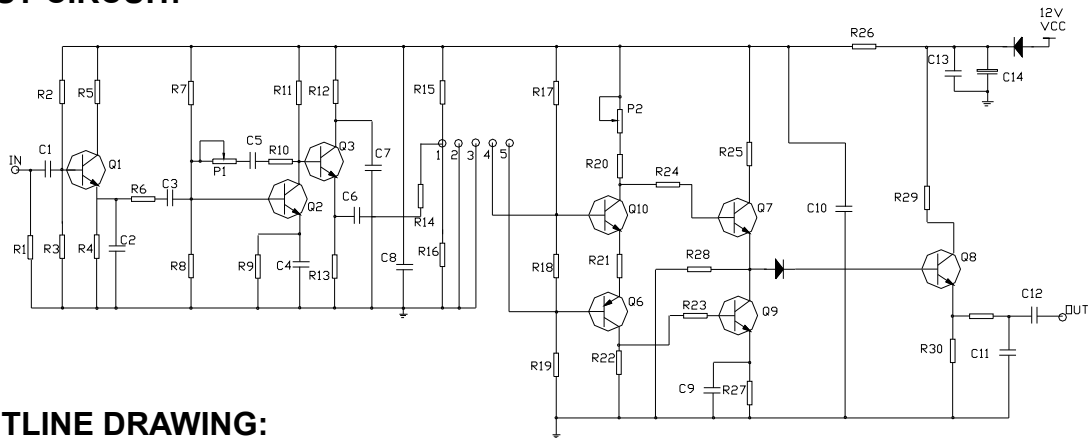
Fig. 2 Horizontal: 0.8MHz/Div Vertical: 1dB/Div



44.0MHz SAW Filter
Part No: MA09546

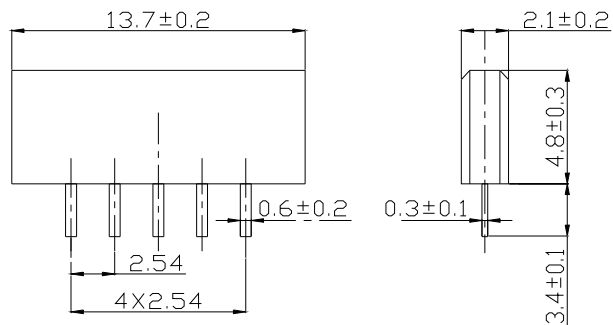
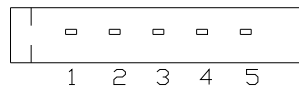
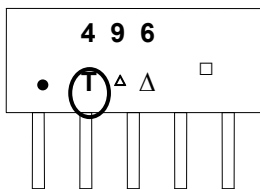
Model: TB0496A
REV NO.: 1

D. TEST CIRCUIT:



E. OUTLINE DRAWING:

Unit: mm



Pin No. Functions

1. Input
2. Chip carrier - ground
3. Output - sound
4. Output - picture
5. Output - picture

□ : Week Code (Follow the table from planner each year)

△: Product / Year Code

Year	2005 2009	2006 2010	2007 2011	2008 2012
Product Code	B	b	<u>B</u>	<u>b</u>