

403.50MHz SAW Filter

Model: TA0529A

Part No: MA09369

REV NO.: 1

A. MAXIMUM RATING:

1. Input Power Level: 10 dBm
2. DC voltage: 3 V
3. Operating Temperature: 32°C to 42°C
4. Storage Temperature: -40°C to +85°C

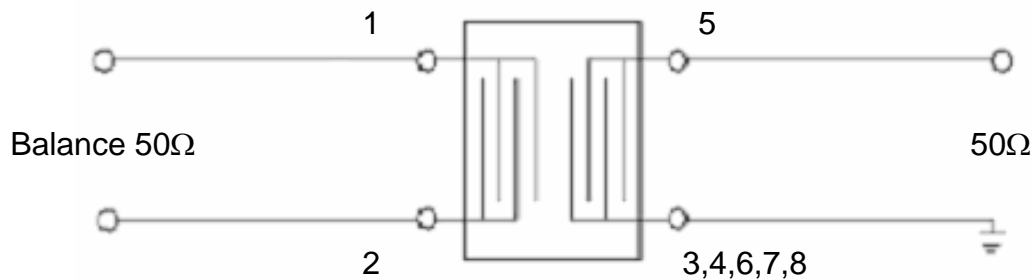
B. ELECTRICAL CHARACTERISTICS:

Terminating source impedance: $Z_S=50\Omega$ (balanced)

Terminating load impedance: $Z_L=50\Omega$

Item			Min.	Typical	Max.	
Center frequency	Fc	MH	-	403.5	-	
Insertion loss	402 ~ 405 MHz IL	dB	-	2.15	3.5	
Amplitude ripple	402 ~ 405 MHz	dB	-	0.5	1.7	
VSWR	402 ~ 405 MHz			1.55	2.25	
Attenuation (Reference level from 0 dB)						
	303.5 ~ 358.5	MHz	dB	40	51	-
	358.5 ~ 388.5	MHz	dB	35	45	-
	423.5 ~ 448.5	MHz	dB	35	50	-
	448.5 ~ 503.5	MHz	dB	40	51	-

C. MEASUREMENT CIRCUIT:



403.50MHz SAW Filter

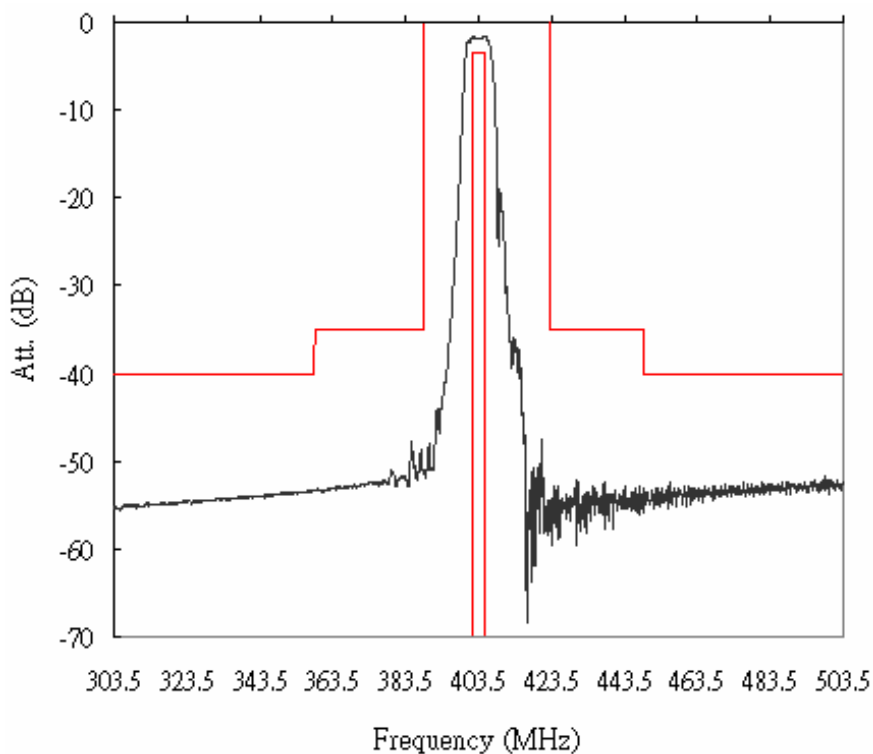
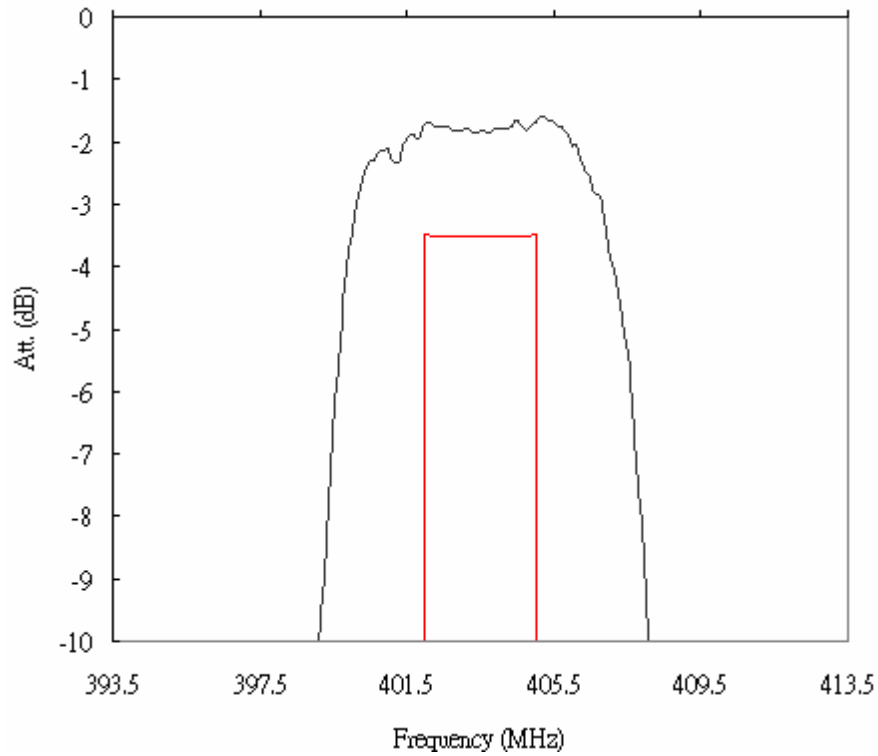
Model: TA0529A

Part No: MA09369

REV NO.: 1

D. FREQUENCY CHARACTERISTICS:

Transfer Function

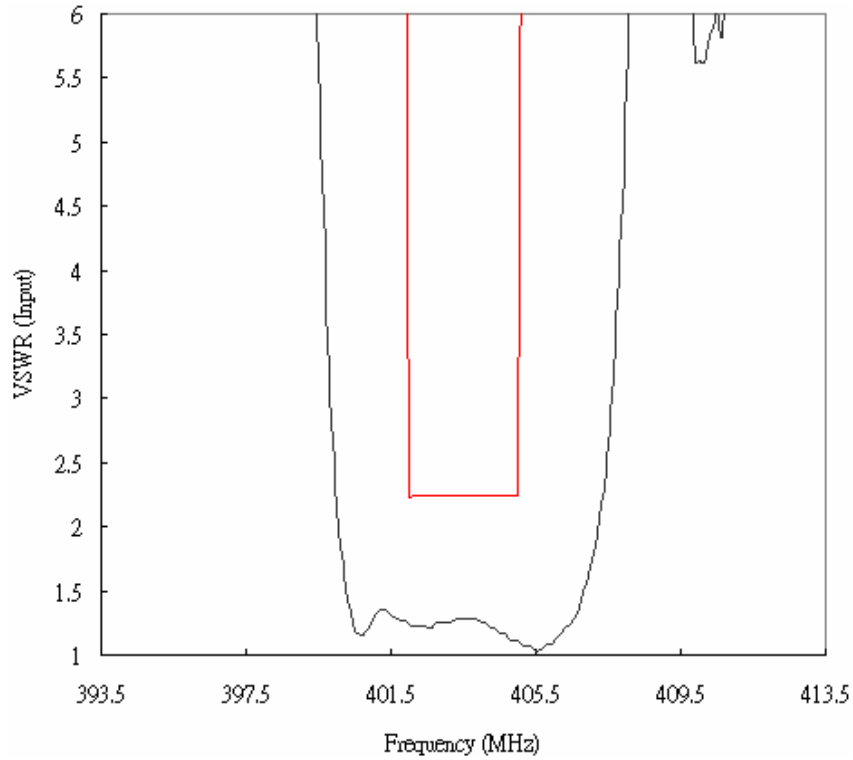


403.50MHz SAW Filter
Part No: MA09369

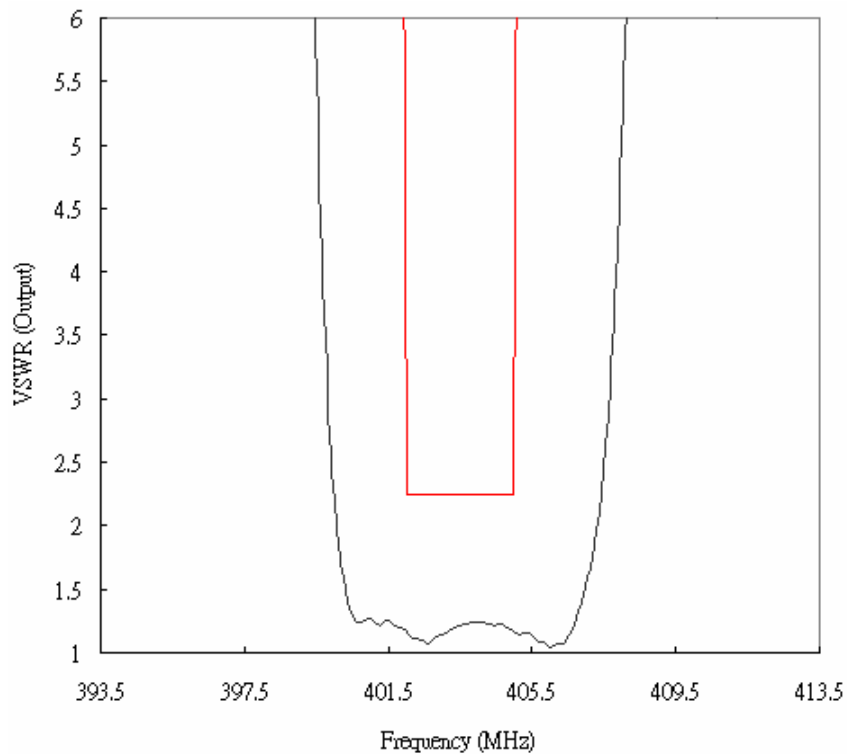
Model: TA0529A
REV NO.: 1

Reflection Function

Sdd11



Sss22



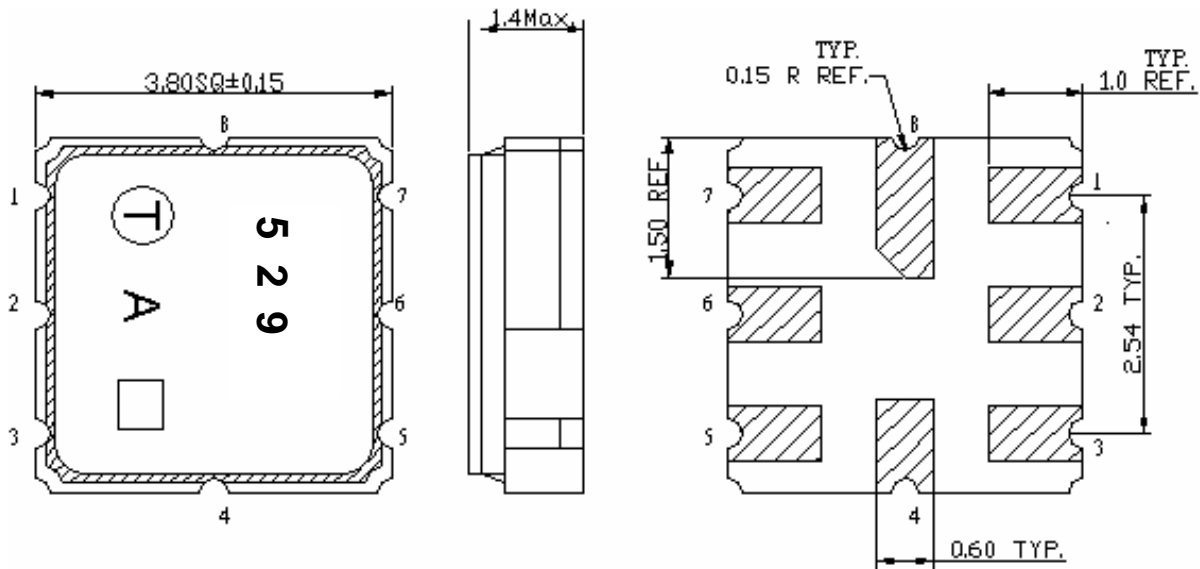
403.50MHz SAW Filter

Model: TA0529A

Part No: MA09369

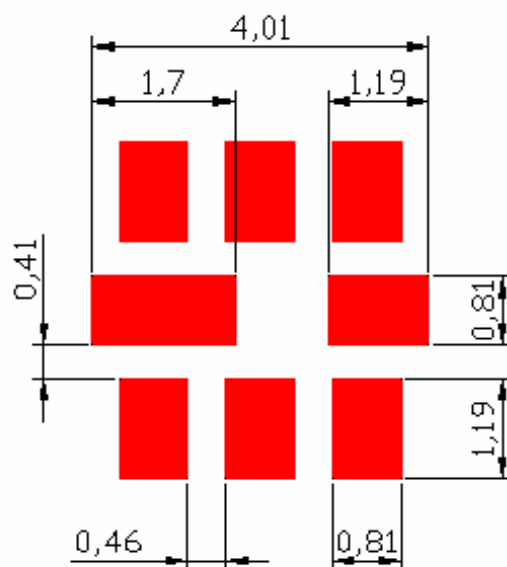
REV NO.: 1

E. OUTLINE DRAWING:



1,2 : Balance Input
 5: Output
 3,4,6,7,8: Ground
 Unit: mm

F. PCB FOOTPRINT:

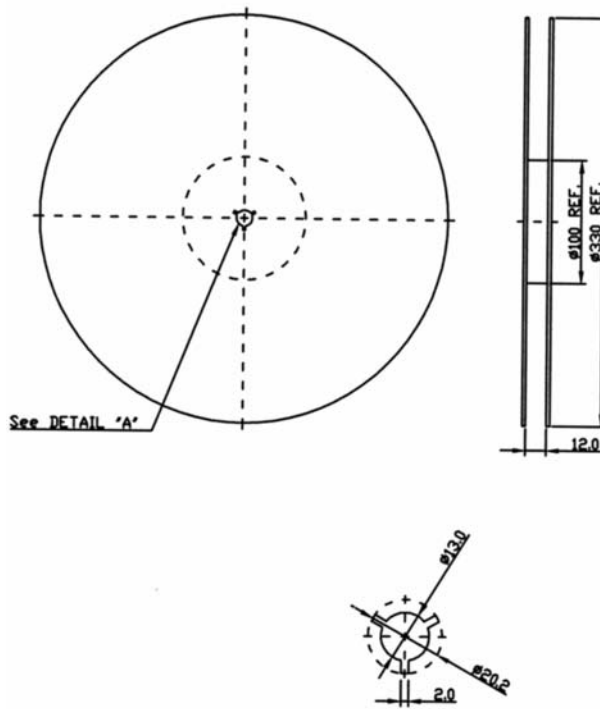


403.50MHz SAW Filter
Part No: **MA09369**

Model: **TA0529A**
REV NO.: 1

G. PACKING:

1. REEL DIMENSION



2. TAPE DIMENSION

