

**311.06MHz SAW Filter**  
**Part No: MA09368**

**Model: TA0615A**  
**REV NO.: 2**

**A. MAXIMUM RATING:**

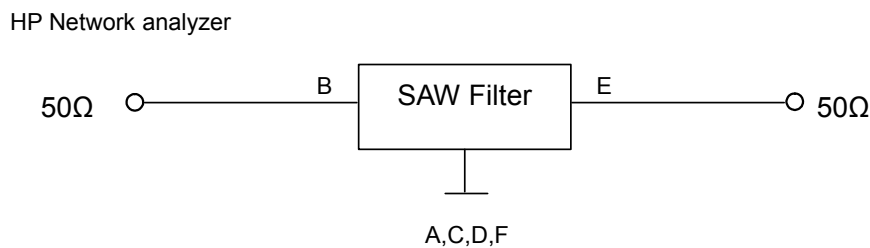
1. Input Power Level: 10dBm
2. DC voltage: 10V
3. Operating Temperature: -30°C to 85°C
4. Storage Temperature: -30°C to +85°C

**B. CHARACTERISTICS:**

Item		Unit	Specification		
			Min.	Typ.	Max.
Center Frequency	Fc	MHz	-	311.06	-
Insertion Loss	ILmin	dB	-	1.7	3.0
Bandwidth	BW <sub>-3dB</sub>	MHz	2	6	-
Ripple	Fc ± 1MHz		-	1	1.5
VSWR	Fc ± 1MHz		-	1.5	-
Absolute Attenuation (reference to 0dB)					
Fc-11.7 ~ Fc-9.7	MHz	dB	40	45	-
Fc-22.4 ~ Fc-20.4	MHz	dB	50	55	-
Source impedance	Zs	Ω	-	50	-
Load impedance	ZL	Ω	-	50	-
Temperature coefficient		ppm/k		-37	

**Note 1:** No matching network required for operation at 50Ω

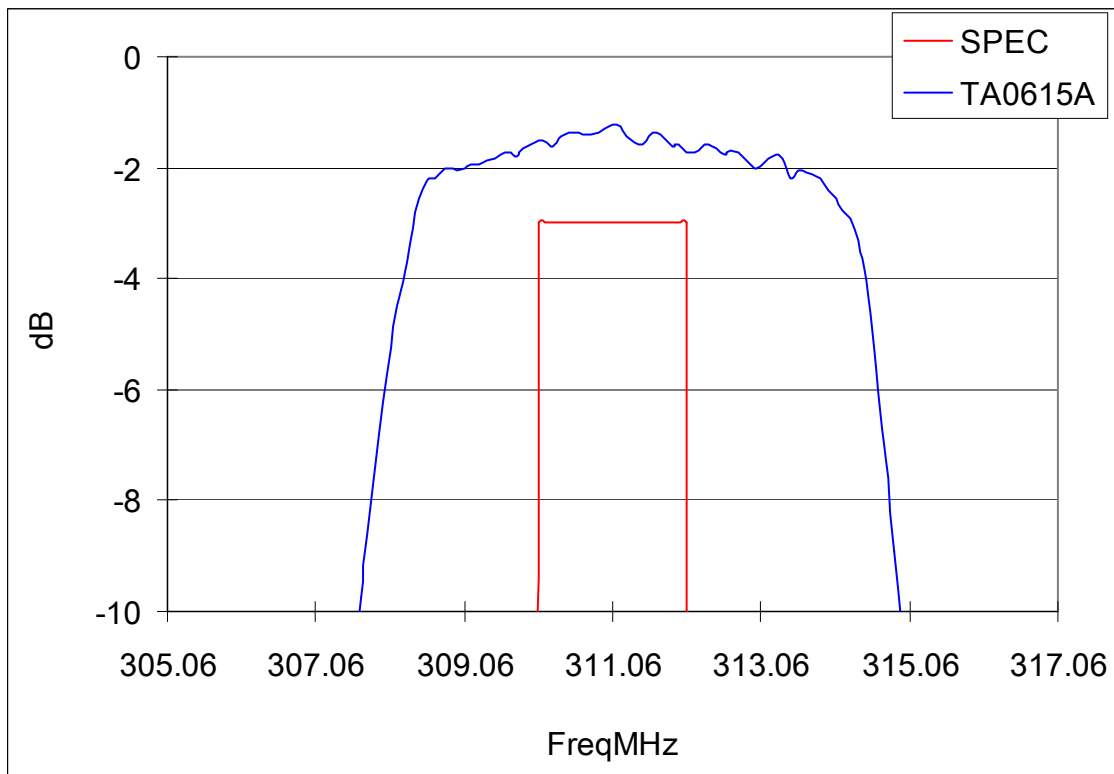
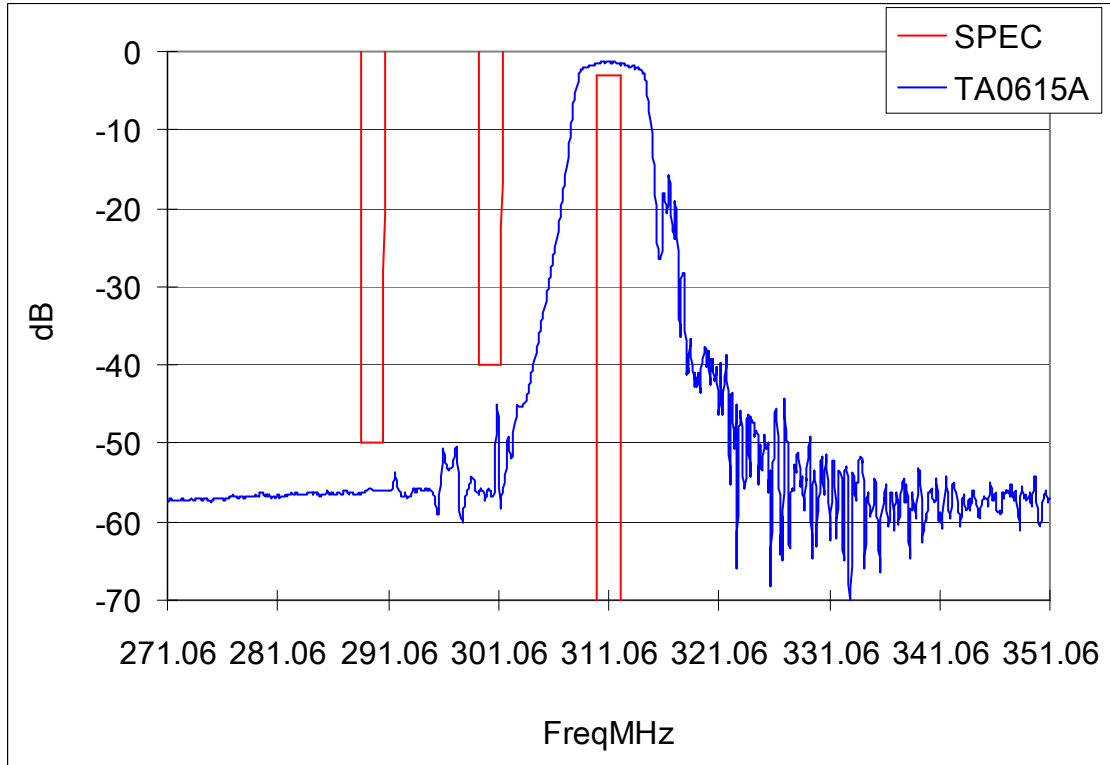
**C. MEASUREMENT CIRCUIT:**



**311.06MHz SAW Filter**  
**Part No: MA09368**

**Model: TA0615A**  
**REV NO.: 2**

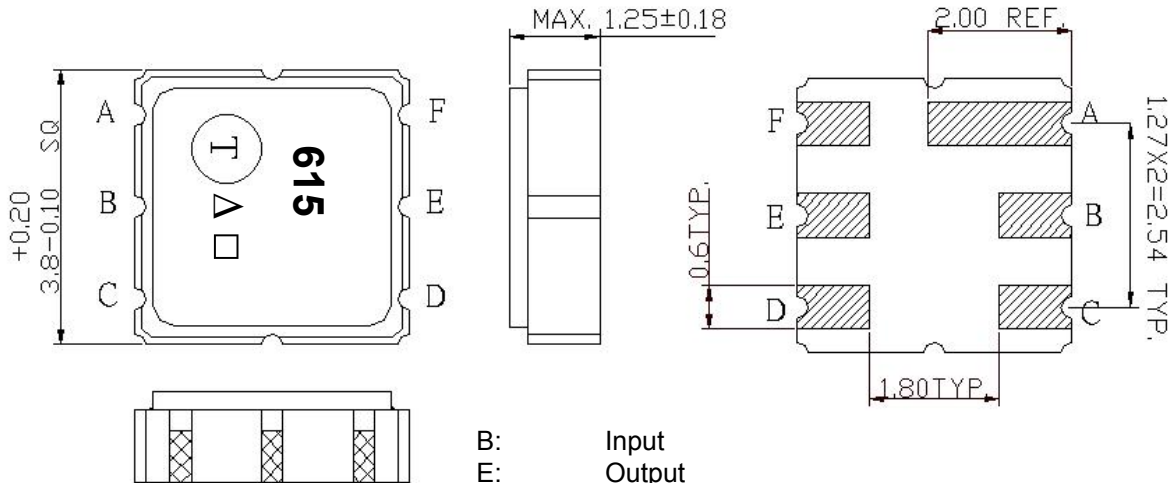
**D. TRANSFER FUNCTION:**



**311.06MHz SAW Filter**  
**Part No: MA09368**

**Model: TA0615A**  
**REV NO.: 2**

**E. OUTLINE DRAWING:**

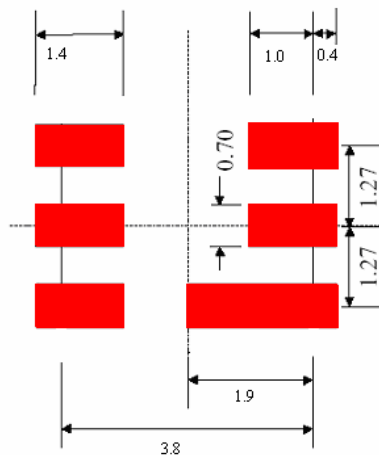


- B: Input
- E: Output
- A,C,D,F: Ground
- Δ: Year Code
- : Date Code (Follow the table provided by planner each year.)
- Unit: mm

Δ Product Year Code

Year	2005	2006
	2007	2008
	2009	2010
Product Code	A	a

**F. PCB FOOTPRINT:**





**311.06MHz SAW Filter**  
**Part No: MA09368**

**Model: TA0615A**  
**REV NO.: 2**

**H. REFLOW PROFILE:**

