

800.0MHz SAW Resonator

Model: TC0314A

Part No: MA09356

REV NO.: 1

A. FEATURES:

- 1-Port Resonator.

B. MAXIMUM RATING:

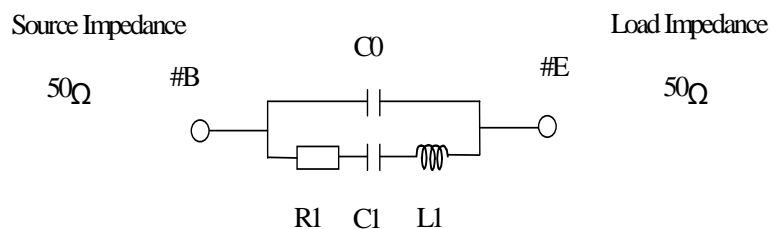
1. Input Power Level: 0 dBm
2. DC voltage: 12 V
3. Operating Temperature: -40°C to +85°C
4. Storage Temperature: -40°C to +85°C

C. ELECTRICAL CHARACTERISTICS:

Characteristic	Units	Minimum	Typical	Maximum
Center frequency Fr	MHz	799.925	800	800.075
Insertion Loss IL	dB		1.3	2.3
Unloaded Quality factor		-	8700	-
Equivalent Elements				
Motional capacitance C1	fF	-	1.46	-
Motional inductance L1	μH	-	26.9	-
Motional resistance R1	Ohm	-	15.47	-
Parallel capacitance Co	pF	-	2.59	-
Temp.coeff.	ppm/c*2	-	0.032	-
Turnover To	deg.C	-	25	-
Package size		SMD 3.8X3.8X1.4mm		

D. EQUIVALENT CIRCUIT:

One-Port Resonator:



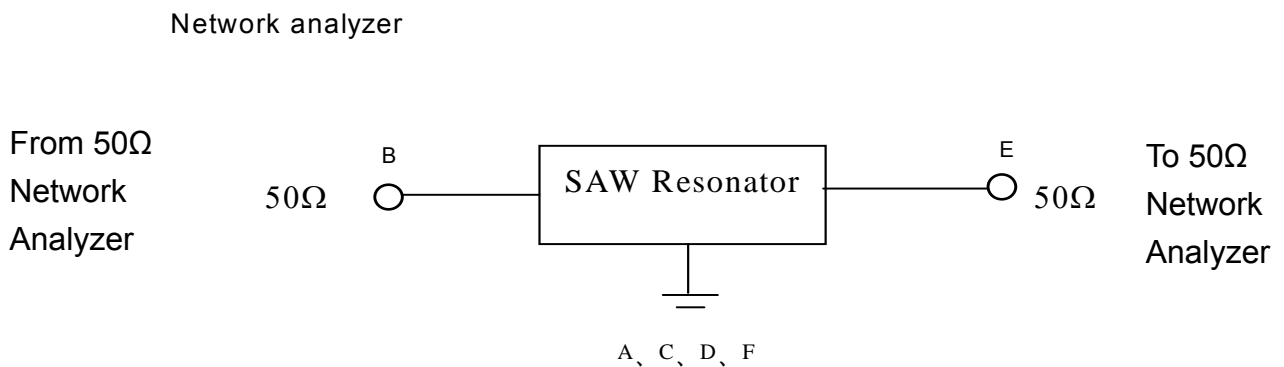
800.0MHz SAW Resonator
Part No: MA09356

Model: TC0314A
REV NO.: 1

E. FREQUENCY CHARACTERISTICS:



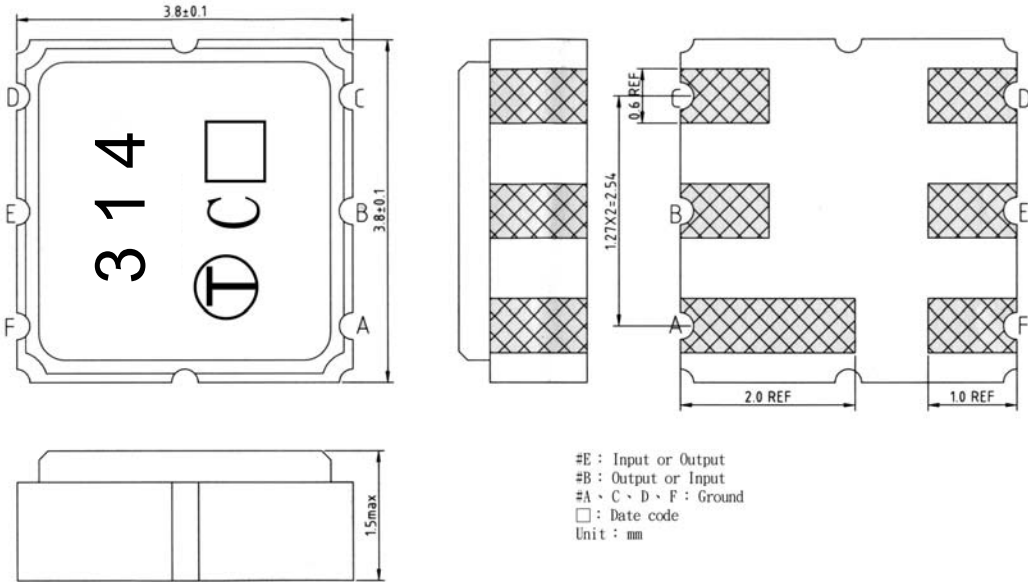
F. TEST CIRCUIT:



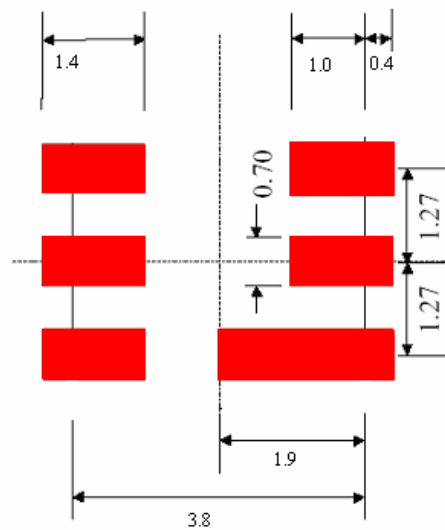
800.0MHz SAW Resonator
Part No: MA09356

Model: TC0314A
REV NO.: 1

G. OUTLINE DRAWING:



H. PCB FOOTPRINT:

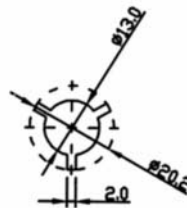
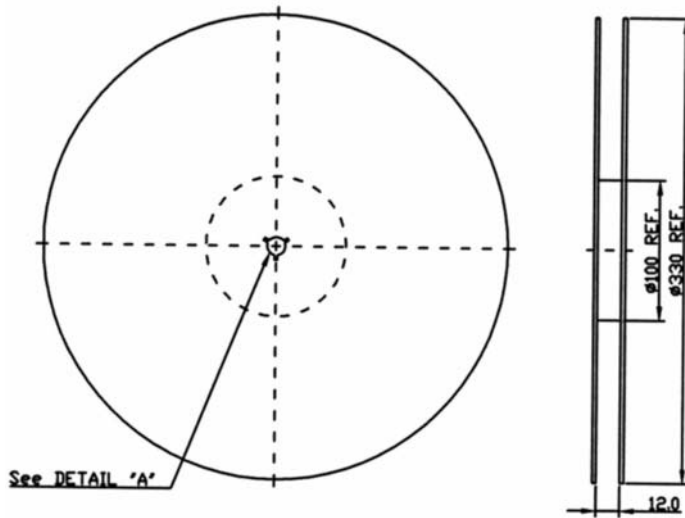


800.0MHz SAW Resonator
Part No: MA09356

Model: TC0314A
REV NO.: 1

I. PACKING:

1. REEL DIMENSION



2. TAPE DIMENSION

