

SAW Filter 433.0MHz

Model: TA0692A

Part No: MA09155

REV NO.:1

A. MAXIMUM RATING:

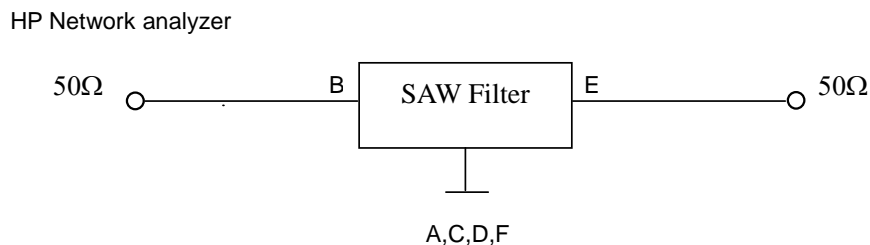
1. Input Power Level: 10 dBm
2. DC voltage: 3 V
3. Operating Temperature: -30°C to 72°C
4. Storage Temperature: -30°C to +85°C

B. CHARACTERISTICS:

Item		Specification			
		Unit	Min.	Typ.	Max.
Center Frequency	F _c	MHz	-	433	-
Insertion Loss	IL _{min}	dB	-	1.4	2.8
Bandwidth	BW _{-3dB}	MHz	20	22.9	-
Absolute Attenuation(reference to 0 dB)					
	10 ~ 410 MHz	dB	36	45	-
	470 ~ 680 MHz	dB	36	46	-
Source impedance	Z _s	Ω	-	50	-
Load impedance	Z _L	Ω	-	50	-
Temperature coefficient		ppm/k		-36	

Note: IL_{min} is the minimum of the pass band attenuation. The center frequency F_c is the mean value of the upper and lower frequencies at the 3dB filter attenuation level relative to the IL_{min}.

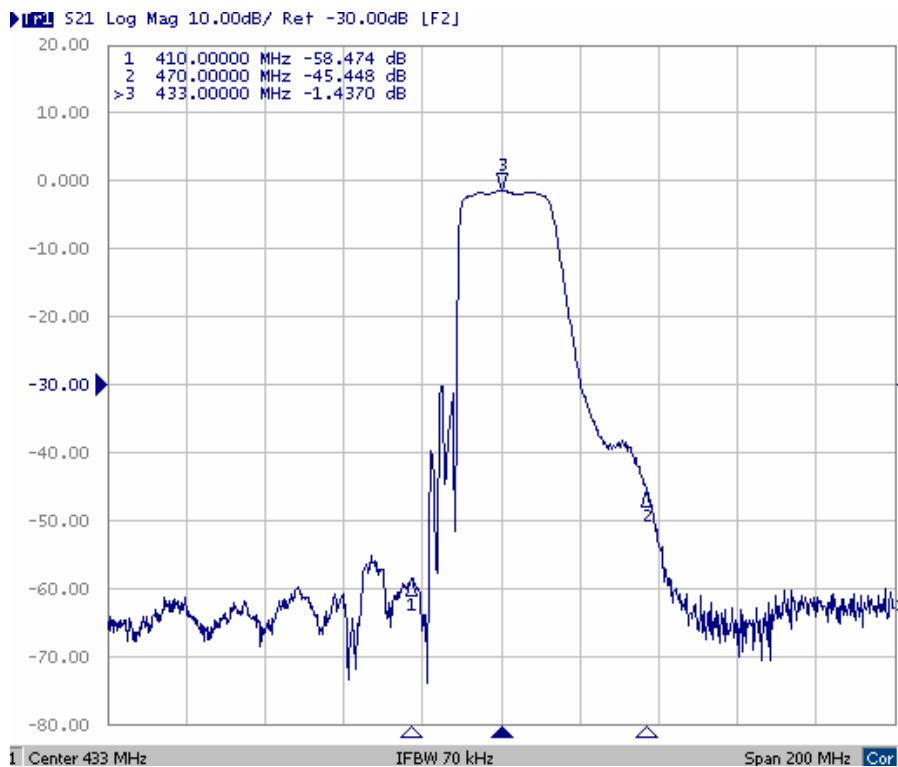
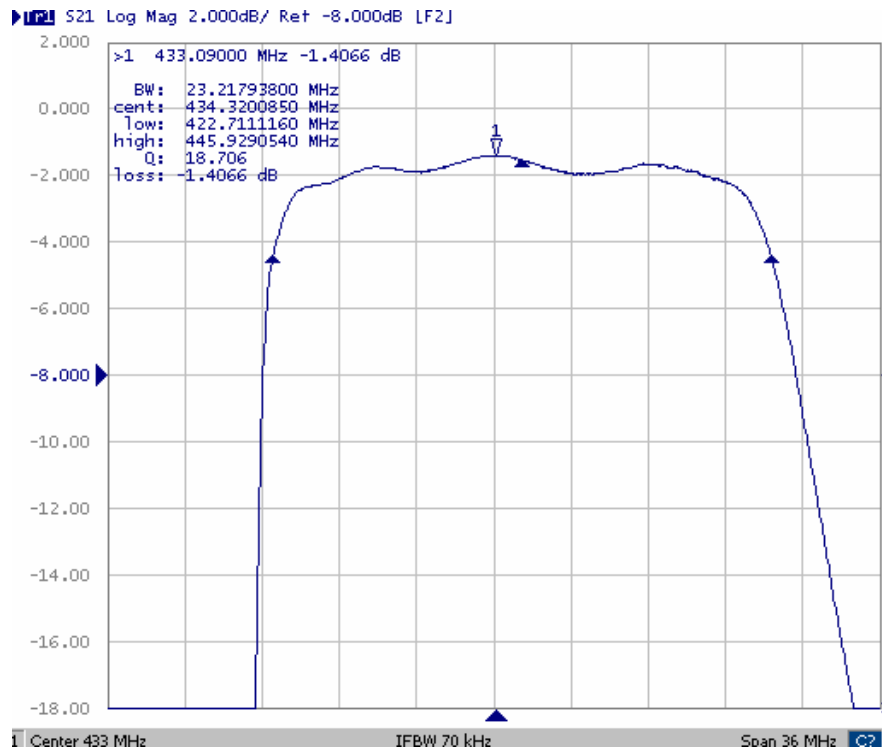
C. MEASUREMENT CIRCUIT:



SAW Filter 433.0MHz
Part No: MA09155

Model: TA0692A
REV NO.:1

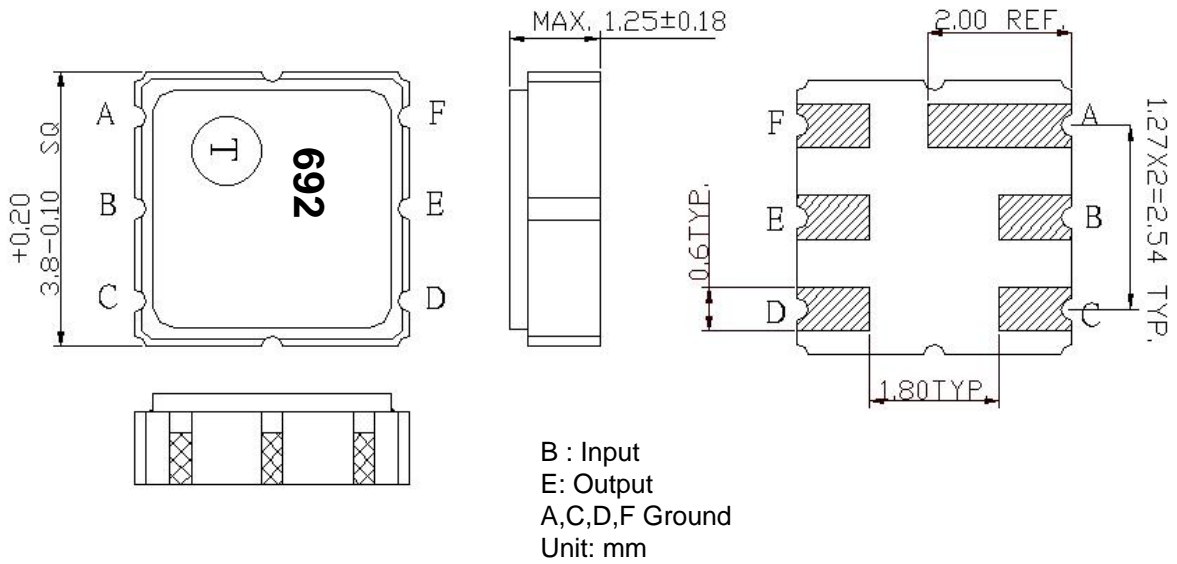
D. TRANSFER FUNCTION:



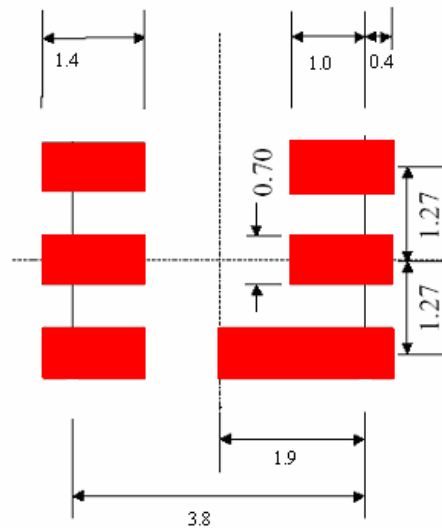
SAW Filter 433.0MHz
Part No: MA09155

Model: TA0692A
REV NO.:1

E. OUTLINE DRAWING:



F. PCB FOOTPRINT:

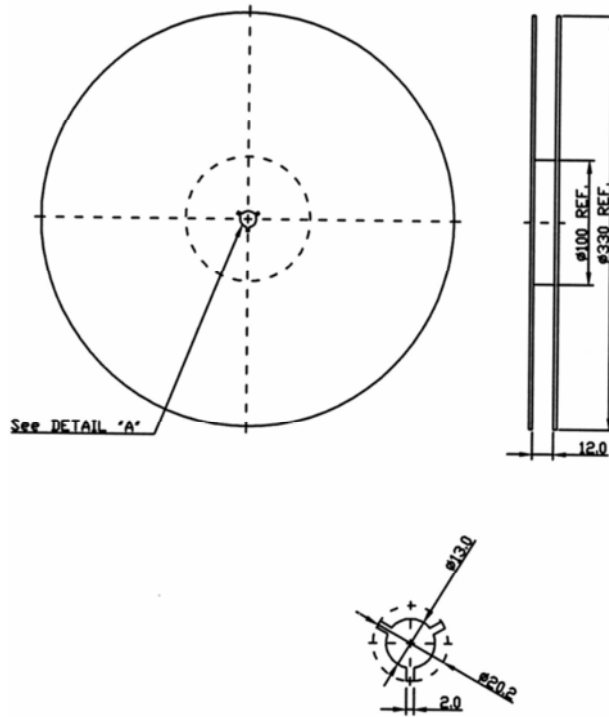


SAW Filter 433.0MHz
Part No: MA09155

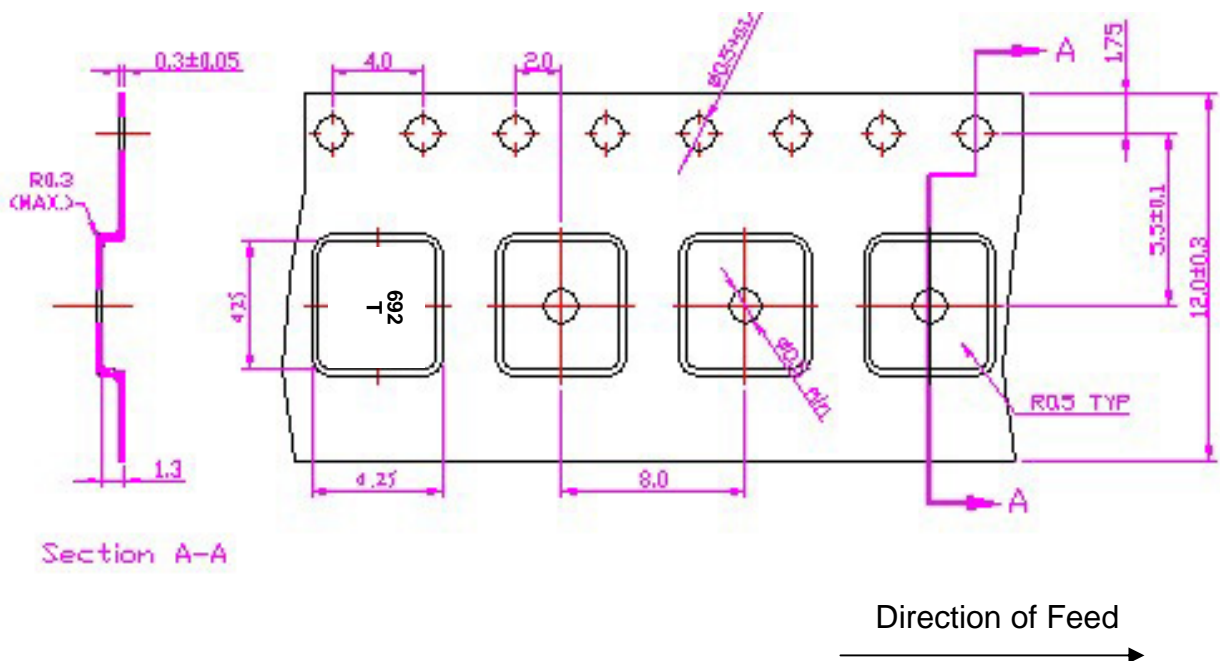
Model: TA0692A
REV NO.:1

G. PACKING:

1. REEL DIMENSION



2. TAPE DIMENSION



SAW Filter 433.0MHz
Part No: MA09155

Model: TA0692A
REV NO.:1

H. REFLOW PROFILE

