

SAW Filter 433.920MHz
Part No: MA08910

Model: TA0322A
Rev No: 1

A. MAXIMUM RATING:

1. Input Power Level: 10dBm
2. DC voltage: 3V
3. Operating Temperature: -40°C to +85°C
4. Storage Temperature: -40°C to +85°C

B. ELECTRICAL CHARACTERISTICS:

Reference temperature: TA = -40 to 85°C

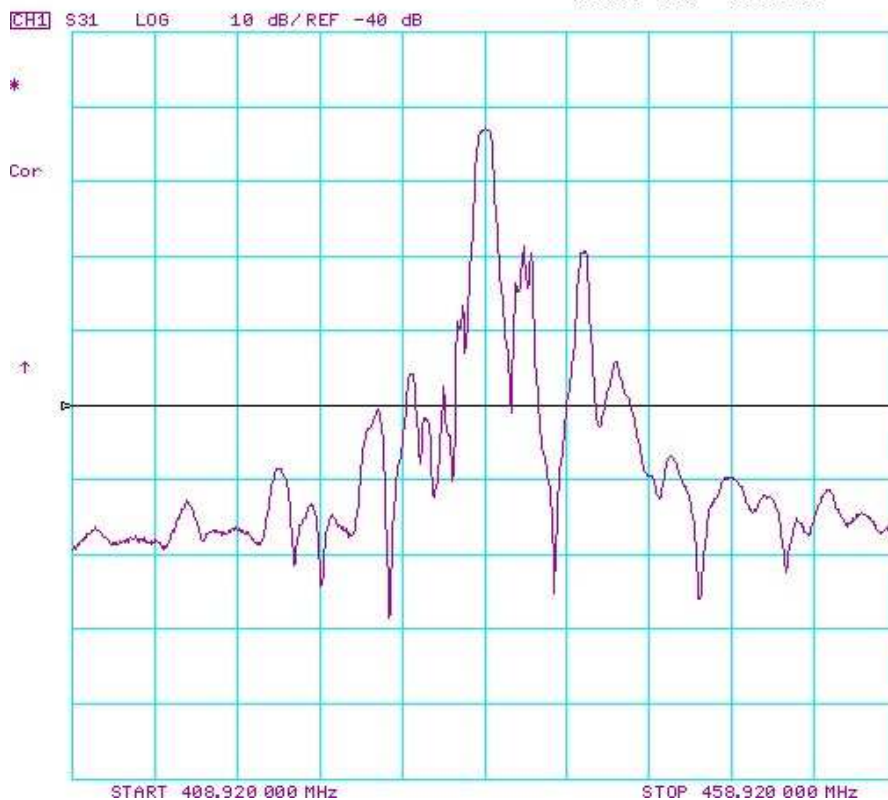
Item	Min.	Typ.	Max.	Note
Center frequency Fc (MHz)	-	433.92	-	1
Minimum IL (dB) IL min	-	3.0	4.0	
Pass band (relative to IL min) 433.67 ~ 434.17MHz (dB)	-	0.7	3.0	1
Pass bandwidth (relative to IL min) BW3 (kHz)	500	950	-	
Attenuation: (relative to IL min) (dB)				
410 ~ 412.52MHz (dB)	47	52	-	
412.52 ~ 423.22MHz (dB)	40	45	-	
423.22 ~ 432.92MHz (dB)	15	22	-	1
434.92 ~ 444.62MHz (dB)	10	15	-	
444.62 ~ 455.32MHz (dB)	38	43	-	
455.32 ~ 1000MHz (dB)	43	48	-	
Impedance at Fc; Input $Z_{IN} = R_{IN} // C_{IN}$ Output $Z_{OUT} = R_{OUT} // C_{OUT}$	865Ω // 2.5pF 865Ω // 2.5pF			
Turnover To (deg. C)				

Note 1. The standard definitions is in JIS C 6703

SAW Filter 433.920MHz
Part No: MA08910

Model: TA0322A
Rev No: 1

C. FREQUENCY CHARACTERISTICS:

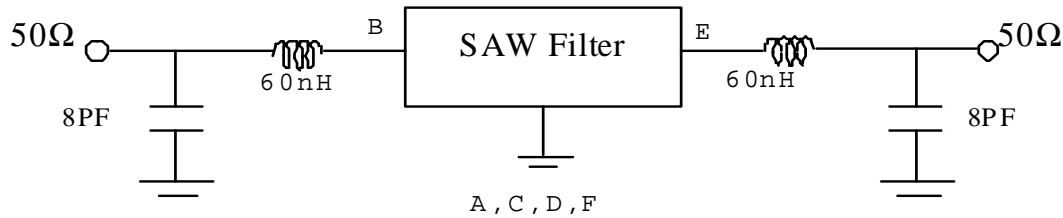


SAW Filter 433.920MHz
Part No: MA08910

Model: TA0322A
Rev No: 1

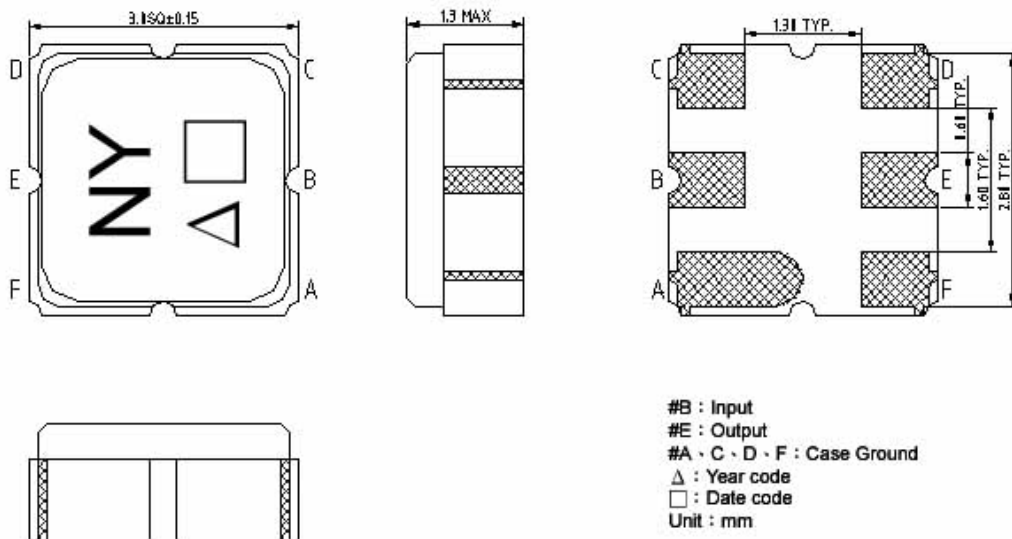
D. MEASUREMENT CIRCUIT:

HP Network analyzer

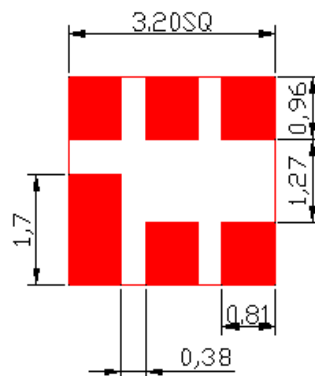


Matching inductance: from Coilcraft

E. OUTLINE DRAWING:



F. PCB FOOTPRINT:

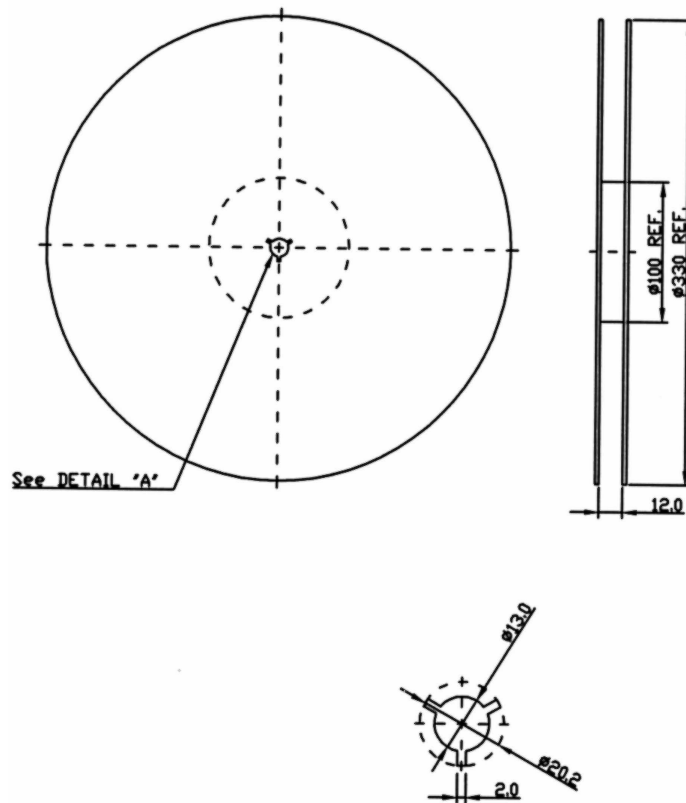


SAW Filter 433.920MHz
Part No: MA08910

Model: TA0322A
Rev No: 1

G. PACKING:

1. REEL DIMENSION



2. TAPE DIMENSION

