

**SAW Filter 140MHz**

**Model: TB0320A**

Part No: **MA08555**

REV. NO.: 1

**A. MAXIMUM RATINGS:**

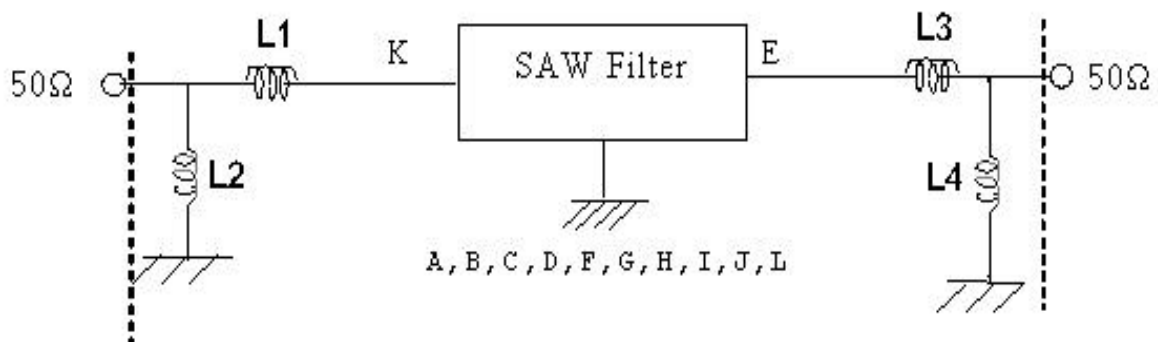
1. Input Power Level: 0 dBm
2. Operating Temperature: -40°C to 80°C
3. Storage Temperature: -40°C to 80°C

**B. ELECTRICAL CHARACTERISTICS:**

Item	Unit	Min.	Type.	Max.
Central Frequency (Fo)	MHz	-	140	-
Insertion Loss	dB	-	11	12.5
1dB Bandwidth	MHz	5.8	6.7	-
3dB Bandwidth	MHz	6.0	7.5	-
40 dB Bandwidth	MHz	-	10.8	11.5
Passband Ripple (Fc)	P-PdB	-	0.6	1.0
Group delay Ripple	Nsec	-	52	70
Ultimate Rejection DC~125 MHz	dBc	40	55	-
155~200 MHz	dBc	40	49	-
In/Out Impedance	Ohm	-	50	-

**C. TEST CIRCUIT:**

Network analyzer



Input: L1=33 nH; L2=22 nH  
 Output: L3= 22nH; L4=27 nH

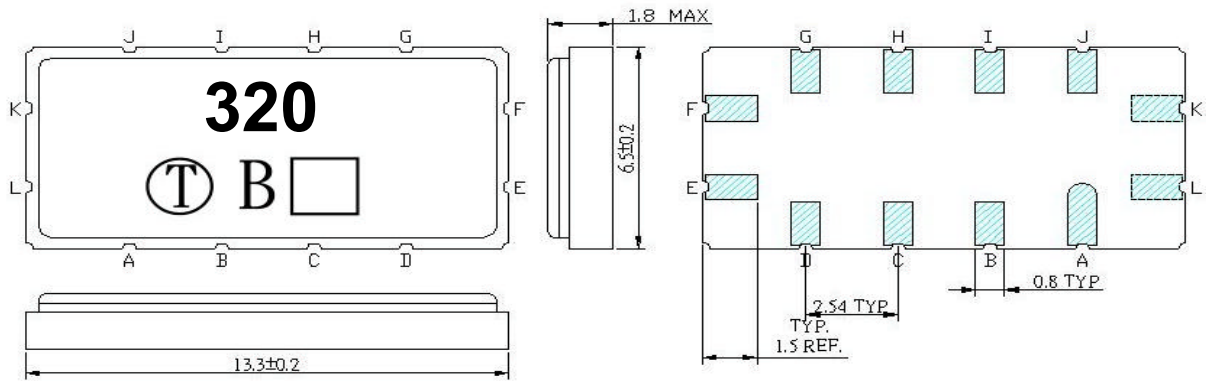
**SAW Filter 140MHz**

**Model: TB0320A**

**Part No: MA08555**

**REV. NO.: 1**

**D. OUTLINE DRAWING:**



Unit: mm

- 
- Pin K: Input
  - Pin E: Output
  - Pin L: Input Ground
  - Pin F: Output Ground
  - Pin A, B, C, D, G, H, I, J: To be Ground

**SAW Filter 140MHz**

**Model: TB0320A**

**Part No: MA08555**

**REV. NO.: 1**

**E. FREQUENCY CHARACTERISTICS:**

(1) wide band of Response: (span: 80MHz)

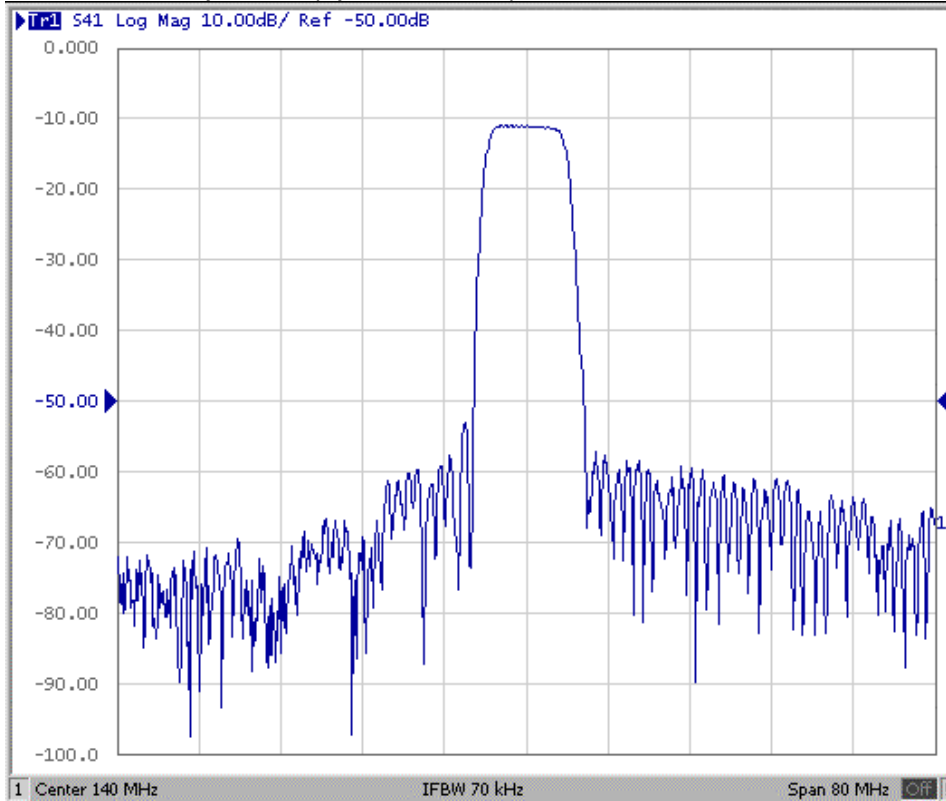


Fig1.S21 Response Horizontal:8MHz/Div Vertical: 10dB/Div

(2) Passband of Response: (span: 10MHz)

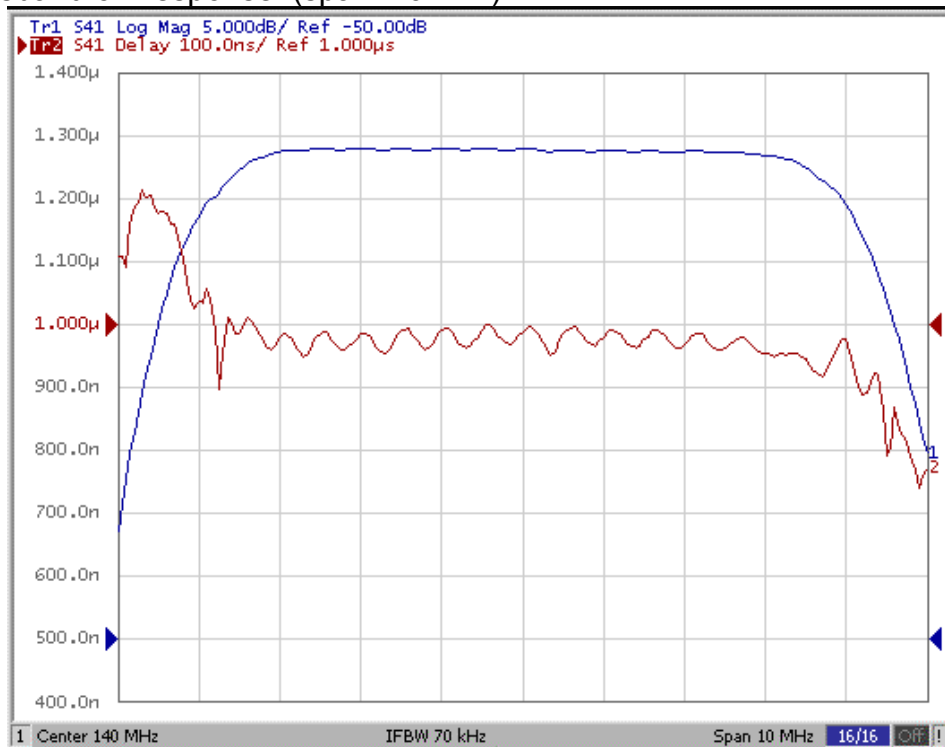


Fig2.S21 Response Horizontal:1MHz/Div Vertical: 5dB/Div

**SAW Filter 140MHz**

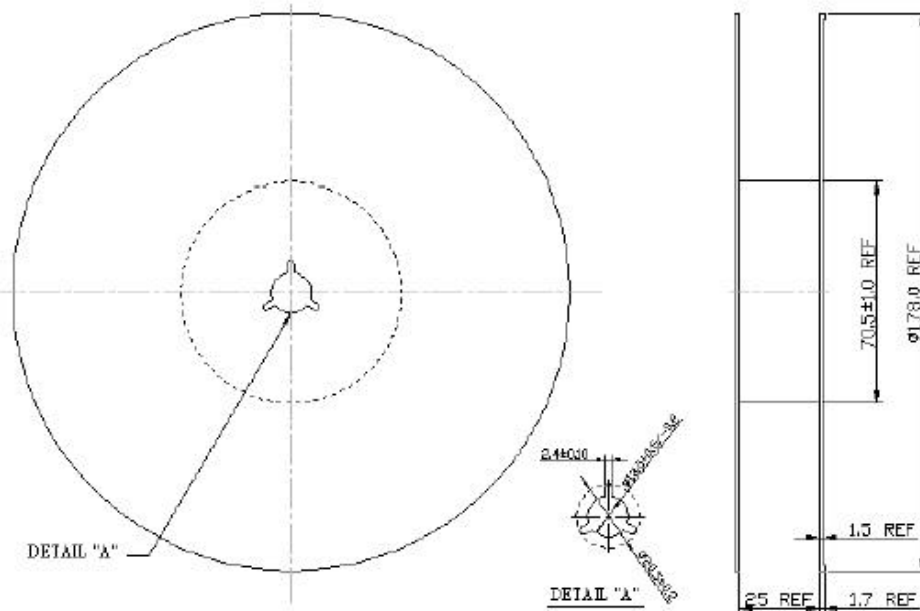
**Model: TB0320A**

Part No: **MA08555**

REV. NO.: 1

**F. PACKING:**

1. REEL DIMENSION:



2 TAPE DIMENSION:

