

SAW Filter 416.405MHz
Part No: MA08361

Model: TA0592A
Rev No: 1

A. MAXIMUM RATING:

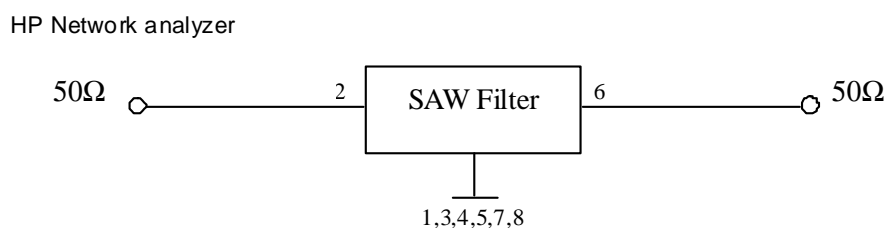
1. Input Power Level: 10dBm
2. DC voltage: 3V
3. Operating Temperature: +15°C to +35°C
4. Storage Temperature: -40°C to +85°C

B. CHARACTERISTICS:

Item		Min.	Typ.	Max.
Center frequency Fc	MHz	-	416.405	-
Insertion loss 413.9 ~ 418.9MHz IL	dB	-	2.2	3.6
Amplitude ripple 413.9 ~ 418.9MHz	dB	-	0.7	2.1
VSWR 413.9 ~ 418.9MHz	dB	-	1.3	2.1
Attenuation (Reference level from 0dB)				
1 ~ 379.0MHz	dB	40	50	-
379.0 ~ 394.0MHz	dB	31	50	-
394.0 ~ 405.5MHz	dB	10	35	-
442.0 ~ 469.0MHz	dB	37	50	-
469.0 ~ 550.0MHz	dB	40	50	-
Temperature coefficient of frequency	ppm/k	-	-36	-
Source impedance Z _S	Ω	-	50	-
Load impedance Z _L	Ω	-	50	-

Note1. No matching network required for operation at 50Ω

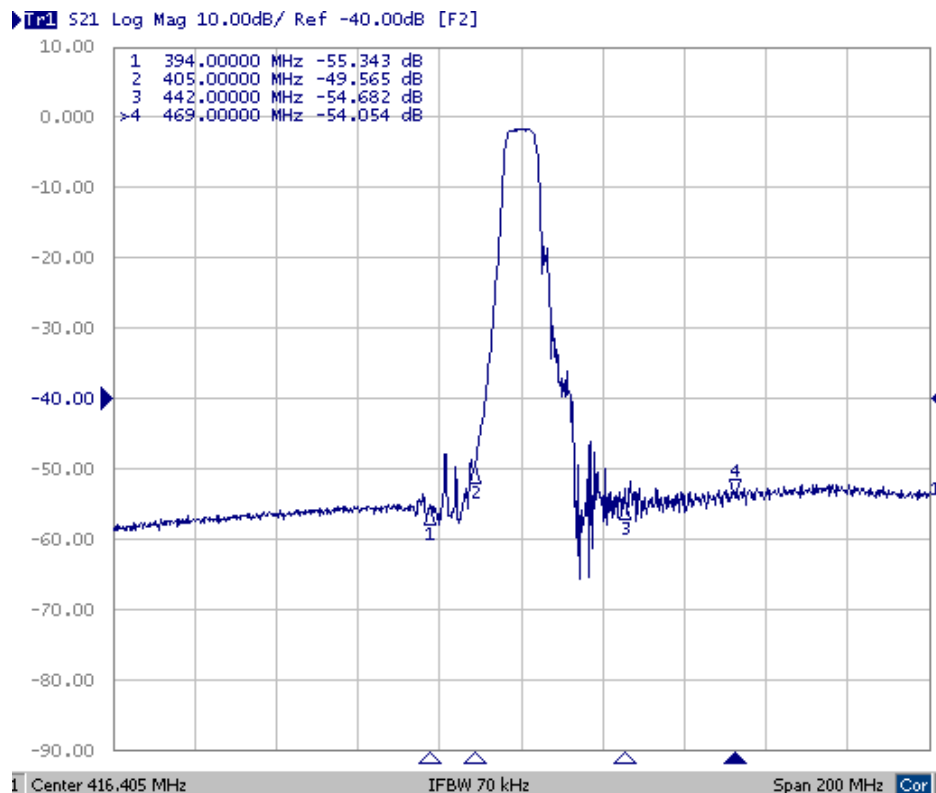
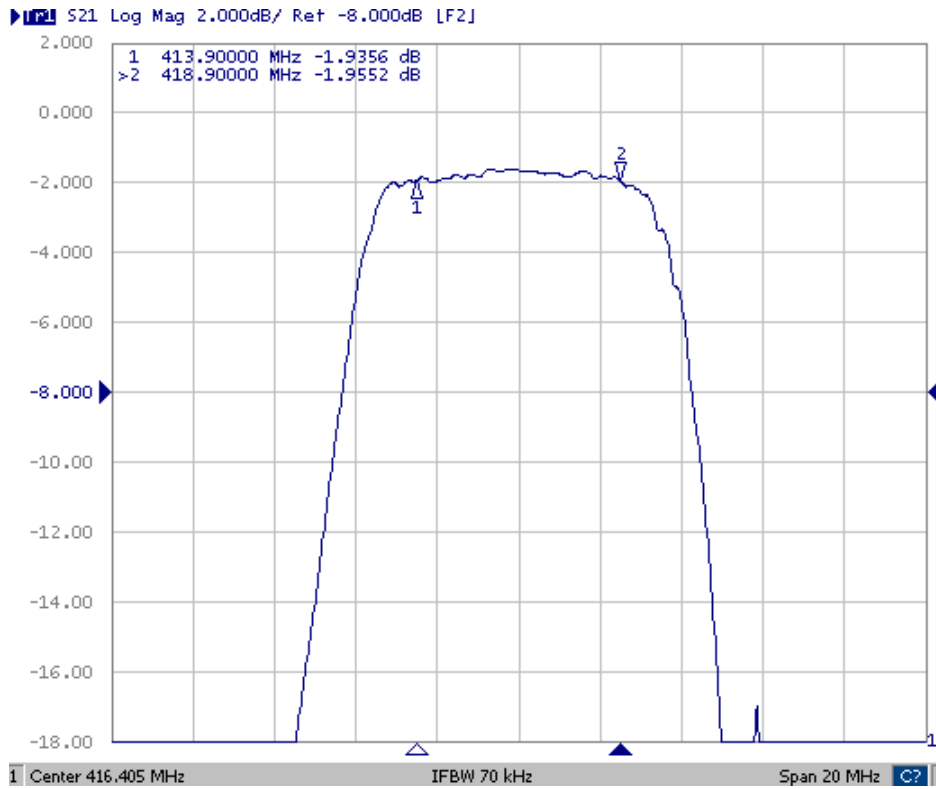
C. MEASUREMENT CIRCUIT:



SAW Filter 416.405MHz
Part No: MA08361

Model: TA0592A
Rev No: 1

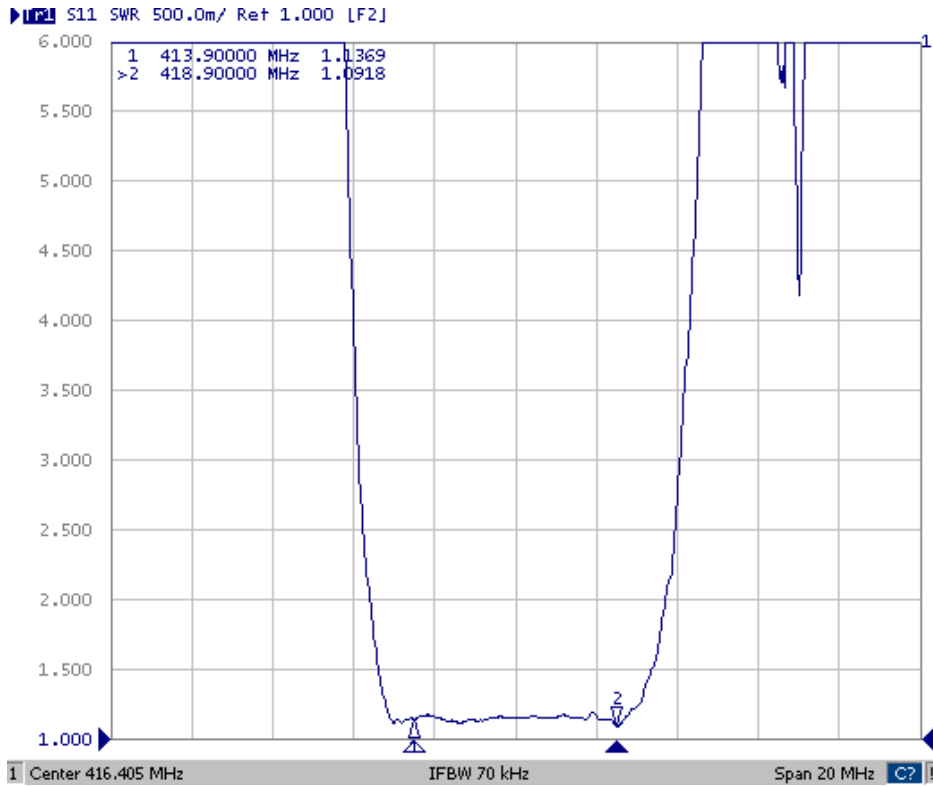
D. TRANSFER FUNCTION:



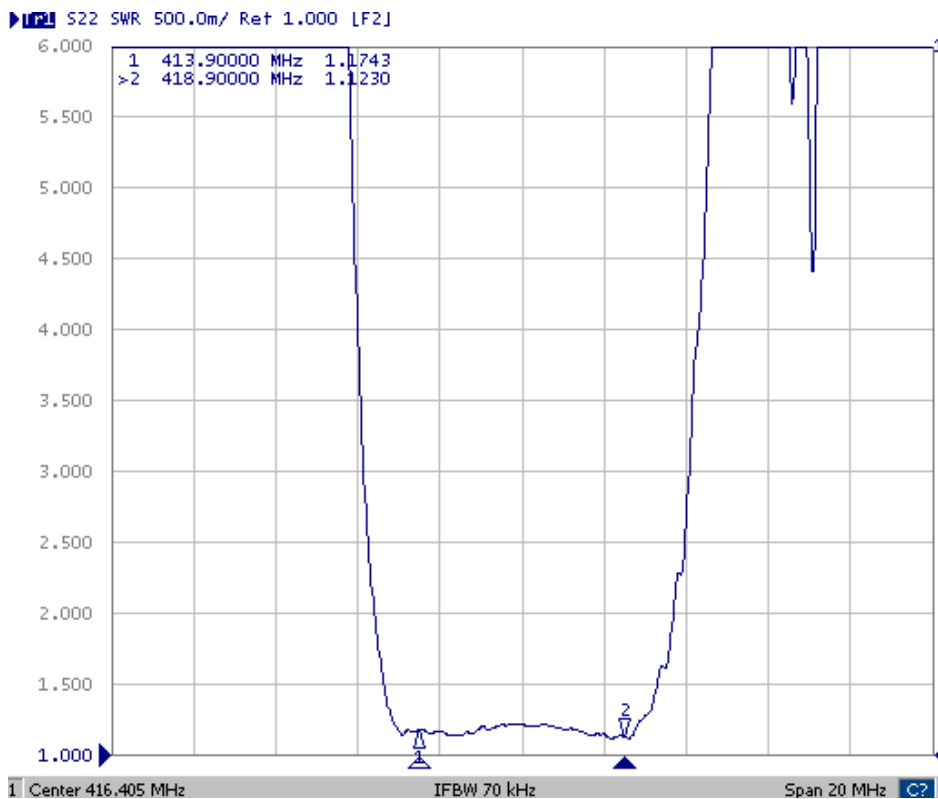
SAW Filter 416.405MHz
Part No: MA08361

Model: TA0592A
Rev No: 1

VSWR S11



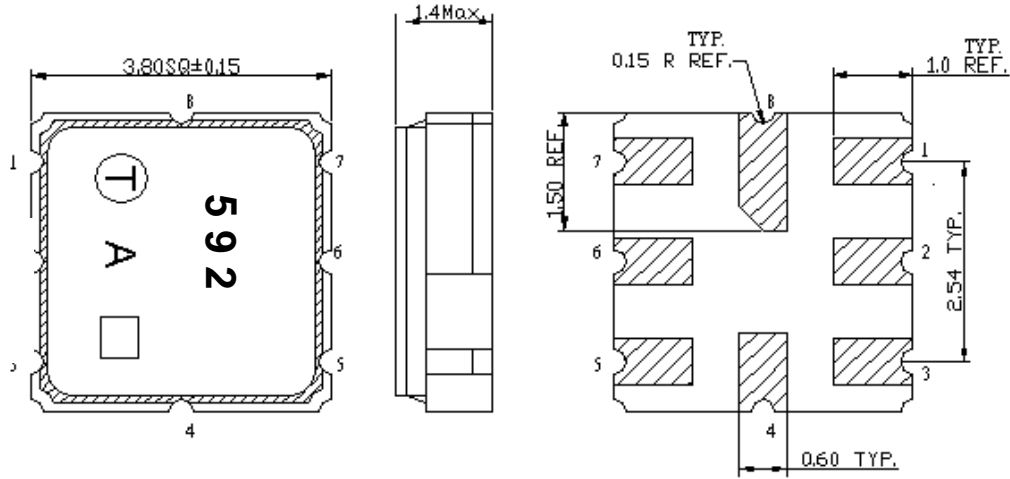
VSWR S22



SAW Filter 416.405MHz
Part No: MA08361

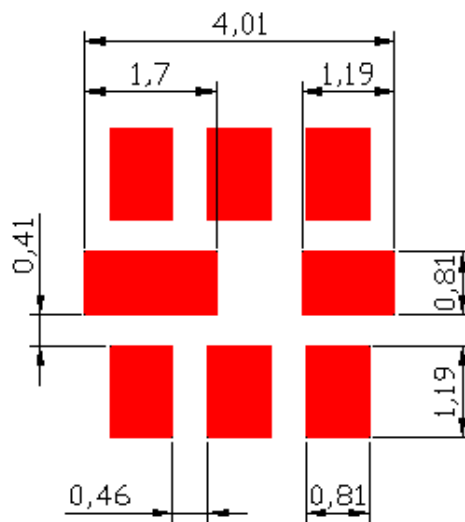
Model: TA0592A
Rev No: 1

E. OUTLINE DRAWING:



- 2: Input
- 6: Output
- 1, 3, 4, 5, 7, 8: Ground
- Unit: mm

F. PCB FOOTPRINT:

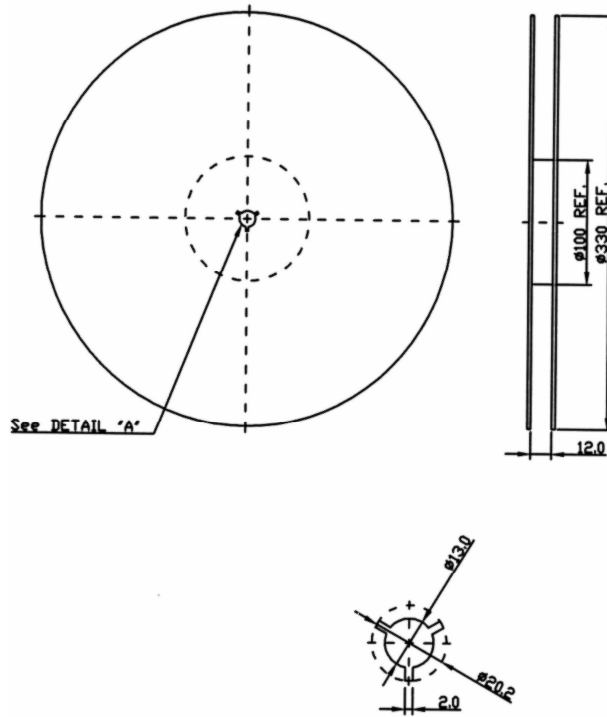


SAW Filter 416.405MHz
Part No: MA08361

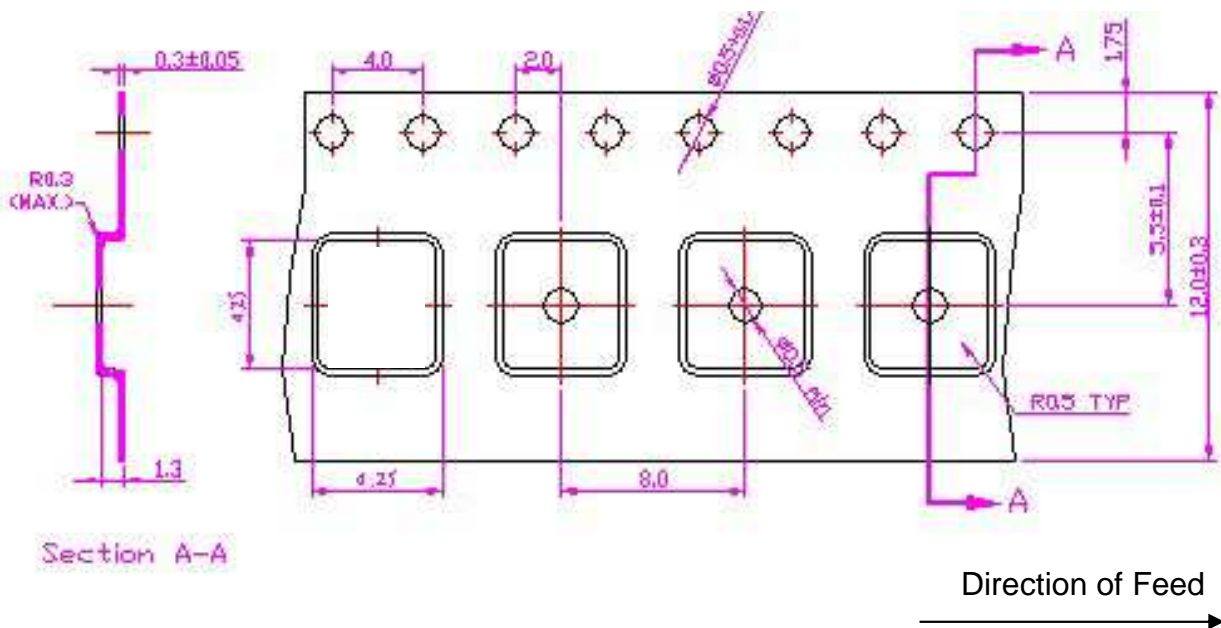
Model: TA0592A
Rev No: 1

G. PACKING:

1. REEL DIMENSION



2. TAPE DIMENSION



SAW Filter 416.405MHz
Part No: MA08361

Model: TA0592A
Rev No: 1

H. REFLOW PROFILE:

