

SAW Filter 70.0MHz

Model: TB0194A

Part No: MA08181

REV. NO.: 1

A. MAXIMUM RATING:

1. Input Power Level: 10 dBm

B. ELECTRICAL CHARACTERISTICS:

| Item | Unit | Min. | Type. | Max. | Note |
|--|--------|------|-------|-------|------|
| Center frequency, F_c | MHz | 69.8 | 70 | 70.2 | |
| Insertion Loss, IL | dB | - | 8 | 9 | |
| 1dB Bandwidth | MHz | 4.35 | 4.45 | - | |
| 3dB Bandwidth | dB | 5 | 5.5 | | |
| 40dB Bandwidth | MHz | | 8.64 | 10.25 | |
| Passband ripple (68.26MHz~71.74MHz) | dB | - | 0.78 | 1 | |
| Phase Linearity(68MHz~72MHz) (rms) | deg | - | 6.28 | 9.5 | |
| Group Delay ripple (68MHz~72MHz) | nS | | 119 | 150 | |
| Absolute Delay | μS | - | 0.84 | - | |
| Attenuation Reference level from Min IL) | | | | | |
| 0 ~ 64.875MHz | dB | 40 | 45 | - | |
| 75.125~140MHz | dB | 40 | 44 | - | |
| Substrate Material | - | - | YZ-LN | - | |
| Temperature Coefficient | ppm/°C | - | -94 | - | |
| Ambient Temperature | °C | - | 25 | - | |

SAW Filter 70.0MHz

Model: TB0194A

Part No: MA08181

REV. NO.: 1

C. FREQUENCY CHARACTERISTICS:

(1) S21 Response:

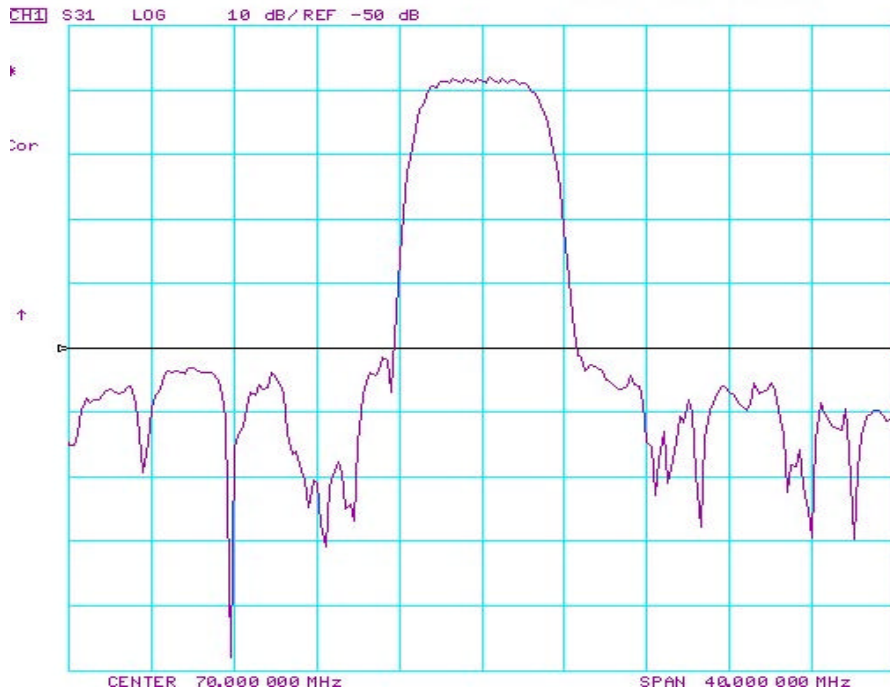


Fig-1 S21 Response Horizontal: 4MHz/Div
Vertical: 10dB/Div

(2) Passband of Response:

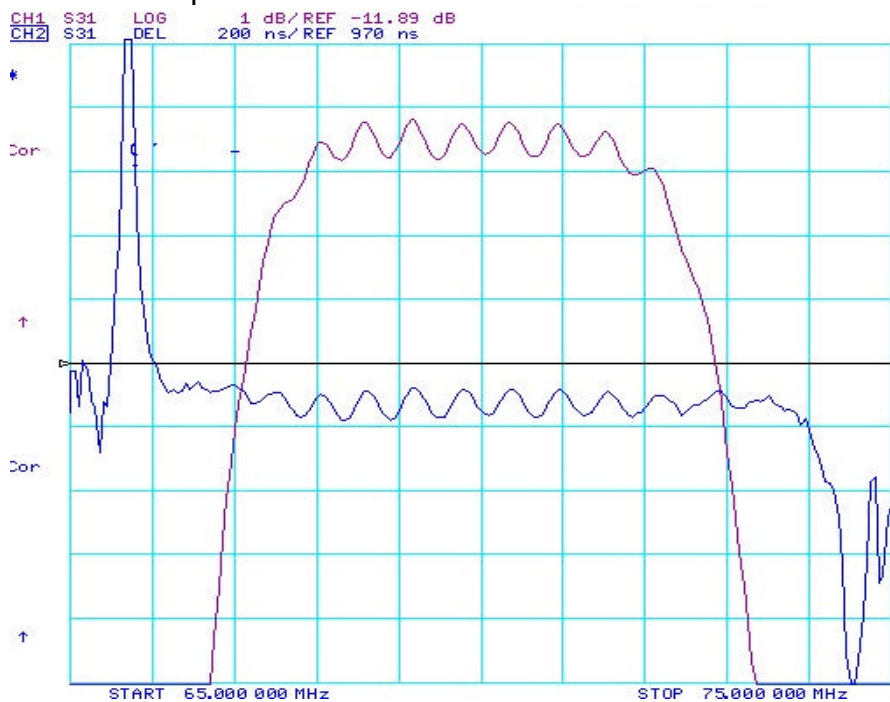


Fig-2 Group Delay and Ripple, Horizontal: 1MHz/Div
Vertical 1: 1 dB/Div Vertical 2: 200nS/Div

SAW Filter 70.0MHz

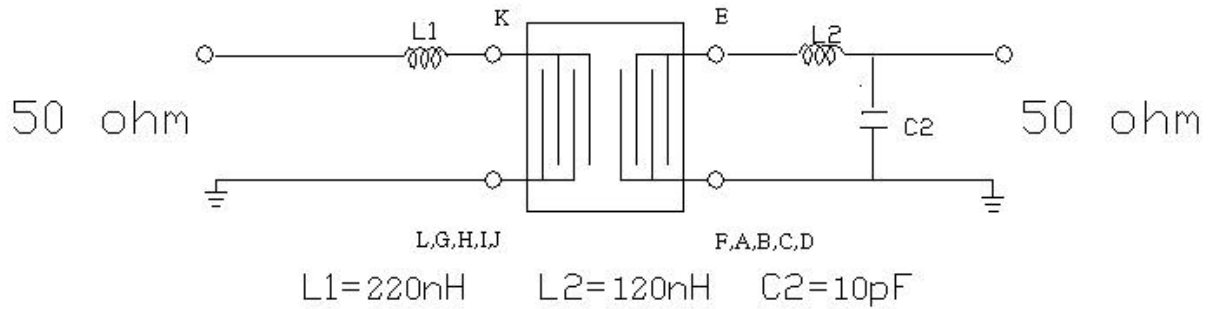
Model: TB0194A

Part No: **MA08181**

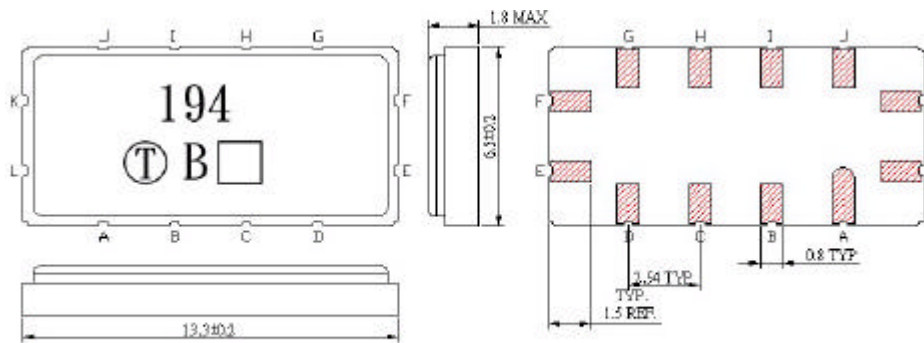
REV. NO.: 1

D. MEASUREMENT CIRCUIT:

1) For 50 ohm Unbalanced Input and Output



E. OUTLINE DRAWING:



Unit: mm

- Pin K: RF Input
- Pin E: RF Output
- Pin L: Input Ground
- Pin F: Output Ground
- Pin A,B,C,D,J,I,H,G: To be Ground