

**SAW Resonator 776.795MHz**

**Model: TC0188A**

**Part No: MA07194**

**REV. NO.: 1**

**A. FEATURES:**

1. 1-Port Resonator.

**B. MAXIMUM RATING:**

1. Input Power Level: 0 dBm
2. DC voltage: 12 V
3. Operating Temperature: -40°C to +85°C
4. Storage Temperature: -40°C to +85°C

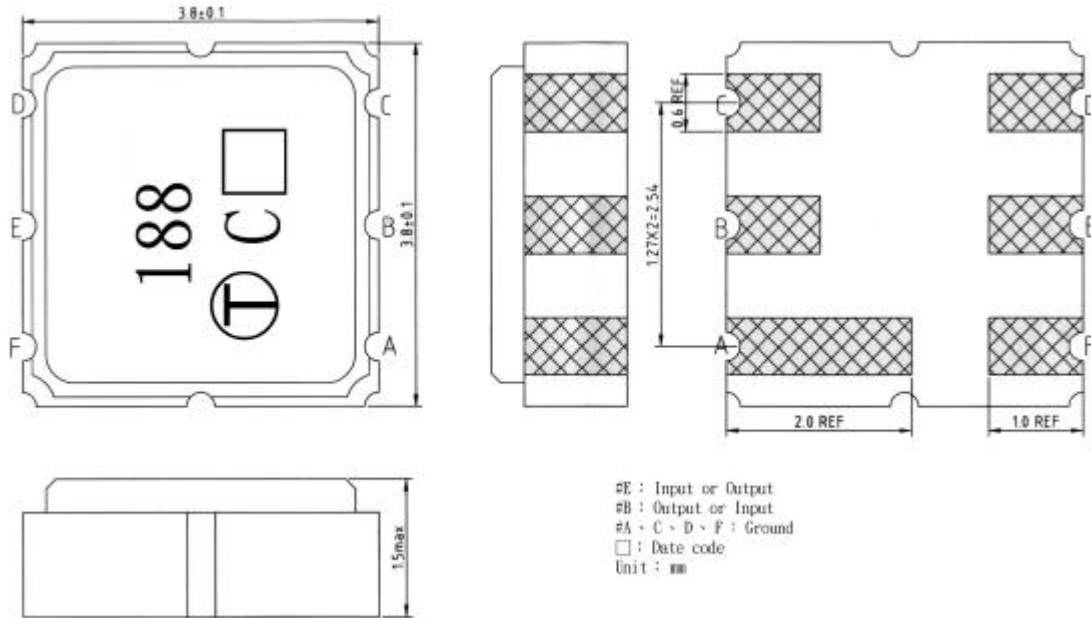
**C. ELECTRICAL CHARACTERISTICS:**

Characteristic	Units	Minimum	Typical	Maximum
Center frequency <b>Fr</b>	<b>MHz</b>	776.670	776.795	776.920
Insertion Loss <b>IL</b>	<b>dB</b>	-	1.0	2.0
Equivalent Elements				
Motional capacitance <b>C1</b>	<b>fF</b>	-	1.66	-
Motional inductance <b>L1</b>	<b>μH</b>	-	25.31	-
Motional resistance <b>R1</b>	<b>Ohm</b>	-	14.67	-
Parallel capacitance <b>Co</b>	<b>pF</b>	-	2.80	-
Temp.coeff.	<b>ppm/c*2</b>	-	0.032	-
Turnover To	<b>deg.C</b>	20	-	50
Package size		SMD 3.8X3.8X1.4mm		

**SAW Resonator 776.795MHz**  
**Part No: MA07194**

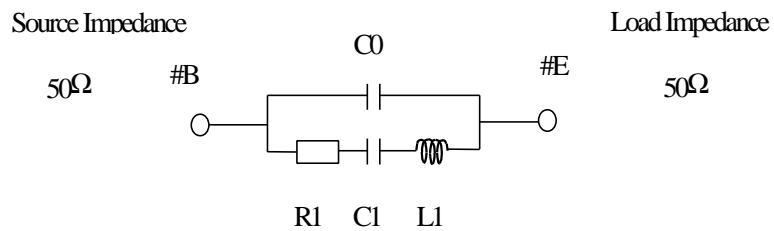
**Model: TC0188A**  
**REV. NO.: 1**

**D. OUTLINE DRAWING:**



**E. EQUIVALENT CIRCUIT:**

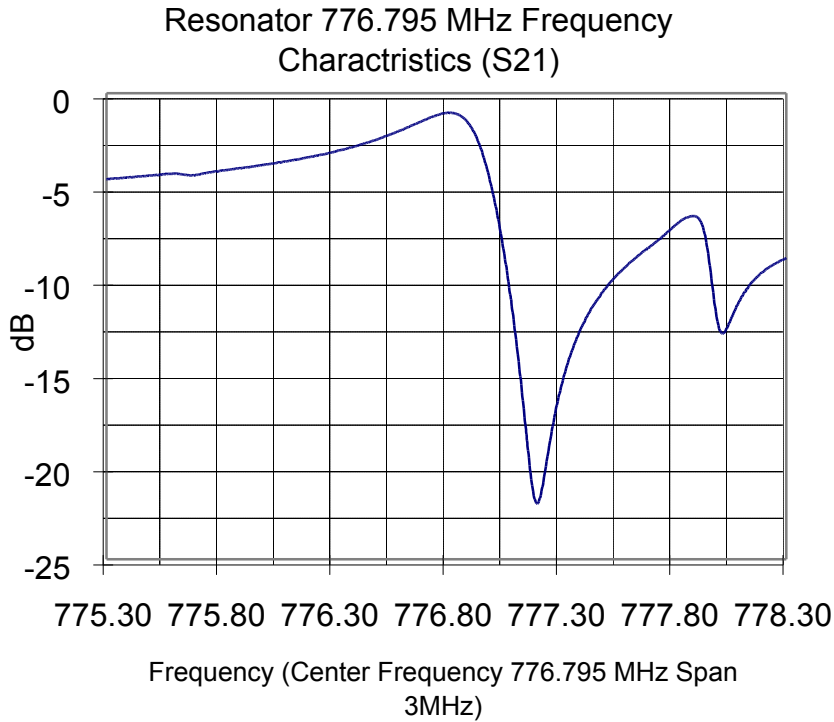
One-Port Resonator:



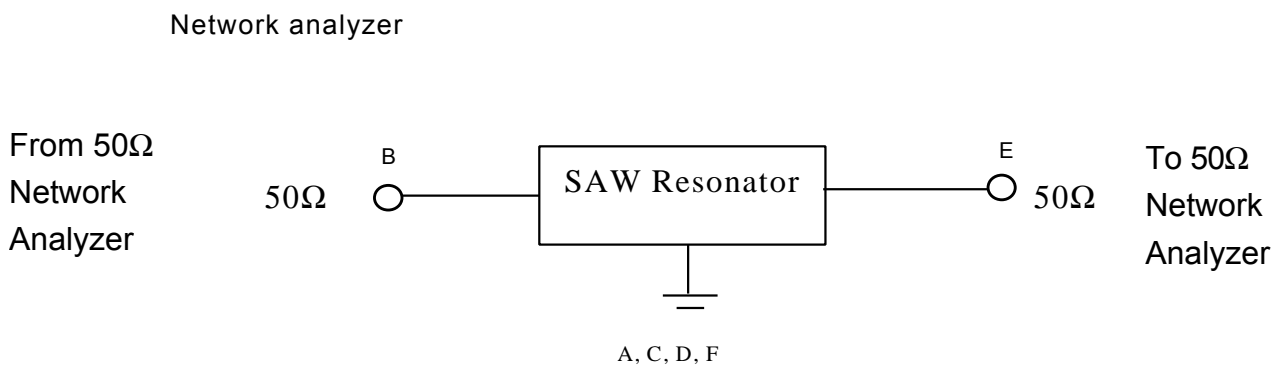
**SAW Resonator 776.795MHz**  
**Part No: MA07194**

**Model: TC0188A**  
**REV. NO.: 1**

**F. FREQUENCY CHARACTERISTICS:**



**G. TEST CIRCUIT:**

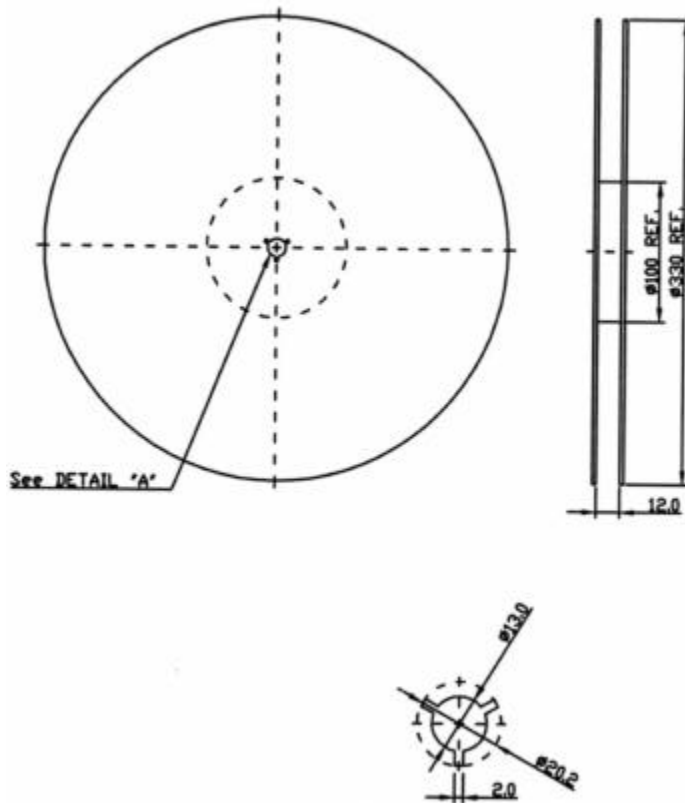


**SAW Resonator 776.795MHz**  
Part No: **MA07194**

**Model: TC0188A**  
REV. NO.: 1

**H. PACKING:**

1. REEL DIMENSION



2. TAPE DIMENSION

