

**SAW Filter 281MHz**  
**Part No: MA06299**

**Model: TA0204A**  
**Rev No: 1**

**A. MAXIMUM RATING:**

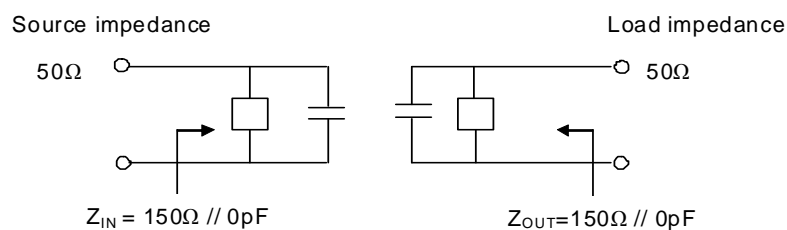
1. Input Power Level: 0dBm
2. DC voltage: 10V
3. Operating Temperature: -10°C to +50°C
4. Storage Temperature: -40°C to +85°C

**B. ELECTRICAL CHARACTERISTICS:**

Characteristics	Specification	Note
Center frequency Fc (MHz)	281	1
IL (Within Fc ± 4MHz) (dB)	4.5 max.	
Pass band BW 4.5dB (MHz)	8.0 min.	1
Ripple (Within Fc ± 4MHz) (dB)	2.0 max.	1
Attenuation: (Reference level from 0dB)		
Fc -100MHz to -37.5MHz (dB)	48 min.	1
Fc +37.5MHz to +100MHz (dB )	48 min.	
Impedance at Fc: Input Z <sub>IN</sub> = R <sub>IN</sub> // C <sub>IN</sub>	150Ω // 0pF	2
Output Z <sub>OUT</sub> = R <sub>OUT</sub> // C <sub>OUT</sub>	150Ω // 0pF	2

Note 1. The standard definitions is in JIS C 6703

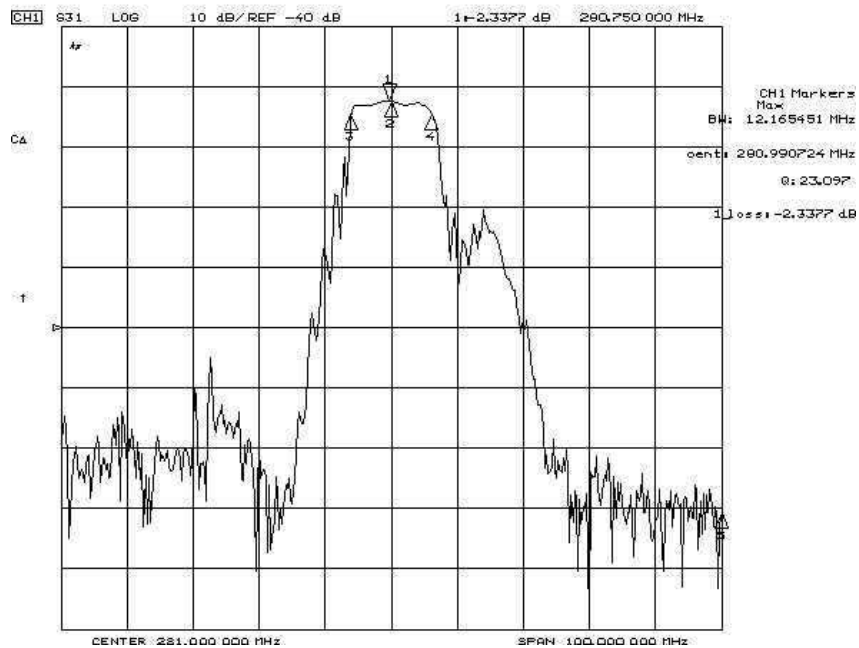
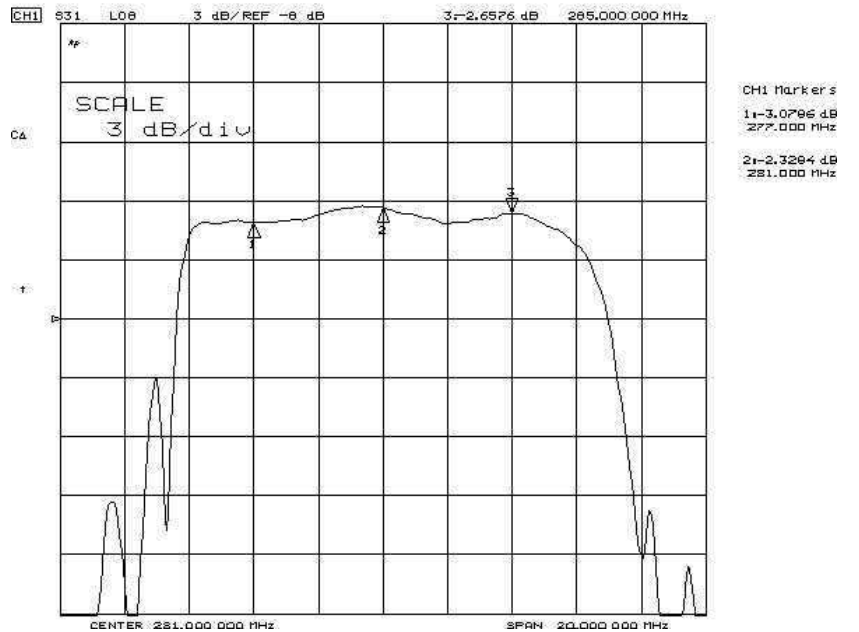
Note 2.



**SAW Filter 281MHz**  
**Part No: MA06299**

**Model: TA0204A**  
**Rev No: 1**

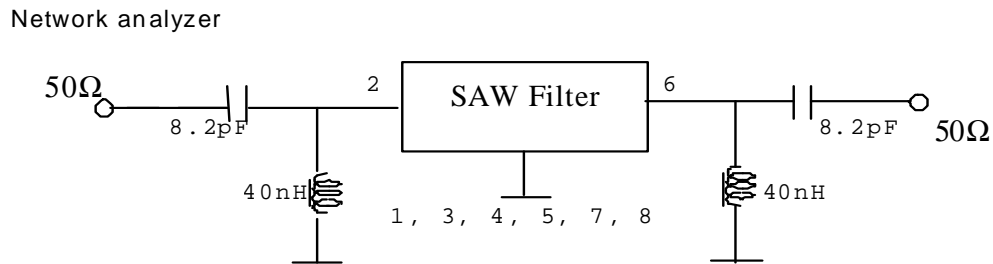
**C. FREQUENCY CHARACTERISTICS:**



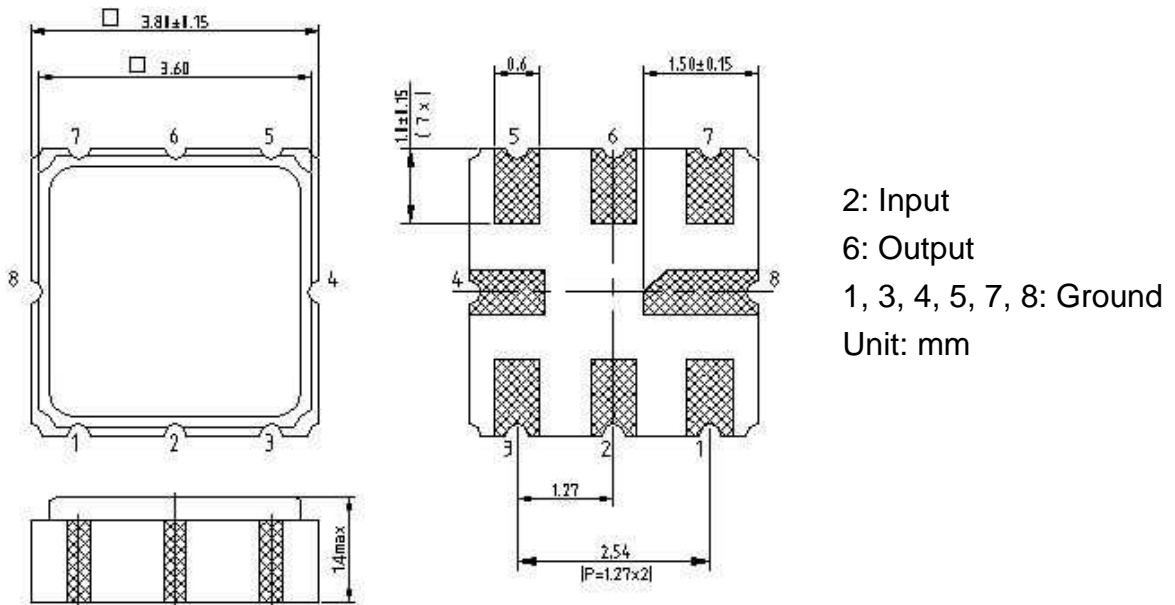
**SAW Filter 281MHz**  
**Part No: MA06299**

**Model: TA0204A**  
**Rev No: 1**

**D. MEASUREMENT CIRCUIT:**



**E. OUTLINE DRAWING:**

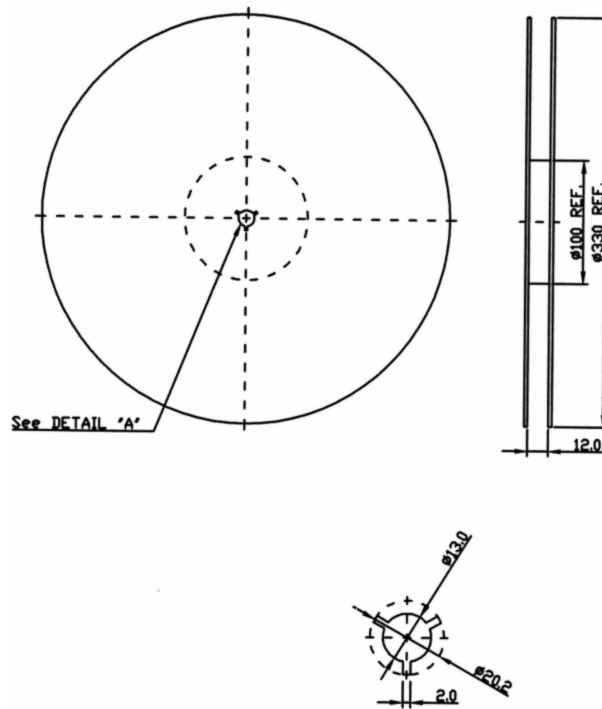


**SAW Filter 281MHz**  
**Part No: MA06299**

**Model: TA0204A**  
**Rev No: 1**

**F. PACKING:**

**1. REEL DIMENSION**



**2. TAPE DIMENSION**

