

SAW Filter 433.92MHz
Part No: MA05994

Model: TA0307A
Rev No: 1

A. MAXIMUM RATING:

1. Input Power Level: 10dBm
2. DC voltage: 0V
3. Operating Temperature: -45°C to +120°C
4. Storage Temperature: -45°C to +120°C

B. ELECTRICAL CHARACTERISTICS:

Reference temperature: TA = -40 to 95°C

Item	Min.	Typ.	Max.	Note
Center frequency Fc (MHz)	-	433.92	-	1
Minimum IL (433.8 ~ 434.12MHz) (dB) IL min	-	2.2	4.0	
Pass band (relative to IL min)				
433.76 ~ 434.08MHz (dB)	-	-	2.0	1
433.74 ~ 434.10MHz (dB)	-	-	3.0	
433.68 ~ 434.16MHz (dB)	-	-	6.0	
Pass bandwidth (relative to IL min) BW3 (kHz)	670	720	-	
Attenuation: (relative to IL min) (dB)				
10 ~ 414MHz (dB)	45	48	-	1
414 ~ 427.5MHz (dB)	40	43	-	
427.5 ~ 432.84MHz (dB)	20	25	-	
434.92 ~ 442MHz (dB)	10	15	-	
442 ~ 55 MHz (dB)	35	38	-	
550 ~ 1000 MHz (dB)	45	50	-	
Impedance at Fc; Input Z _{IN} = R _{IN} // C _{IN} Output Z _{OUT} = R _{OUT} // C _{OUT}	227Ω // 3.3pF 227Ω // 3.3pF			
Turnover To (°C)	25 typ.			

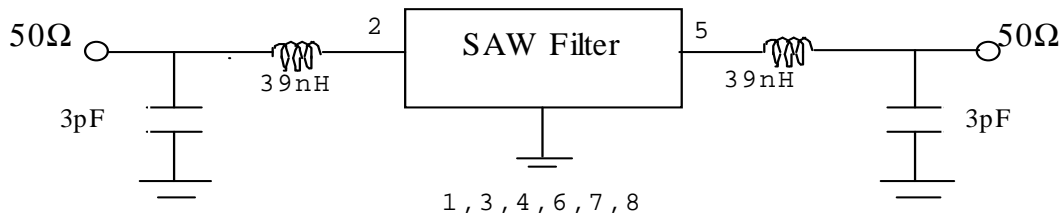
Note 1: The standard definitions is in JIS C 6703

SAW Filter 433.92MHz
Part No: MA05994

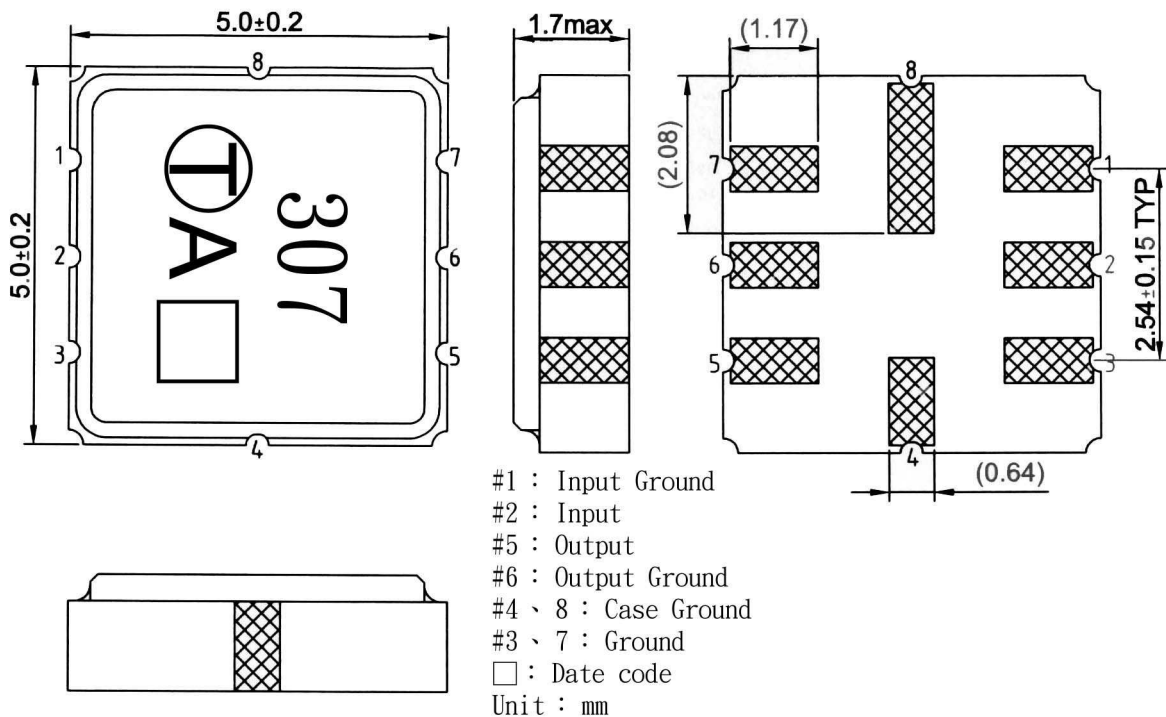
Model: TA0307A
Rev No: 1

C. MEASUREMENT CIRCUIT:

HP Network analyzer



D. OUTLINE DRAWING:



SAW Filter 433.92MHz
Part No: MA05994

Model: TA0307A
Rev No: 1

E. FREQUENCY CHARACTERISTICS:

