

**SAW Filter 420MHz**  
**Part No: MA05223**

**Model: TA0311A**  
**Rev No: 1**

**A. MAXIMUM RATING:**

1. Input Power Level: 10dBm
2. DC voltage: 3V
3. Operating Temperature: 0°C to +50°C
4. Storage Temperature: -40°C to +85°C

**B. ELECTRICAL CHARACTERISTICS:**

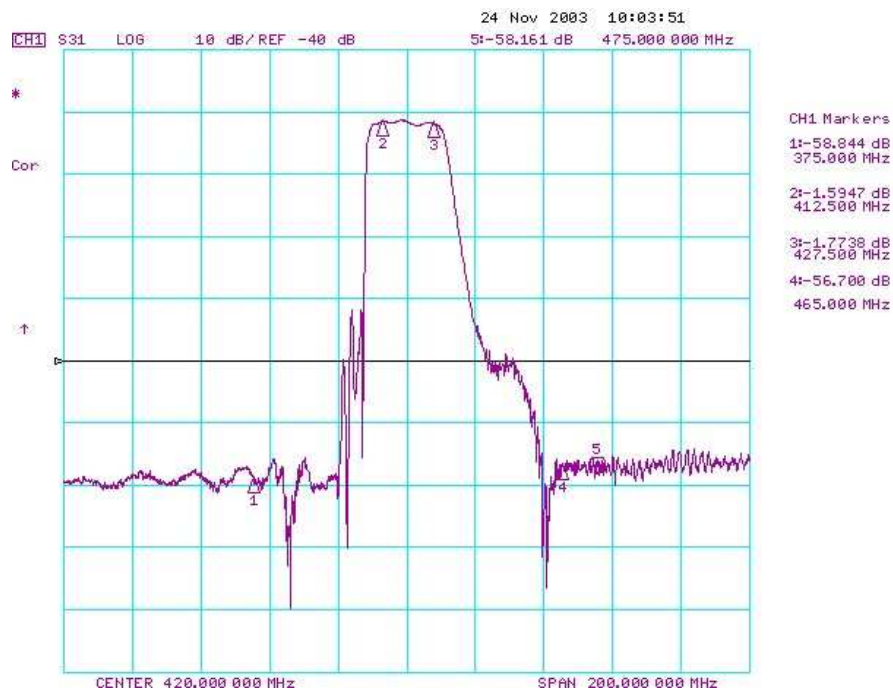
Item	Unit	Min.	Typ.	Max.
Center frequency $F_c$	MHz	-	420	-
Insertion Loss 412.5 ~ 427.5MHz	dB	-	2.3	4.0
Ripple 412.5 ~ 427.5MHz	dB	-	0.9	2.0
Absolute Attenuation: (Reference level from 0dB)				
$F_c -45$ to $F_c -100$ MHz	dB	40	56	-
$F_c +45$ to $F_c +55$ MHz	dB	30	56	-
$F_c +55$ to $F_c +100$ MHz	dB	40	54	-
Source impedance $Z_s$	$\Omega$	-	50	-
Load impedance $Z_L$	$\Omega$	-	50	-

Note: No matching network required for operation at 50 $\Omega$

**SAW Filter 420MHz**  
**Part No: MA05223**

**Model: TA0311A**  
**Rev No: 1**

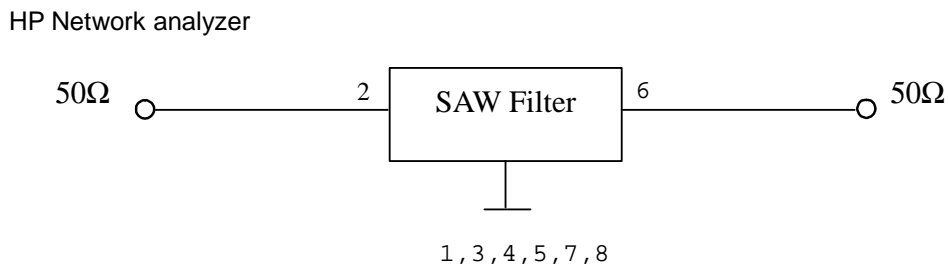
**C. FREQUENCY CHARACTERISTICS:**



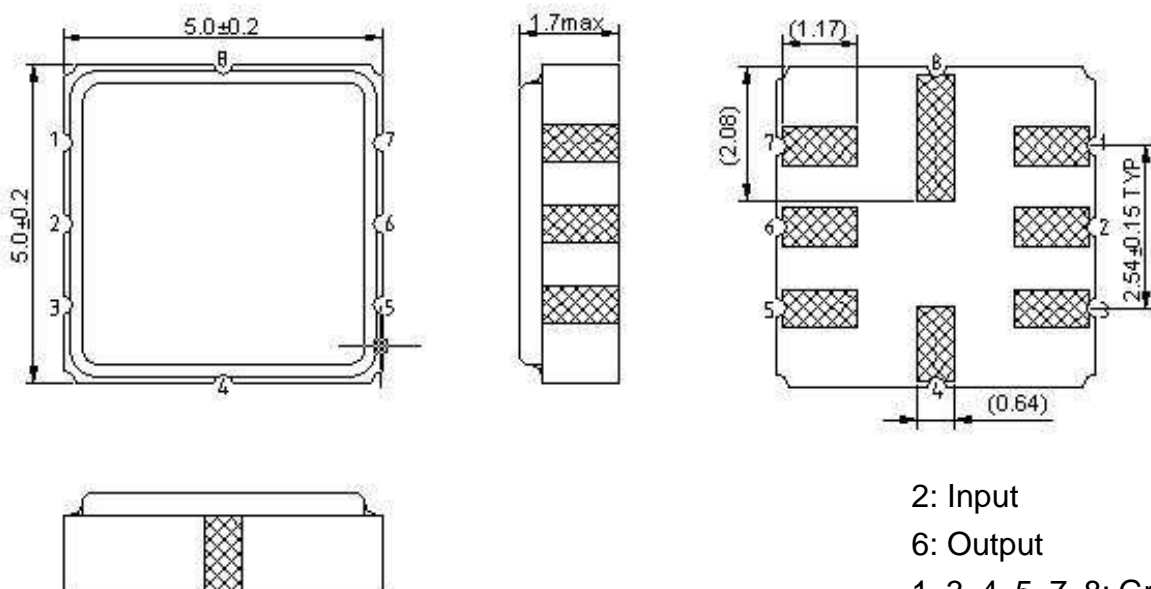
**SAW Filter 420MHz**  
**Part No: MA05223**

**Model: TA0311A**  
**Rev No: 1**

**D. MEASUREMENT CIRCUIT:**



**E. OUTLINE DRAWING:**



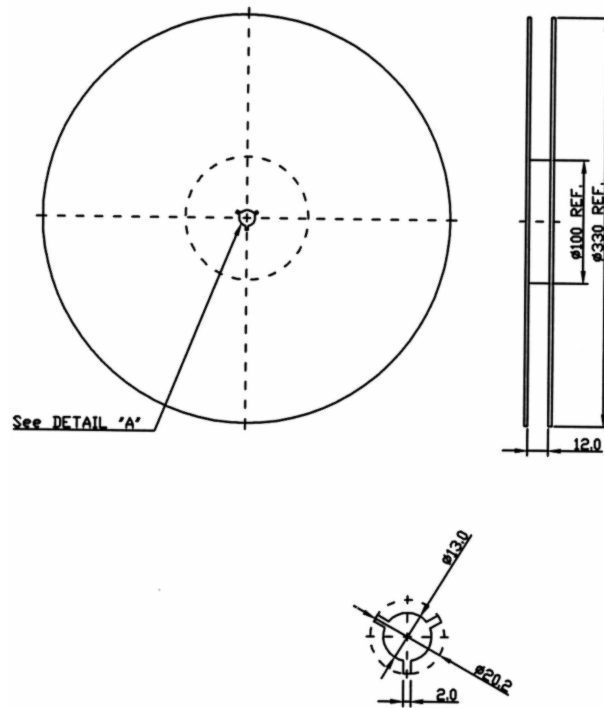
2: Input  
 6: Output  
 1, 3, 4, 5, 7, 8: Ground  
 Unit: mm

**SAW Filter 420MHz**  
**Part No: MA05223**

**Model: TA0311A**  
**Rev No: 1**

**F. PACKING:**

**1. REEL DIMENSION**



**2. TAPE DIMENSION**

