

**SAW Filter 139MHz**  
**Part No: MA05174**

**Model: TA139E1**  
**REV. NO: 2**

**A. MAXIMUM RATING:**

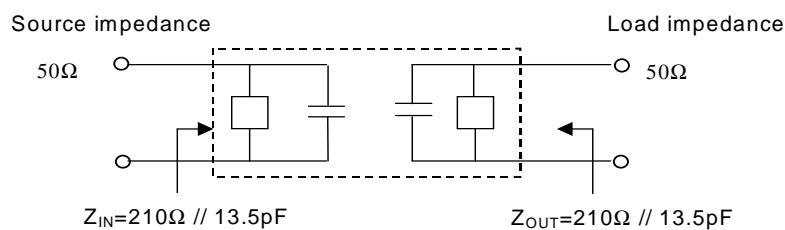
1. Input Power Level: 0dB
2. DC voltage: 10V
3. Storage Temperature: -40°C to +85°C
4. Operating Temperature: -10°C to +50°C

**B. ELECTRICAL CHARACTERISTICS:**

Item	Unit	Min.	Typ.	Max.
Center frequency Fc	MHz	-	139	-
Insertion Loss IL (Fc ± 4MHz)	dB	-	-	6.5
Attenuation (Reference level from 0dB)	dB			
Fc - 100MHz to -38.8MHz	dB	50	-	-
Fc + 38.8MHz to + 100MHz	dB	42	-	-
Input/Output Impedance at Fc	Ω//pF	Z <sub>in</sub> : 210 // 13.5, Z <sub>out</sub> : 210 // 13.5		

Note1. The standard definitions is in JIS C 6703

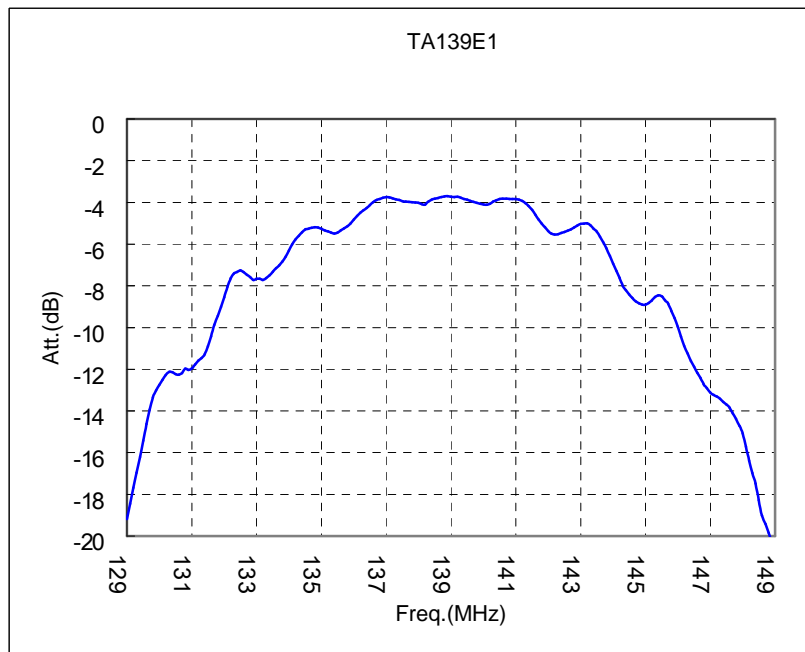
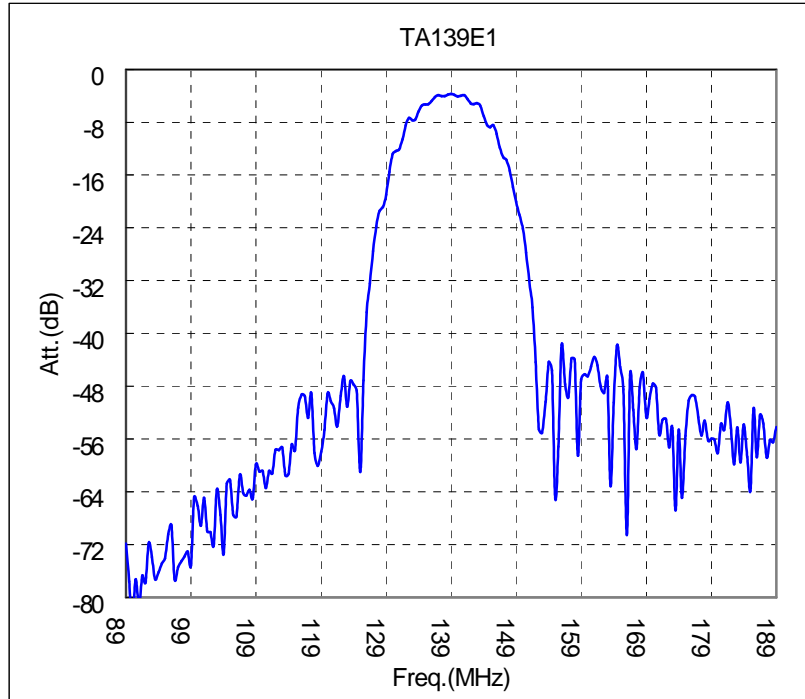
Note2.



**SAW Filter 139MHz**  
**Part No: MA05174**

**Model: TA139E1**  
**REV. NO: 2**

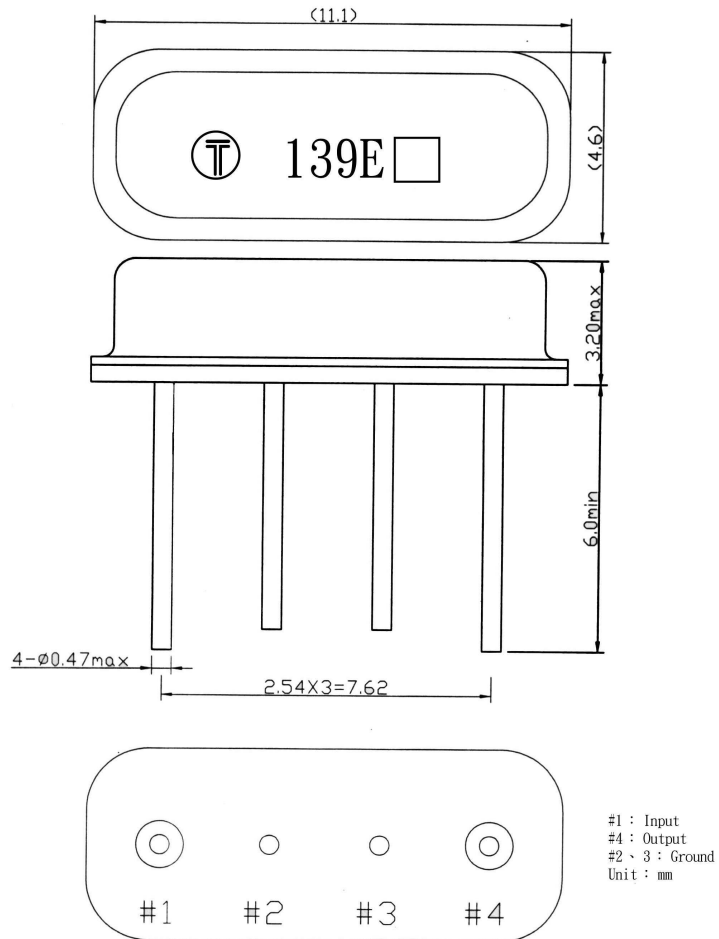
**C. FREQUENCY CHARACTERISTICS:**



**SAW Filter 139MHz**  
**Part No: MA05174**

**Model: TA139E1**  
**REV. NO: 2**

**D. OUTLINE DRAWING:**



**SAW Filter 139MHz**  
**Part No: MA05174**

**Model: TA139E1**  
**REV. NO: 2**

**E. TEST CIRCUIT:**

