

SAW Filter 38.912MHz
Part No: MA05091

Model: TB0209A
Rev No: 2

A. MAXIMUM RATING:

1. Input Power Level: 10dBm
2. Operating Temperature: -40°C to +85°C
3. Storage Temperature: -40°C to +85°C

B. ELECTRICAL CHARACTERISTICS:

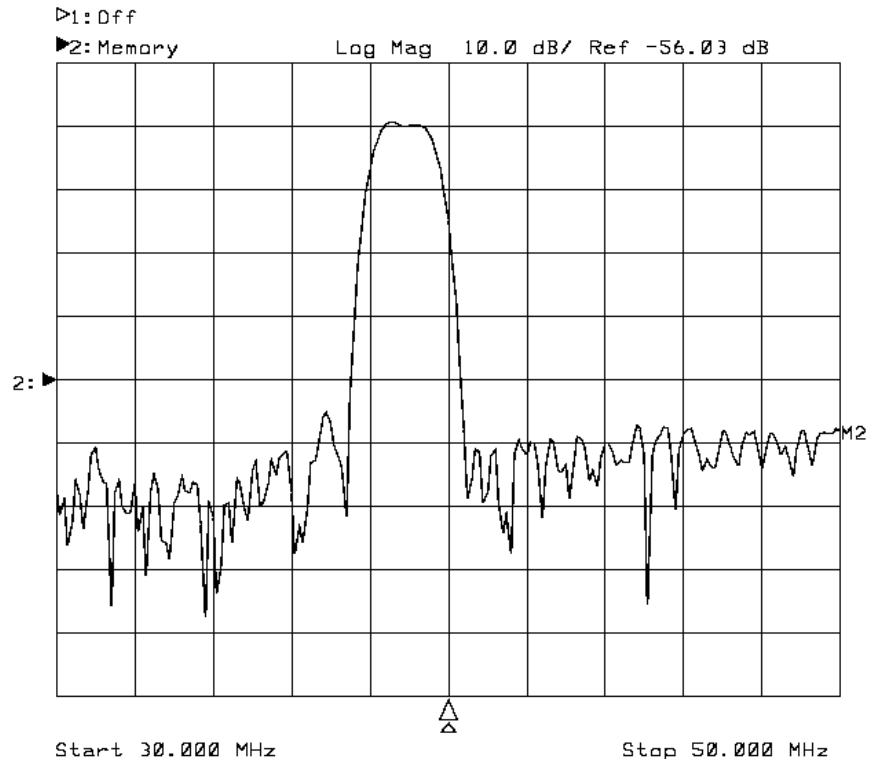
	Min.	Typ.	Max.	
Center frequency	38.874	38.912	38.950	MHz
Insertion attenuation 38.912MHz	17.2	18.7	20.2	dB
3.0dB bandwidth	-	1.5	-	MHz
30dB bandwidth	-	2.6	-	MHz
Relative attenuation				
36.26 - 37.30MHz	38.0	49.0	-	dB
40.60 - 41.40MHz	38.0	44.0	-	dB
Lower sidelobe 30.00 - 36.26MHz	43.0	50.0	-	dB
Upper sidelobe 41.40 - 50.00MHz	41.0	46.0	-	dB
Reflected wave signal suppression 1.6us 6.0us after main pulse	42.0	52.0	-	dB
Group delay ripple 38.11 - 39.71MHz	-	35	-	ns
Impedance at 38.922MHz				
Input: $Z_{IN} = R_{IN} // C_{IN}$	-	1.0 // 25.3	-	kΩ // pF
Output: $Z_{OUT} = R_{OUT} // C_{OUT}$	-	0.9 // 15.0	-	kΩ // pF
Temperature coefficient of frequency TCf	-	-18	-	ppm/K

SAW Filter 38.912MHz
Part No: MA05091

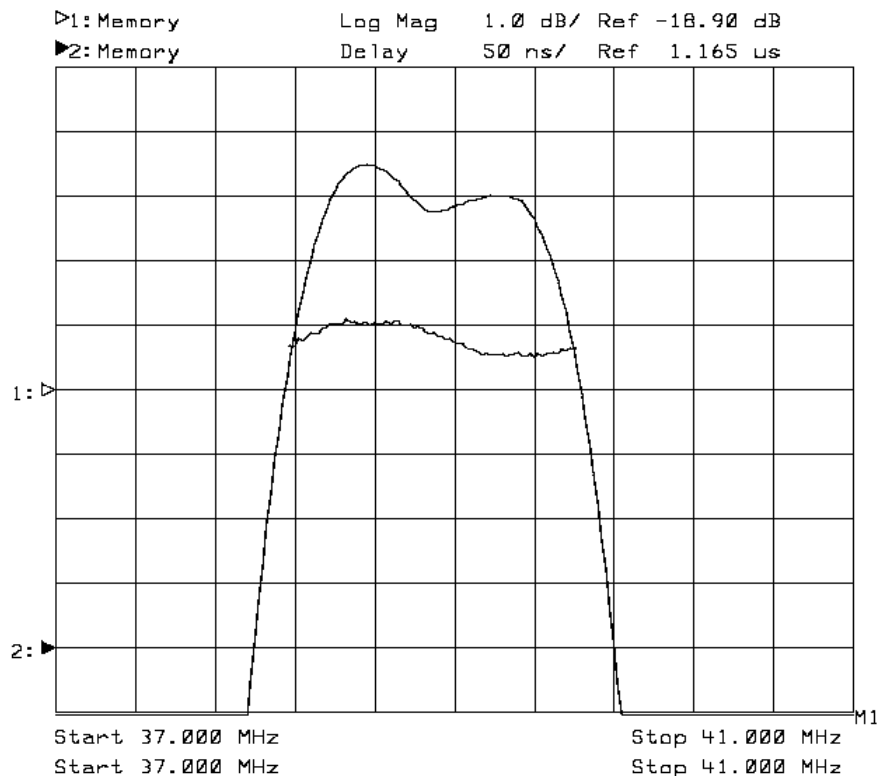
Model: TB0209A
Rev No: 2

C. FREQUENCY CHARACTERISTICS:

1. Wide Band



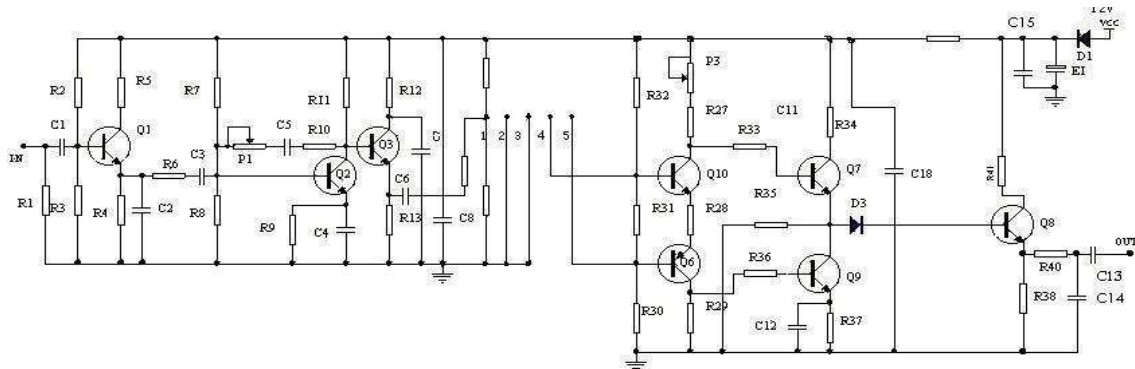
2. In band:



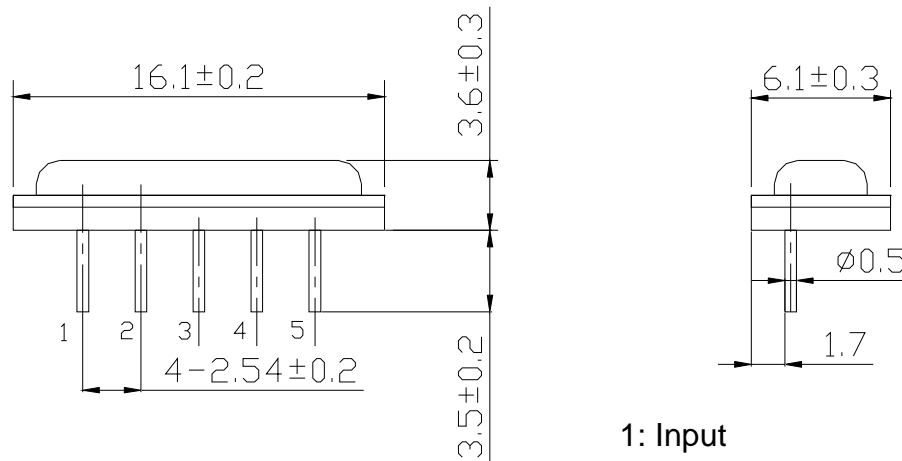
SAW Filter 38.912MHz
Part No: MA05091

Model: TB0209A
Rev No: 2

D. MEASUREMENT CIRCUIT:



E. OUTLINE DRAWING:



- 1: Input
- 2: Input - ground
- 3: Chip carrier - ground
- 4: Output
- 5: Output