

**163MHz SAW Filter**

**Model: TA163E1**

**Part No: MA04395**

**REV NO.: 2**

**A. MAXIMUM RATING:**

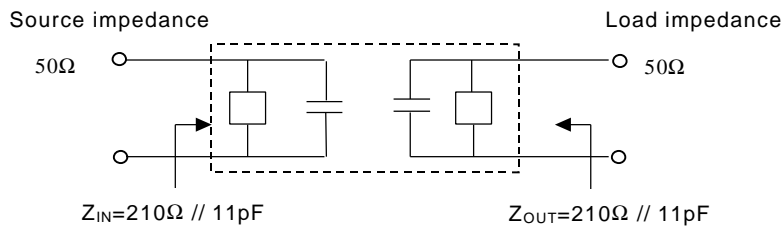
1. Input Power Level: 0 dB
2. DC voltage: 10 V.
3. Storage Temperature: -40°C to +85 °C.
4. Operating Temperature: -10 °C to +50 °C

**B. ELECTRICAL CHARACTERISTICS:**

Characteristic	Units	Minimum	Typical	Maximum
Center frequency, <b>F<sub>o</sub></b>	MHz	-	163	-
Insertion Loss, <b>IL (F<sub>C</sub>± 4 MHz)</b>	dB	-	-	6.5
Attenuation (Reference level from 0 dB)	dB			
<b>F<sub>C</sub> - 100MHz to -38.8MHz</b>	dB	50	-	-
<b>F<sub>C</sub> +38.8MHz to + 100MHz</b>	dB	42	-	-
Input/Output Impedance at <b>F<sub>C</sub></b>	$\Omega$    $\mu$ F	Z <sub>in</sub> : 210 // 11 ; Z <sub>out</sub> = 210 // 11		

Note1. The standard definitions is in JIS C 6703

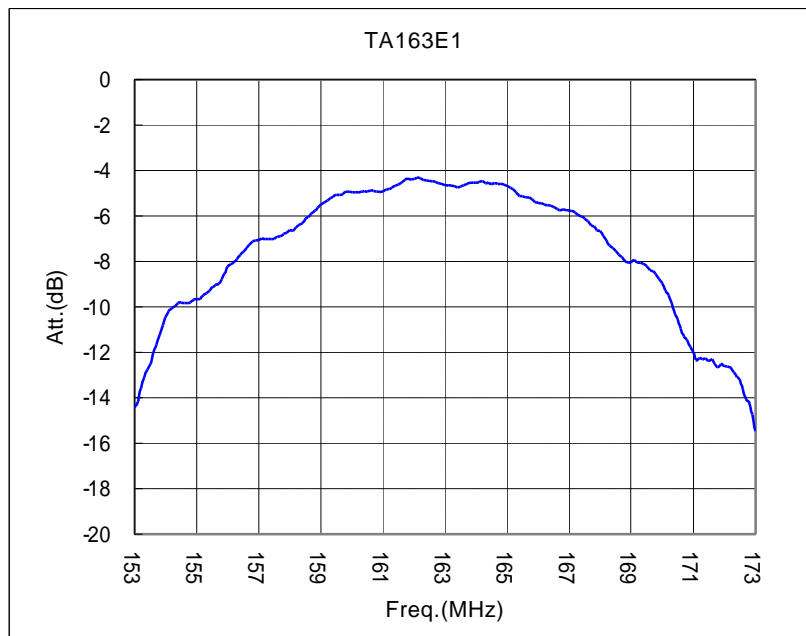
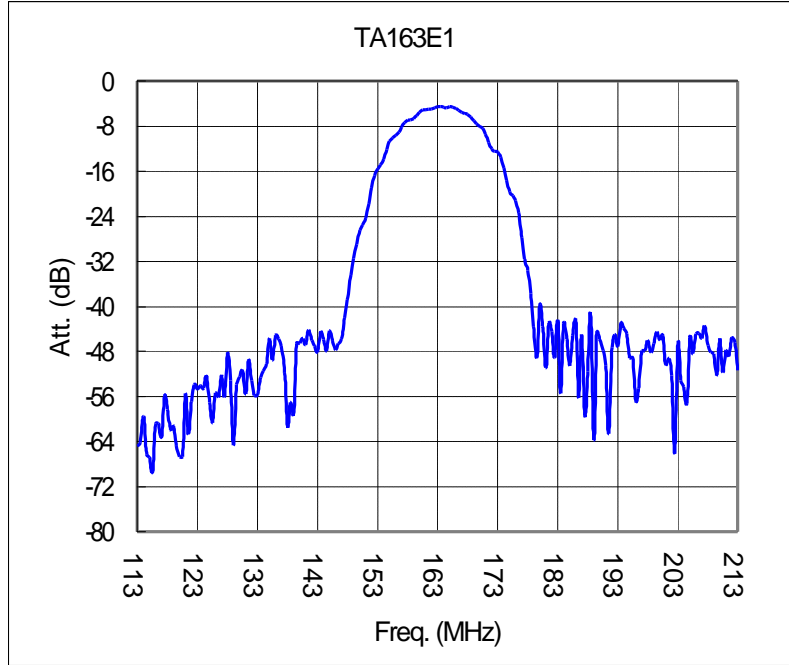
Note2.



**163MHz SAW Filter**  
**Part No: MA04395**

**Model: TA163E1**  
**REV NO.: 2**

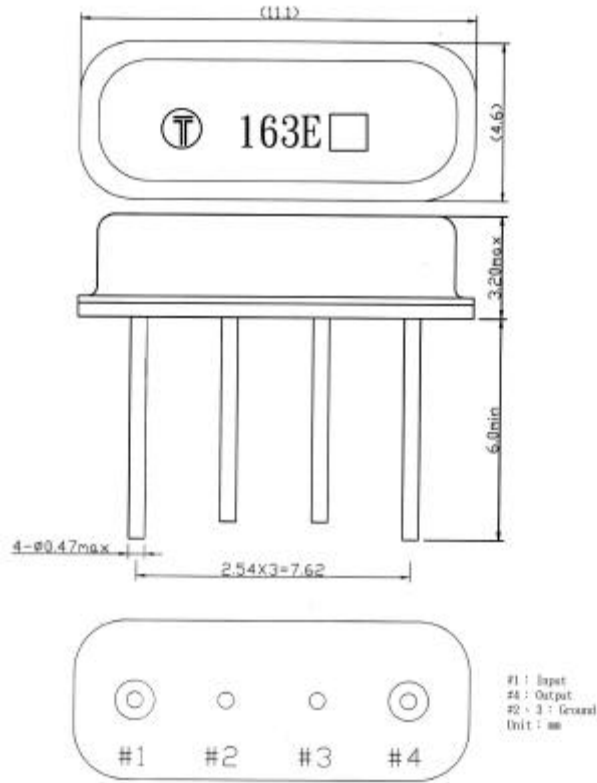
**C.FREQUENCY CHARACTERISTICS:**



**163MHz SAW Filter**  
**Part No: MA04395**

**Model: TA163E1**  
**REV NO.: 2**

D. OUTLINE DRAWING:



E. TEST CIRCUIT

