

433.920MHz SAW Resonator

Model: TC0157A

Part No: MA04248

REV NO.: 1

A. FEATURES:

- 1-Port Resonator.

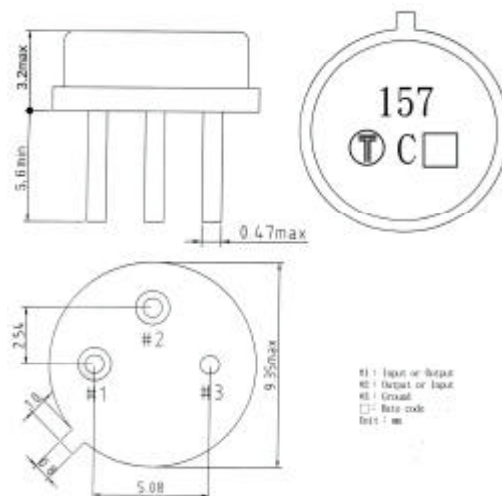
B. MAXIMUM RATING:

1. Power Dissipation: 0 dBm.
2. DC voltage: 12 V.
3. Storage Temperature: -40°C to 85°C.
4. Operating Temperature:-40°C to 85°C

C. ELECTRICAL CHARACTERISTICS:

Characteristic	Units	Minimum	Typical	Maximum
Center frequency Fr	MHz	433.845	433.92	433.995
Insertion Loss IL	dB	-	1.2	2.0
Unloaded Quality factor		-	14500	-
Ageing of Fc	ppm	-	-	10/year
Equivalent Elements				
Motional capacitance C1	fF	-	3	-
Motional inductance L1	μH	-	44	-
Motional resistance R1	Ohm	-	15	25
Parallel capacitance Co	pF	-	3.2	-
Temp.coeff.	ppm/c*2	-	0.032	-
Turnover To	deg.C	20	-	50
Package size			TO-39	

D. OUTLINE DRAWING:



433.920MHz SAW Resonator

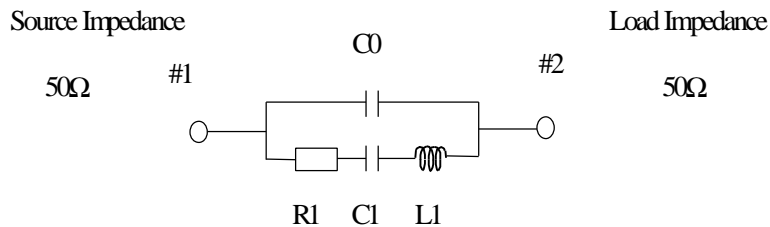
Model: TC0157A

Part No: MA04248

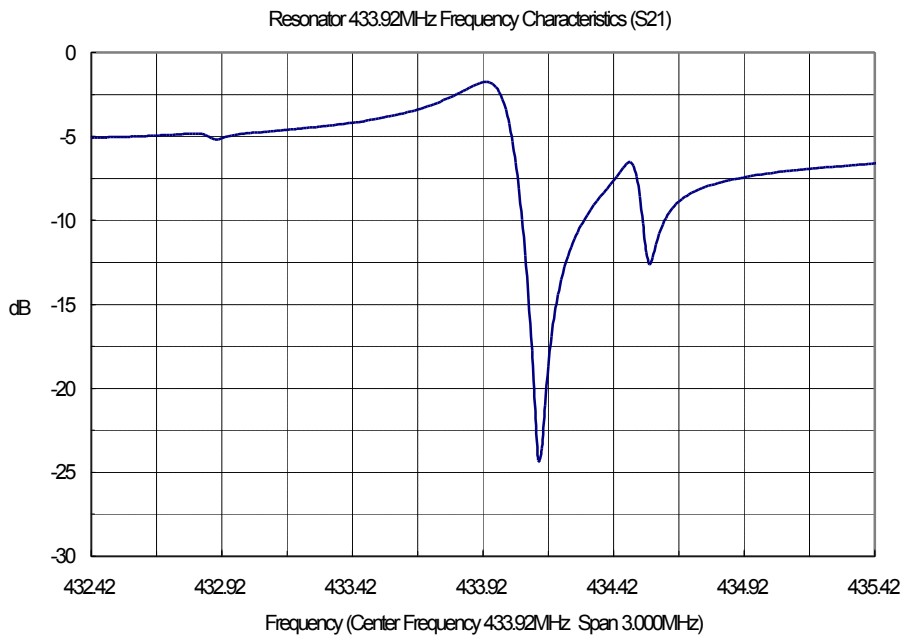
REV NO.: 1

E. EQUIVALENT CIRCUIT:

One-Port Resonator:



F. FREQUENCY CHARACTERISTICS:



G. TEST CIRCUIT:

