

Features

- ▄▄▄▄ 4-poles in one package
- ▄▄▄▄ Frequencies 21.4MHz ~ 90.0MHz available
- ▄▄▄▄ Custom specifications available
- ▄▄▄▄ Miniature SM package

Ordering Information

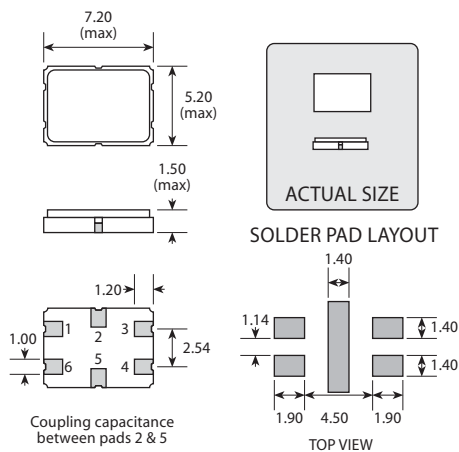
Product name + model number

eg: **GSF-75 45R15B1**

GSF-75 45R30B

Option code X (eg GSF-75/X) denotes a custom spec.

- ◆ Available on T&R - 1k pcs per reel.
- ◆ Refer to our website for T&R and soldering details.



PAD	CONNECTION
1	Ground
2	Connect with pad 5
3	In / Out
4	Ground
5	Connect with pad 2
6	Out / In

Scale 2:1

Standard Specifications

Model Number	Centre Frequency (MHz)	Number of Poles	Pass Band (dB @ kHz)	Attenuation Band (dB @ kHz)	In-Band Ripple (dB)	Insertion Loss (dB)	Guaranteed Attenuation (dB @ kHz)	Termination (Ω // pF)	Operating Temperature Range (C)	No of Units
45R7B1	45.000	4	3 \pm 3.75	30 \pm 12.5	1.0	4.0	80 -910 \pm 10	550 // 2.0 ($C_c=13$ pF)	-20 to +70	1
45R12B	45.000	4	3 \pm 6.0	30 \pm 20.0	1.0	3.0	80 -910 \pm 10	950 // 1.2 ($C_c=8.0$ pF)	-20 to +70	1
45R15B1	45.000	4	3 \pm 7.5	25 \pm 22.0	1.0	3.0	80 -910 \pm 10	900 // 2.0 ($C_c=7.0$ pF)	-30 to +70	1
45R20B	45.000	4	3 \pm 10.0	40 \pm 48.0	1.0	3.0	80 -910 \pm 10	1000 // 1.6 ($C_c=5.0$ pF)	-20 to +70	1
45R30B	45.000	4	3 \pm 15.0	35 \pm 50.0	1.0	4.0	80 -910 \pm 10	1500 // 0.7 ($C_c=3.0$ pF)	-20 to +70	1
90R20B	90.000	4	3 \pm 20.0	19 \pm 25.0 34 \pm 50.0	1.0	6.0	40 +500 ~ +1000 70 -300 ~ -1000	600 // 1.5 ($C_c=5.5$ pF)	-20 to +55	1