

## PRODUCT CHANGE NOTICE

Document ref:	PCN020628B v1.0
Issued:	28 Jun 02
Authorised:	JPG

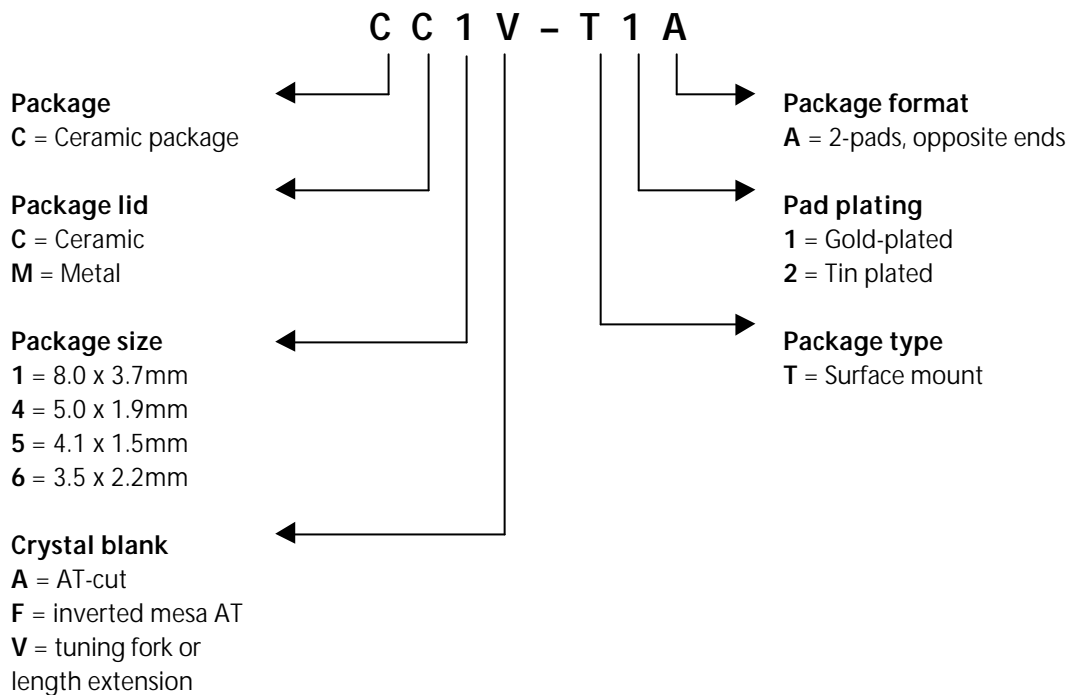
### Products affected

CC1F, CC1V, CC4V, CC5V, CCAT

### Description

In order to standardise our coding convention for the CC ranges of SM crystals, the above products have been re-coded. There has been no change to the electrical or mechanical specifications of the products.

### Explanatory example:



### Coding changes

Old code	New code
CC1F-T1	CC1F-T1A
CC1F-T2	CC1F-T2A
CC1V-T1	CC1V-T1A
CC1V-T2	CC1V-T2A
CC4V-T1	CC4V-T1A
CC4V-T2	CC4V-T2A

Old code	New code
CC5V-T1	CC5V-T1A
CC5V-T2	CC5V-T2A
CCAT-T1	CC1A-T1A
CCAT-T2	CC1A-T2A