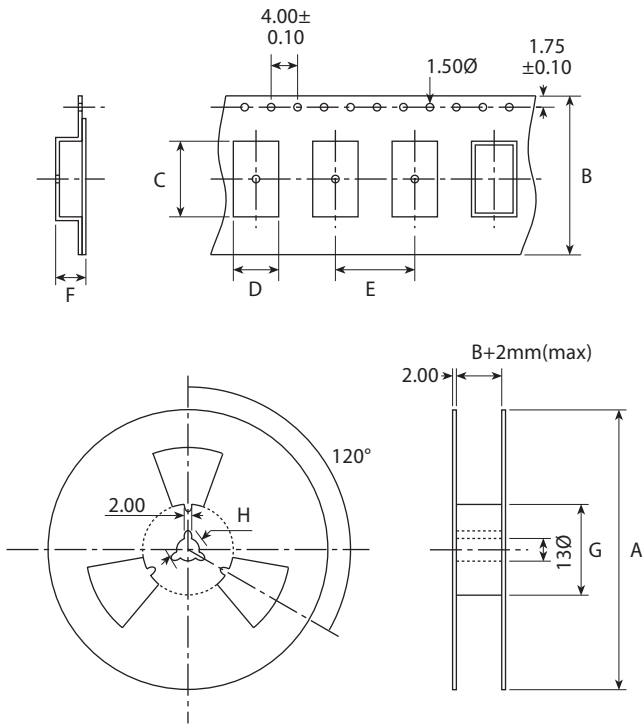


Tape & Reel Specifications



Meets EIAJ-481A and EIAJ-1009B

T & R Dimensions - Crystals

Product	A	B	C	D	E	F	G	H
86SMX	300	24	13.4	5.3	8.0	5.5	80	23
CC1 / CCAT	178*	16	8.5	4.4	8.0	2.0	80	21
CC4	178*	16	5.2	2.1	4.0	1.3	80	21
CC5	178*	12	4.4	1.8	4.0	1.1	80	21
CC6	178*	12	4.0	2.6	4.0	1.1	80	21
CC7	178*	12	3.5	1.8	4.0	1.1	80	21
CCAT	178*	16	8.5	4.4	8.0	2.0	80	21
GSX-1	250	16	7.9	5.4	8.0	2.2	80	25
GSX-11	250	24	12.2	5.9	12.0	2.5	80	21
GSX-13	180	8	3.6	2.9	4.0	1.3	60	21
GSX-2	250	16	7.9	5.4	8.0	1.7	80	25
GSX-200	330	16	8.3	4.0	8.0	2.8	100	21
GSX-218	330	16	8.3	4.0	8.0	2.2	100	21
GSX-309	330	24	12.8	4.0	12.0	4.0	100	21
GSX-331	178	8	3.5	2.8	4.0	1.0	60	21
GSX-333	330	12	3.8	2.8	4.0	1.1	100	21
GSX-431	178	12	4.4	2.9	4.0	1.1	80	21
GSX-433	330	12	4.5	3.0	8.0	1.2	100	21
GSX-531	178	12	5.5	3.7	8.0	1.4	80	21
GSX-532	178	12	5.5	3.7	8.0	1.7	80	21
GSX-533	330	12	5.5	3.7	8.0	1.2	100	21
GSX-6	178*	12	6.4	3.9	8.0	1.9	80	23
GSX-641	178	12	6.4	3.9	8.0	1.4	80	21
GSX-642	250	12	6.5	4.1	8.0	1.9	80	21
GSX-7	178*	12	6.4	3.9	8.0	1.9	80	21
GSX-751	300*	16	7.7	5.4	8.0	1.9	100	21
GSX-752	200	16	7.4	5.4	8.0	1.9	80	21
GSX-8	250	12	5.4	3.6	8.0	1.4	80	21
GSX-852	200	16	8.5	4.9	8.0	2.3	80	21
GSX49-4	330	24	13.9	5.6	12.0	4.8	100	21
HC49J	330	24	18.5	11.4	16.0	5.7	100	21
MS1	254	16	9.0	3.1	4.0	2.0	80	25
MS2	254	16	7.4	1.8	4.0	1.5	80	25
UM-1J	330	24	14.1	8.4	12.0	4.6	80	21
UM-5J	180	24	12.5	8.4	12.0	4.4	60	21

* Larger reel size available. Please ask for details

T & R Dimensions - TCXOs

Product	A	B	C	D	E	F	G	H
GTXO-551/3	330	24	12.0	11.9	16.0	4.2	100	21
GTXO-556/8	330	24	12.0	11.9	16.0	4.2	100	21
GTXO-560	330	24	14.0	11.0	12.0	2.7	80	21
GTXO-566	330	24	14.0	11.0	12.0	2.7	80	21
GTXO-570	330	24	14.0	11.0	12.0	2.7	80	21
GTXO-71	200	16	7.7	5.8	8.0	2.4	80	21
GTXO-81	250	12	5.5	3.7	8.0	1.7	80	21

T & R Dimensions - VCXOs

Product	A	B	C	D	E	F	G	H
GV93	330	24	14.6	12.0	16.0	4.2	80	25
GVXO-27	330	24	14.4	10.0	12.0	4.0	80	21
GVXO-32	330	24	14.4	10.8	16.0	6.0	80	21
GVXO-34	330	24	14.4	10.8	16.0	6.0	80	21
GVXO-36	330	32	21.1	14.6	24.0	5.2	100	21
GVXO-37	330	32	21.1	14.6	20.0	5.2	100	21
GVXO-38	330	32	20.8	14.2	20.0	7.2	100	21
GVXO-513/5	255	12	5.5	3.7	8.0	1.7	80	21
GVXO-523/5	178	12	5.3	3.5	8.0	1.5	62	21
GVXO-53	250	16	7.9	5.4	8.0	2.5	80	25
GVXO-54	255	16	7.9	5.4	8.0	2.5	80	25
GVXO-55	250	16	7.9	5.4	8.0	2.5	80	25
GVXO-753/5	200	16	7.7	5.8	8.0	2.5	80	21

T & R Dimensions - Oscillators

Product	A	B	C	D	E	F	G	H
GXO-5331/51	178	12	5.3	3.5	8.0	1.5	62	21
GXO-615	330	24	13.9	10.8	12.0	5.2	80	21
GXO-6431/51	300*	12	6.5	4.1	8.0	2.0	100	21
GXO-7531/51	300*	16	7.4	5.4	8.0	1.9	100	21
GXO-E71	255	16	7.9	5.4	8.0	2.5	80	21
GXO-E93	330	24	14.4	10.0	12.0	4.0	80	21
GXO-U108	255	16	7.9	5.4	8.0	2.5	80	25
GXO-U109	255	16	7.9	5.4	8.0	2.5	80	25
GXO-U110	250	24	11.6	6.9	12.0	3.4	80	21
GXO-U113	255	12	6.4	3.9	8.0	1.9	80	25
GXO-U114	255	12	6.4	3.9	8.0	1.9	80	25
GXO-U115	250	12	5.5	3.7	8.0	1.7	80	25
GXO-U129	255	16	7.9	5.4	8.0	2.5	80	21
MCSO	330	24	16.5	14.8	12.0	3.5	80	21
OC1T	178*	16	8.5	4.4	8.0	2.0	80	21

* Larger reel size available. Please ask for details