

## Product Description

Description:	1.84320MHz GXO-3301L/BI SM Oscillator
Product family:	GXO-3301
Category:	SM Oscillator
Order code:	MP10304

## Features

- ▶ Low current consumption
- ▶ Enable / disable tristate function
- ▶ Miniature ceramic package with metal lid
- ▶ Competitive pricing

## Additional Information

For further information regarding packaging, construction, material composition, soldering profile and environment, please refer to **GXO-3301 Product Information sheet**

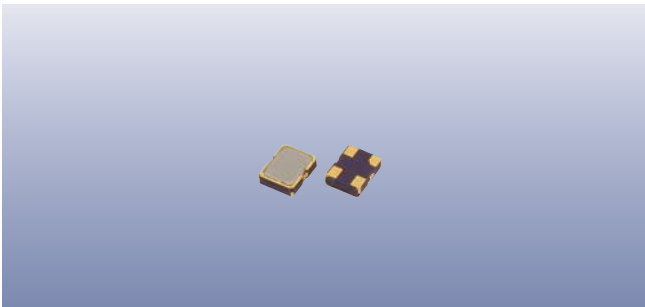
For dimensions, refer to package drawing: **D0267-A**

## Electrical Specifications

Parameter	Value	Notes
Nominal frequency:	1.84320MHz	
Frequency stability:	±50ppm	Inclusive of calibration @25°C, operating temp range, supply, voltage change, load change, shock & vibration.
Operating temperature range:	-40 to +85°C	
Storage temperature range:	-55 to +100°C	
Supply voltage (V <sub>DD</sub> ):	+2.5V ~ +3.3V	±5%
Supply current:	6mA max	
Driving ability:	15pF CMOS	
Logic levels:	'0' level = 10%V <sub>DD</sub> max '1' level = 90%V <sub>DD</sub> min	
Start up time:	10ms max	
Waveform symmetry:	45:55%	@50% V <sub>DD</sub>
Rise / fall time:	10ns max	
Enable / disable times:	10ms/200ns	
Period jitter RMS:	5ps max	
Phase jitter RMS:	1ps max	12kHz~20MHz
Ageing:	±5ppm max	Per year

## Enable / Disable Function

Input (pad 1)	Output (pad 3)
Open	Enabled
'1' level	Enabled
'0' level	High Impedance



## Construction

- ▮ Ceramic body with gold-plated pads
- ▮ Metal lid, seam sealed

## Composition



This product is lead-free, and is fully compliant with the RoHS 2 directive 2011/65/EU



## Packaging & Handling

Production quantities supplied on T&R, 1k or 3k pcs per reel. Small quantities may be supplied on tape (no reel), or in bulk.



♦ Static sensitive product. Observe proper handling precautions

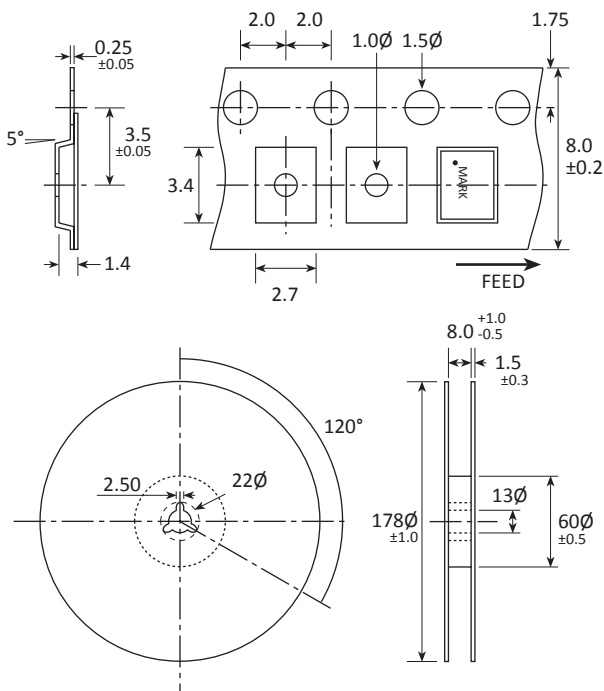
## Marking

FREQUENCY  
DC

Marking type: Laser  
DC = Date code in YM, eg "CE" = May 2013

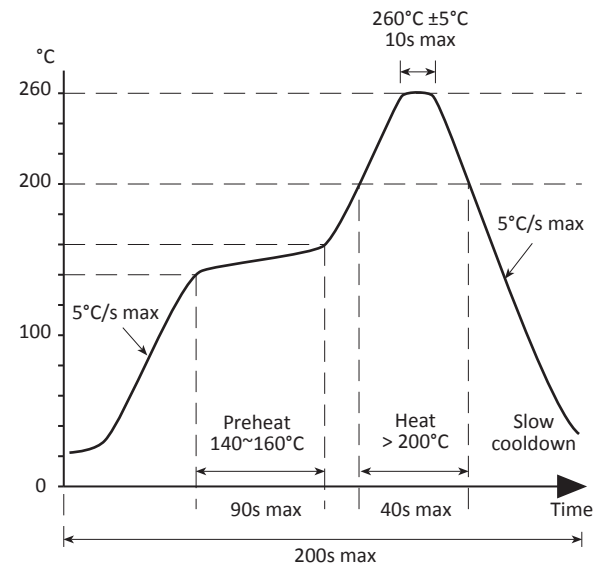
	A	B	C	D	E	F	G	H	J	K	L	M
Y	1	2	3	4	5	6	7	8	9	0		
M	Jan	Feb	Mar	Apr	May	Jun	Jul	Aug	Sep	Oct	Nov	Dec

## Tape & Reel Specification

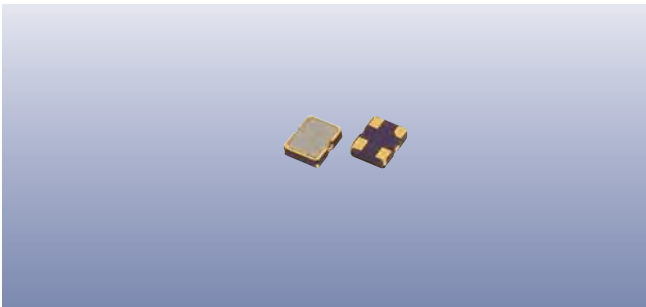


Not to scale. Dimensions in mm. Tolerances ±0.1mm unless otherwise stated.

## Soldering Profile



Solder resistance: 260°C x 10 secs x 2.



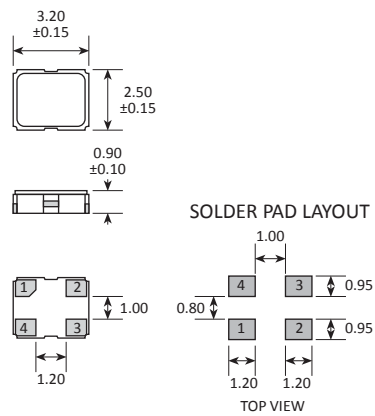
## Product Family

GAO-3301, GFO-3301, GXO-3301

## Construction

- ▮▮▮▮▮ Ceramic body with gold-plated pads
- ▮▮▮▮▮ Metal lid, seam sealed

## Dimensions (mm)



PAD	CONNECTION
1	Enable/Disable
2	Ground
3	Output
4	Supply