

**SAW Filter 380.0MHz**  
**Part No: MP06333**

**Model: TB0166A**  
**Rev No: 1**

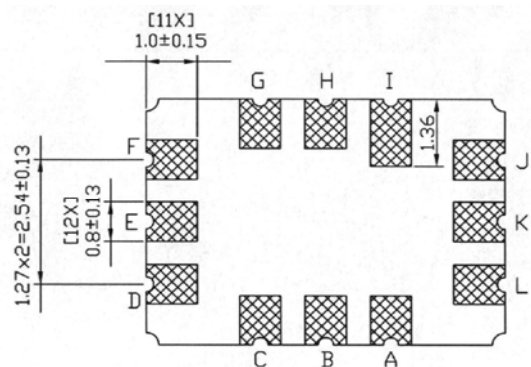
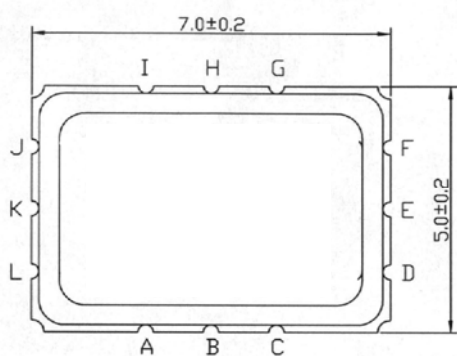
**A. MAXIMUM RATING:**

1. Input Power Level: 10dBm
2. DC voltage: 0V
3. Operating Temperature: 0°C to 50°C
4. Storage Temperature: -40°C to +85°C

**B. ELECTRICAL CHARACTERISTICS:**

Characteristics	Min.	Typ.	Max.	Note
Center frequency Fc MHz	-	380	-	-
Minimum Insertion loss IL dB	-	9.5	11	-
3dB Bandwidth BW3 MHz	13	15		
Attenuation: (Reference level from Minimum IL)				
280~ 367MHz dB	40	57	-	-
396 ~ 480MHz dB	40	60	-	-

**C. OUTLINE DRAWING:**



Pin C: Input  
 Pin I: Output  
 Pin D: Input Ground  
 Pin J: Output Ground  
 Pin A, B, E, F, G, H, K, L: To be Ground

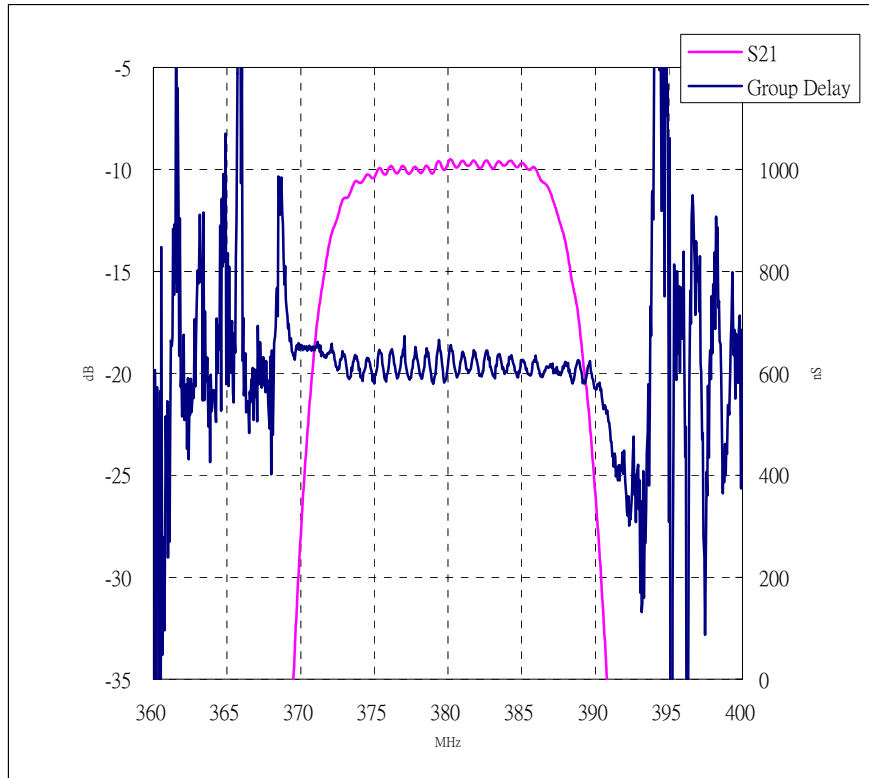
Unit: mm

**SAW Filter 380.0MHz**  
**Part No: MP06333**

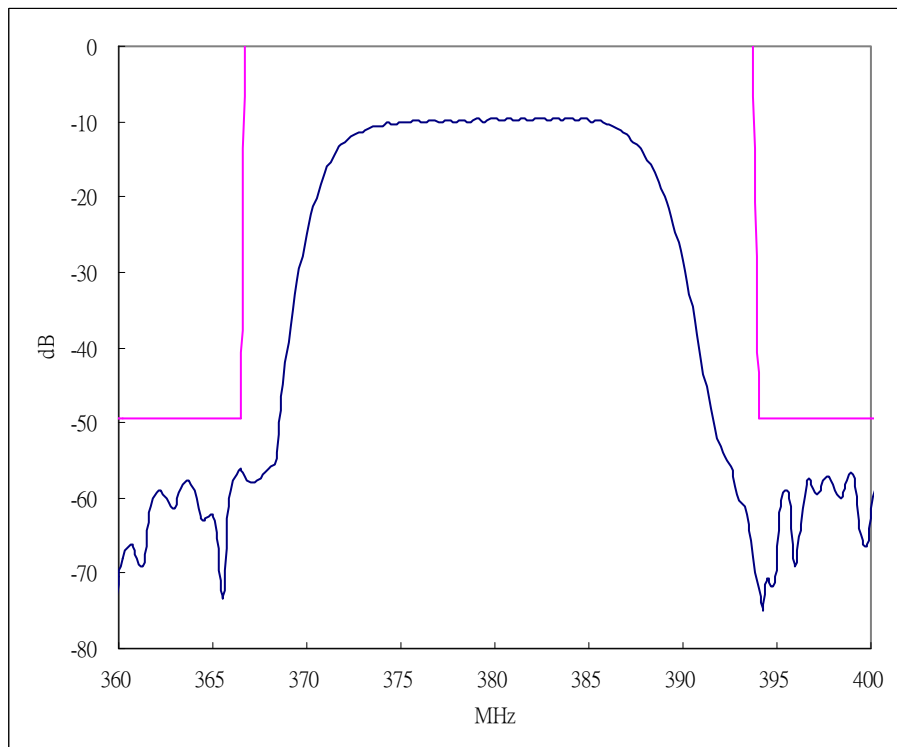
**Model: TB0166A**  
**Rev No: 1**

**D. FREQUENCY CHARACTERISTICS:**

1. Group Delay and Ripple



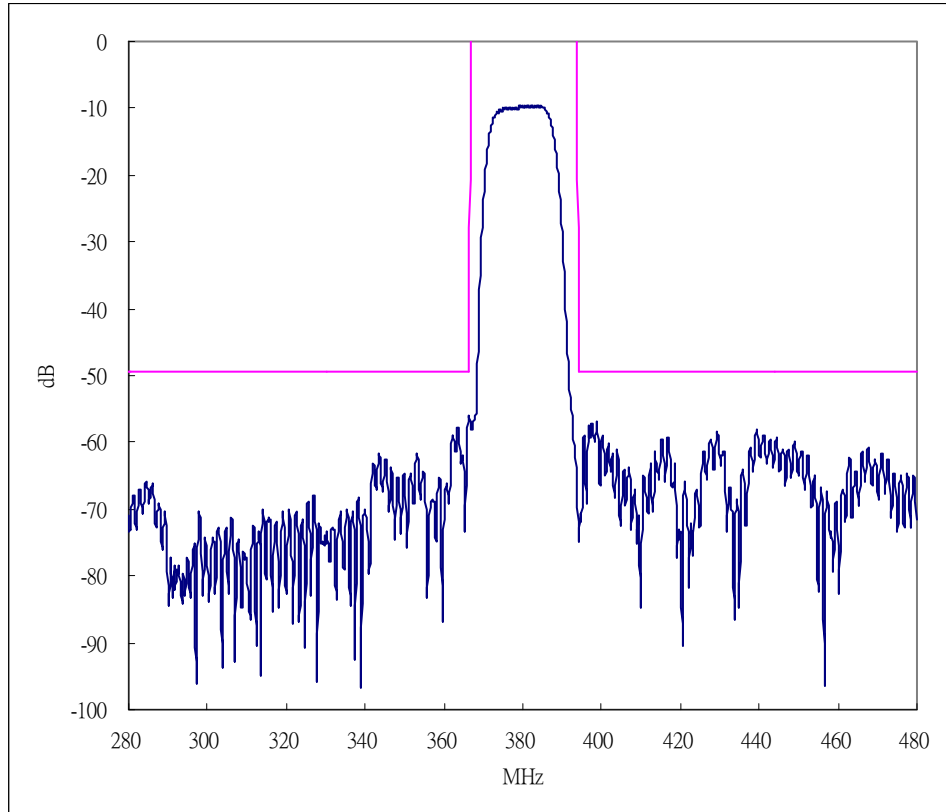
2. S21 Response



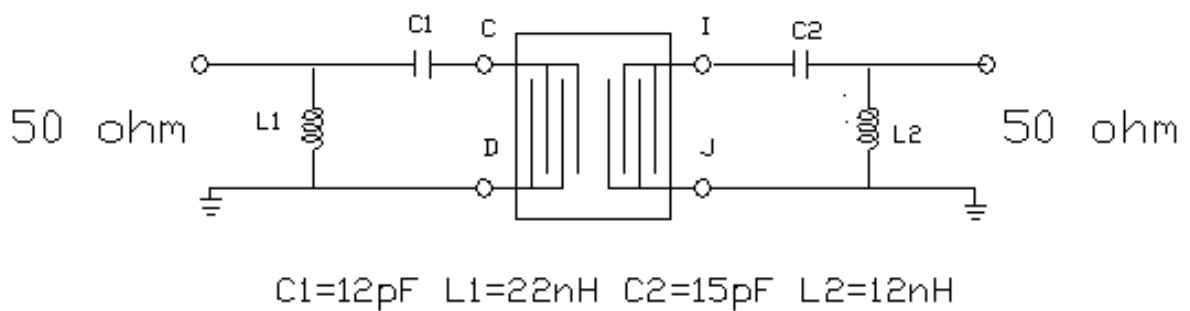
**SAW Filter 380.0MHz**  
**Part No: MP06333**

**Model: TB0166A**  
**Rev No: 1**

3. S21 Response (wide band)



**E. MEASUREMENT CIRCUIT:**

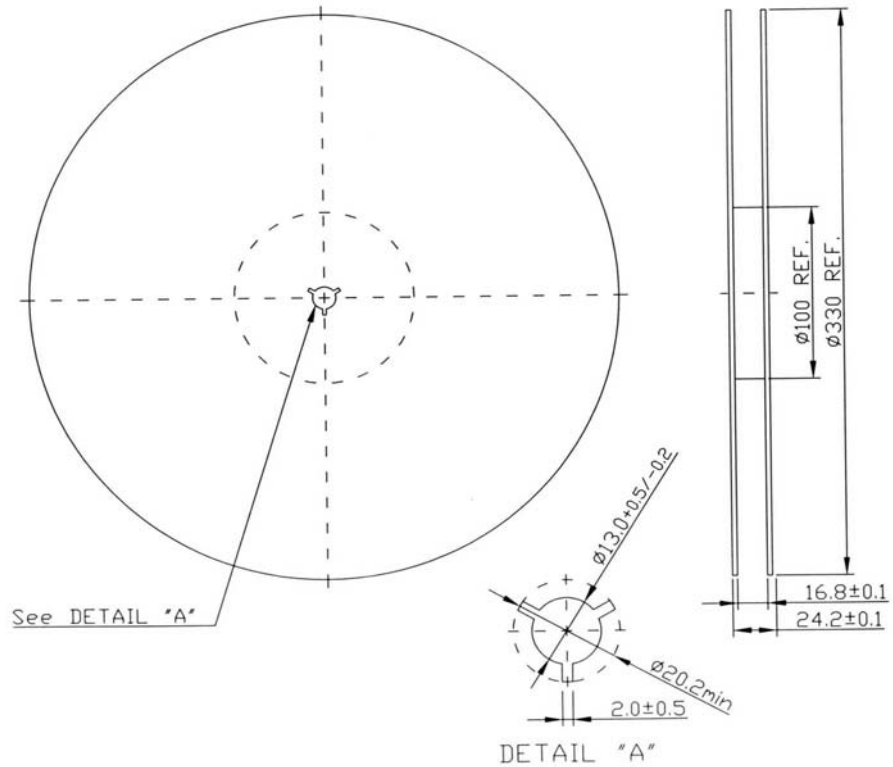


**SAW Filter 380.0MHz**  
**Part No: MP06333**

**Model: TB0166A**  
**Rev No: 1**

**F. PACKING:**

1. Reel Dimension



2. Tape Dimension

