

Application Manual

RV-8063-C7

Ultra Small Real-Time Clock Module with SPI-Bus Interface

TABLE OF CONTENTS

1. OVERVIEW	4
1.1. GENERAL DESCRIPTION	4
1.2. APPLICATIONS	5
1.3. ORDERING INFORMATION	5
2. BLOCK DIAGRAM	6
2.1. PINOUT	7
2.2. PIN DESCRIPTION	7
2.3. FUNCTIONAL DESCRIPTION	8
2.4. DEVICE PROTECTION DIAGRAM	9
3. REGISTER ORGANIZATION	10
3.1. REGISTER OVERVIEW	10
3.2. CONTROL REGISTERS	11
3.3. TIME AND DATE REGISTERS	14
3.4. ALARM REGISTERS	17
3.5. TIMER REGISTERS	20
3.6. REGISTER RESET VALUES SUMMARY	21
4. DETAILED FUNCTIONAL DESCRIPTION	22
4.1. POWER ON RESET (POR)	22
4.2. SOFTWARE RESET	22
4.3. OSCILLATOR STOP FLAG	23
4.4. SETTING AND READING THE TIME	24
4.5. INTERRUPT OUTPUT	25
4.6. ALARM FUNCTION	26
4.6.1. ALARM INTERRUPT	26
4.7. COUNTDOWN TIMER FUNCTION	27
4.7.1. TIMER FLAG TF	27
4.7.2. TIMER INTERRUPT MODE TI_TP	27
4.7.3. PULSE GENERATOR 2.....	27
4.7.4. USE OF THE COUNTDOWN TIMER	28
4.8. MINUTE AND HALF MINUTE INTERRUPT FUNCTION	30
4.8.1. PULSE GENERATOR 1.....	30
4.9. FREQUENCY OFFSET COMPENSATION	31
4.9.1. OFFSET COMPENSATION CALCULATION WORKFLOW	32
4.10. COMPENSATION INTERRUPT FUNCTION	34
4.10.1. COMPENSATION PULSES WHEN MODE = 0 (NORMAL MODE)	34
4.10.2. COMPENSATION PULSES WHEN MODE = 1 (FAST MODE)	35
4.11. CLKOUT FREQUENCY SELECTION	36
4.12. STOP BIT FUNCTION	37

5.	SPI INTERFACE	39
5.1.	SERIAL BUS READ / WRITE EXAMPLES	40
6.	ELECTRICAL SPECIFICATIONS	41
6.1.	ABSOLUTE MAXIMUM RATINGS	41
6.2.	OPERATING PARAMETERS	42
6.3.	OSCILLATOR PARAMETERS	45
6.3.1.	XTAL FREQUENCY VS. TEMPERATURE CHARACTERISTICS	45
6.4.	SPI-BUS CHARACTERISTICS	46
7.	APPLICATION INFORMATION	47
7.1.	OPERATING RV-8063-C7	47
7.2.	OPERATING RV-8063-C7 WITH BACKUP CAPACITOR	48
8.	PACKAGE	49
8.1.	DIMENSIONS AND SOLDER PAD LAYOUT	49
8.1.1.	RECOMMENDED THERMAL RELIEF	49
8.2.	MARKING AND PIN #1 INDEX	50
9.	MATERIAL COMPOSITION DECLARATION & ENVIRONMENTAL INFORMATION	51
9.1.	HOMOGENOUS MATERIAL COMPOSITION DECLARATION	51
9.2.	MATERIAL ANALYSIS & TEST RESULTS	52
9.3.	RECYCLING MATERIAL INFORMATION	53
9.4.	ENVIRONMENTAL PROPERTIES & ABSOLUTE MAXIMUM RATINGS	54
10.	SOLDERING INFORMATION	55
11.	HANDLING PRECAUTIONS FOR MODULES WITH EMBEDDED CRYSTALS	56
12.	PACKING & SHIPPING INFORMATION	57
13.	COMPLIANCE INFORMATION	58
14.	DOCUMENT REVISION HISTORY	58

RV-8063-C7

Ultra Small Real-Time Clock Module with SPI-Bus Interface

1. OVERVIEW

- RTC module with built-in “Tuning Fork” crystal oscillating at 32.768 kHz
- Counters for seconds, minutes, hours, date, weekday, month and year
- Programmable Offset register for frequency adjustment
- Automatic leap year calculation (2000 to 2099)
- Alarm Interrupts for second, minutes, hour, date and weekday settings
- Countdown Timer Interrupt function
- Minute and Half Minute Interrupt
- Oscillator stop detection function
- Internal Power-On Reset (POR)
- Programmable Clock Output for peripheral devices (32.768 kHz, 16.384 kHz, 8.192 kHz, 4.096 kHz, 2.048 kHz, 1.024 kHz and 1 Hz) with enable/disable function (CLKOE)
- 3 line SPI-bus with a maximum data rate of 7 Mbit/s
- Wide operating voltage range: 0.9 V to 5.5 V
- Wide interface operating voltage: 1.8 to 5.5 V
- Very low current consumption: 190 nA ($V_{DD} = 3.0\text{ V}$, $T_A = 25^\circ\text{C}$)
- Operating temperature range: -40 to $+85^\circ\text{C}$
- Ultra small and compact C7 package size, RoHS-compliant and 100% lead-free: 3.2 x 1.5 x 0.8 mm
- Automotive qualification according to AEC-Q200 available

1.1. GENERAL DESCRIPTION

The RV-8063-C7 is a CMOS real-time clock/calendar module optimized for low power consumption. An Offset register allows to compensating the frequency deviation of the 32.768 kHz clock. All addresses and data are transferred serially via a Serial Peripheral Interface (SPI-bus) with a maximum data rate of 7 Mbit/s. The register address is incremented automatically after each written or read data byte.

This ultra small RTC module has been specially designed for miniature and cost sensitive high volume applications.

1.2. APPLICATIONS

The RV-8063-C7 RTC module combines standard RTC functions in high reliable, ultra-small ceramic package:

- Smallest RTC module (embedded XTAL) in an ultra-small 3.2 x 1.5 x 0.8 mm lead-free ceramic package
- Price competitive

The unique size and the competitive pricing make this product perfectly suitable for many applications:

- Communication: IoT / Wearables / Wireless Sensors and Tags / Handsets
- Automotive: M2M / Navigation & Tracking Systems / Dashboard / Tachometers / Engine Controller
Car Audio & Entertainment Systems
- Metering: E-Meter / Heating Counter / Smart Meters / PV Converter
- Outdoor: ATM & POS systems / Surveillance & Safety systems / Ticketing Systems
- Medical: Glucose Meter / Health Monitoring Systems
- Safety: DSLR / Security & Camera Systems / Door Lock & Access Control
- Consumer: Gambling Machines / TV & Set Top Boxes / White Goods
- Automation: DSC / Data Logger / Home & Factory Automation / Industrial and Consumer Electronics

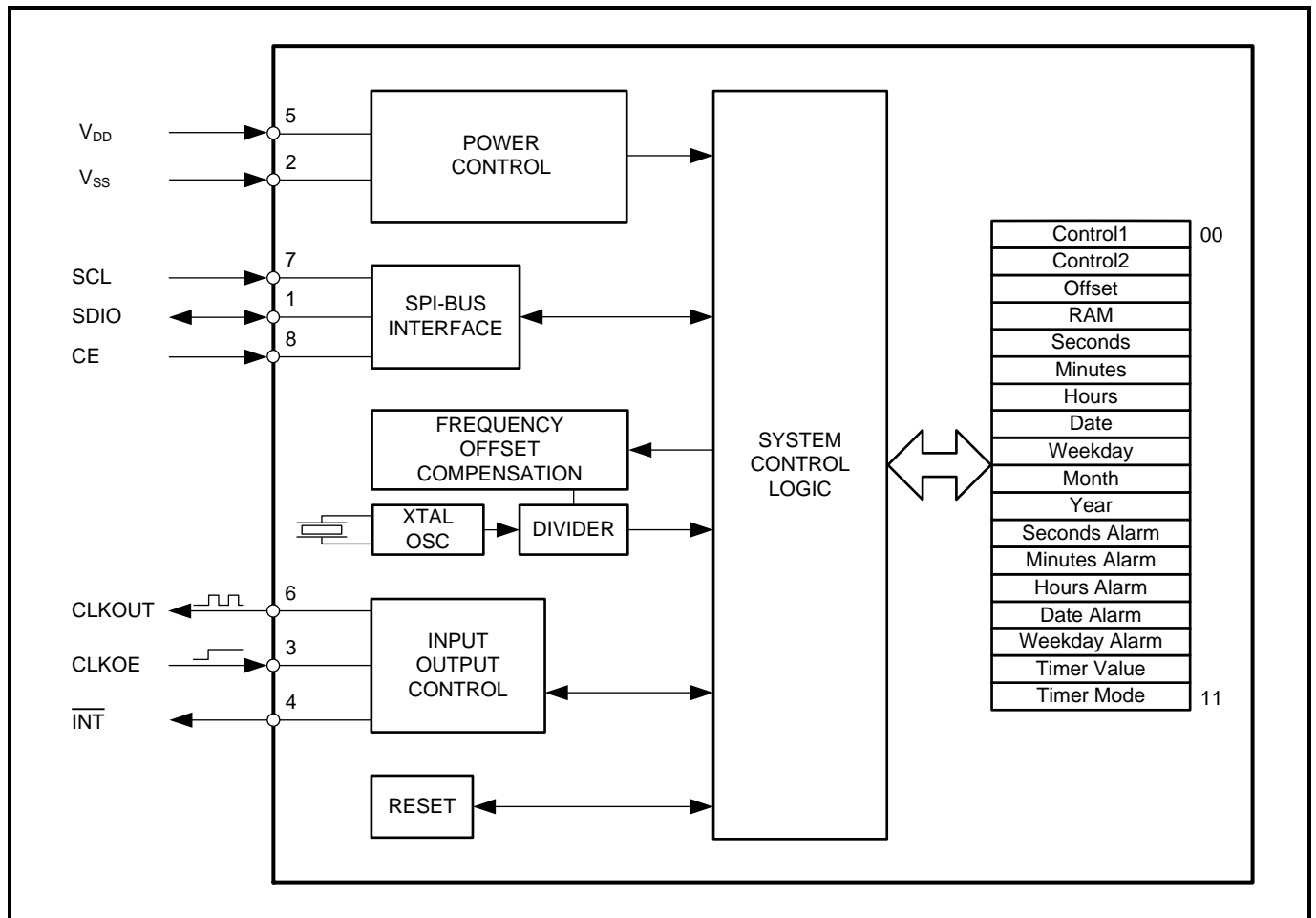
1.3. ORDERING INFORMATION

Example: RV-8063-C7 TA QC

Code	Operating temperature range
TA (Standard)	-40 to +85°C

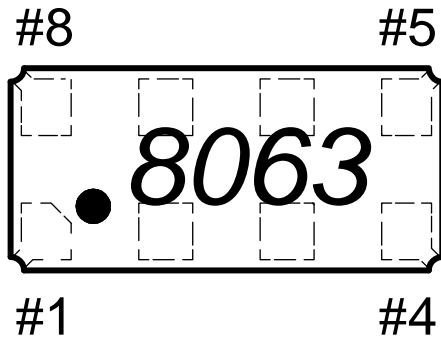
Code	Qualification
QC (Standard)	Commercial Grade
QA	Automotive Grade AEC-Q200

2. BLOCK DIAGRAM



2.1. PINOUT

RV-C7 Package: (top view)



#1	SDIO
#2	V _{SS}
#3	CLKOE
#4	$\overline{\text{INT}}$
#5	V _{DD}
#6	CLKOUT
#7	SCL
#8	CE

2.2. PIN DESCRIPTION

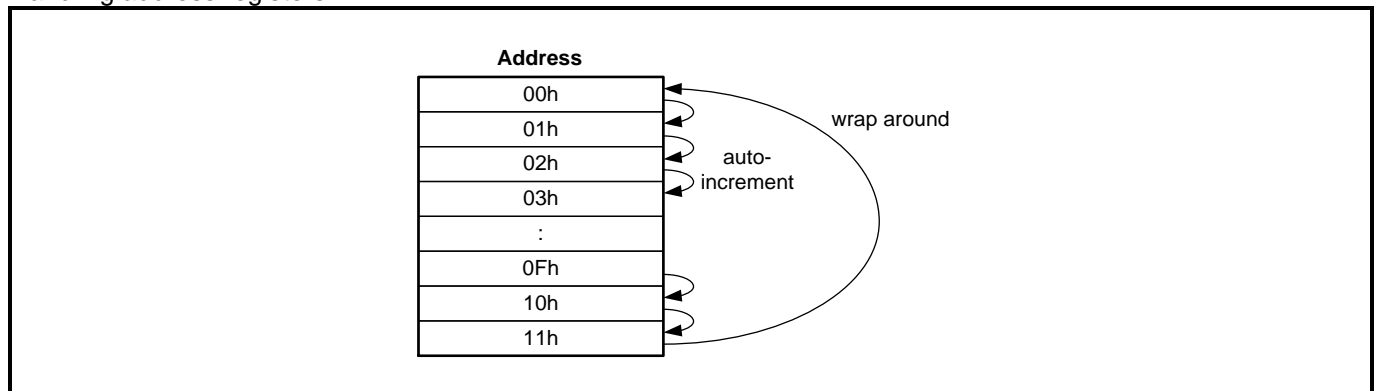
Symbol	Pin #	Description
SDIO	1	Serial Data Input and Output. Input: When CE is LOW, input may float. Output: Push-pull output; drives from V _{SS} to V _{DD} ; is high-impedance when not driving.
V _{SS}	2	Ground.
CLKOE	3	Input to enable the CLKOUT pin. If CLKOE is HIGH, the CLKOUT pin is in output mode. When CLKOE is tied to Ground, the CLKOUT pin is LOW.
$\overline{\text{INT}}$	4	Interrupt Output; open-drain; active LOW; requires pull-up resistor; Used to output alarm, minute, half minute, countdown timer and compensation Interrupt signals.
V _{DD}	5	Power Supply Voltage.
CLKOUT	6	Clock Output; push-pull; controlled by CLKOE. If CLKOE is HIGH (V _{DD}), the CLKOUT pin drives the square wave of 32.768 kHz, 16.384 kHz, 8.192 kHz, 4.096 kHz, 2.048 kHz, 1.024 kHz or 1 Hz (Default value is 32.768 kHz). When CLKOE is tied to Ground, the CLKOUT pin is LOW.
SCL	7	Serial Clock Input. When CE is LOW, this input may float.
CE	8	Chip Enable Input; when LOW, the interface is reset; may not be wired permanently HIGH.

2.3. FUNCTIONAL DESCRIPTION

The RV-8063-C7 is a low power CMOS real-time clock/calendar module with embedded 32.768 kHz Crystal. The CMOS IC contains 18 8-bit registers with an auto-incrementing register address, a frequency divider which provides the source clock for the Real Time Clock (RTC), a programmable clock output, and SPI-bus with a maximum data rate of 7 Mbit/s. An Offset register allows to digitally compensating the frequency deviation of the 32.768 kHz oscillator.

The built-in address register will increment automatically after each read or write of a data byte up to the register 11h. After register 11h, the auto-incrementing will wrap around to address 00h (see following Figure).

Handling address registers:

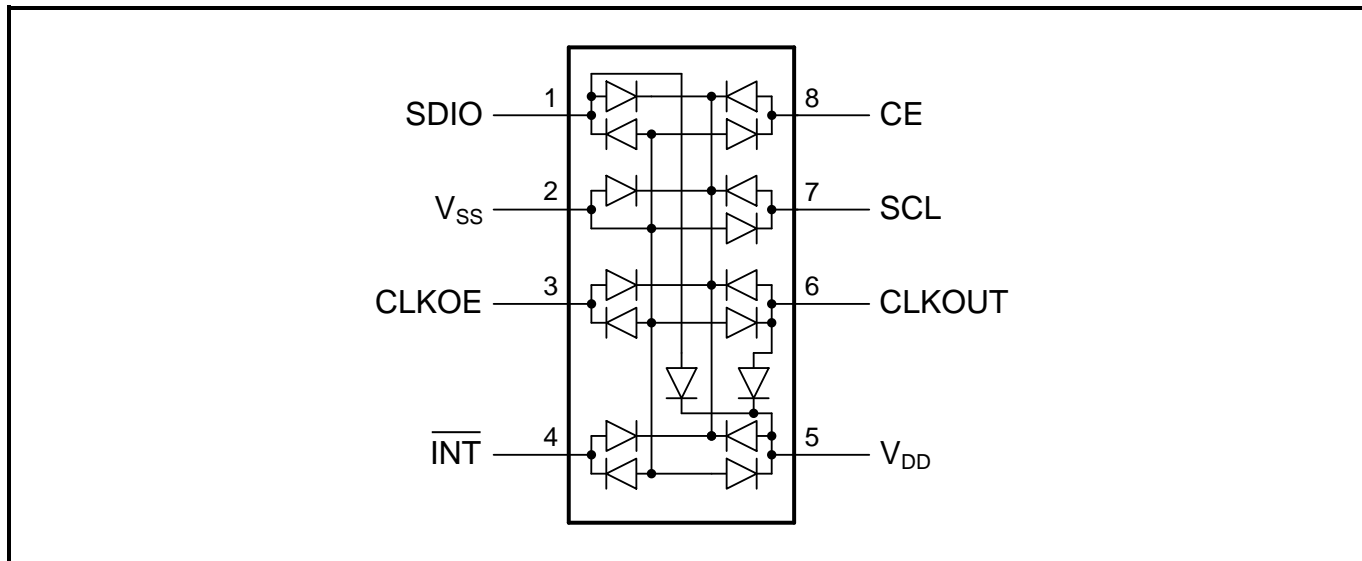


All registers (see REGISTER OVERVIEW) are designed as addressable 8-bit parallel registers although not all bits are implemented.

- The first two registers (memory address 00h and 01h) are used as control and status register.
- The register at address 02h is an Offset register allowing the compensation of time deviation.
- The register at address 03h is a free User RAM byte.
- The addresses 04h through 0Ah are used as counters for the clock function (seconds up to year counters).
- Address locations 0Bh through 0Fh contain alarm registers which define the conditions for an alarm.
- The registers at 10h and 11h are for the timer function.

The Seconds, Minutes, Hours, Date, Month and Year as well as the corresponding alarm registers are all coded in Binary Coded Decimal (BCD) format. When one of the RTC registers is written or read, the contents of all time counters are frozen. Therefore, faulty writing or reading of the clock and calendar during a carry condition is prevented for up to 1 second.

2.4. DEVICE PROTECTION DIAGRAM



3. REGISTER ORGANIZATION

Registers are accessed by selecting a register address and then performing read or write operations. Multiple reads or writes may be executed in a single access, with the address automatically incrementing after each byte. 18 registers (00h – 11h) are available. The time registers are encoded in the Binary Coded Decimal format (BCD) to simplify application use. Other registers are either bit-wise or standard binary format. When one of the RTC registers is written or read, the contents of all time counters are frozen for up to 1 second. Therefore, faulty writing or reading of the clock and calendar during a carry condition is prevented.

3.1. REGISTER OVERVIEW

After reset, all registers are set according to Table in section REGISTER RESET VALUES SUMMARY.

Address	Function	Bit 7	Bit 6	Bit 5	Bit 4	Bit 3	Bit 2	Bit 1	Bit 0
00h	Control1	TEST	SR	STOP	SR		CIE	12_24	CAP
01h	Control2	AIE	AF	MI	HMI	TF	FD		
02h	Offset	MODE	OFFSET						
03h	RAM	RAM data							
04h	Seconds	OS	40	20	10	8	4	2	1
05h	Minutes	X	40	20	10	8	4	2	1
06h	Hours (24 hour)	X	X	20	10	8	4	2	1
	AMPM			10	8	4	2	1	
07h	Date	X	X	20	10	8	4	2	1
08h	Weekday	X	X	X	X	X	4	2	1
09h	Month	X	X	X	10	8	4	2	1
0Ah	Year	80	40	20	10	8	4	2	1
0Bh	Seconds Alarm	AE_S	40	20	10	8	4	2	1
0Ch	Minutes Alarm	AE_M	40	20	10	8	4	2	1
0Dh	Hours Alarm (24h)	AE_H	X	20	10	8	4	2	1
	AMPM			10	8	4	2	1	
0Eh	Date Alarm	AE_D	X	20	10	8	4	2	1
0Fh	Weekday Alarm	AE_W	X	X	X	X	4	2	1
10h	Timer Value	128	64	32	16	8	4	2	1
11h	Timer Mode	X	X	X	TD		TE	TIE	TI_TP

Bit positions labeled as X are not implemented and will return a 0 when read.

3.2. CONTROL REGISTERS

To ensure that all control registers will be set to their default values, the V_{DD} level must be at zero volts at initial power-up. If this is not possible, a reset must be initiated with the software reset command when power is stable. Refer to section SOFTWARE RESET for details.

00h - Control1

Control and status register 1.

Address	Function	Bit 7	Bit 6	Bit 5	Bit 4	Bit 3	Bit 2	Bit 1	Bit 0
00h	Control1	TEST	SR	STOP	SR		CIE	12_24	CAP
	Reset	0	0	0	0	0	0	0	0
Bit	Symbol	Value	Description						
7	TEST	0	Normal mode.						
		1	External clock test mode. Do not use.						
6	SR	Software Reset (see SOFTWARE RESET)							
		0	No software reset.						
		1	Initiate software reset; this bit always returns a 0 when read. For a software reset, 01011000 (58h) must be sent to register Control1.						
5	STOP	STOP bit (see STOP BIT FUNCTION)							
		0	RTC clock runs.						
		1	RTC clock is stopped; the upper part of the RTC divider chain flip-flops (prescaler F2 to F14) are asynchronously set logic 0. The CLKOUT frequencies 32.768 kHz, 16.384 kHz and 8.192 kHz are still available.						
4:3	SR	Software Reset (see SOFTWARE RESET)							
		00	No software reset.						
		11	Initiate software reset; this bits always returns a 0 when read. For a software reset, 01011000 (58h) must be sent to register Control1.						
2	CIE	Compensation Interrupt Enable (see FREQUENCY OFFSET COMPENSATION)							
		0	No compensation interrupt will be generated.						
1	1	Compensation interrupt pulses will be generated on pin \overline{INT} at every compensation cycle.							
1	12_24	12 or 24 hour mode (see TIME AND DATE REGISTERS and ALARM REGISTERS)							
		0	24 hour mode is selected (0 to 23).						
		1	12 hour mode is selected (1 to 12).						
0	CAP	0	Must always be written with logic 0.						

01h - Control2

Control and status register 2.

Address	Function	Bit 7	Bit 6	Bit 5	Bit 4	Bit 3	Bit 2	Bit 1	Bit 0
01h	Control2	AIE	AF	MI	HMI	TF	FD		
	Reset	0	0	0	0	0	0	0	0
Bit	Symbol	Value	Description						
7	AIE	Alarm Interrupt Enable (see ALARM FUNCTION and INTERRUPT OUTPUT)							
		0	Disabled						
		1	Enabled						
6	AF	Alarm Flag (see ALARM FUNCTION and INTERRUPT OUTPUT)							
		0	Read: Alarm Flag inactive Write: Alarm Flag is cleared						
		1	Read: Alarm Flag active Write: Alarm Flag remains unchanged						
5	MI	Minute Interrupt Enable (see MINUTE AND HALF MINUTE INTERRUPT FUNCTION and TIMER FLAG TF)							
		0	Disabled						
		1	Enabled						
4	HMI	Half Minute Interrupt Enable (see MINUTE AND HALF MINUTE INTERRUPT FUNCTION and TIMER FLAG TF)							
		0	Disabled						
		1	Enabled						
3	TF	Timer Flag (see COUNTDOWN TIMER FUNCTION, INTERRUPT OUTPUT and TIMER FLAG TF)							
		0	No timer interrupt generated						
		1	Flag set when timer interrupt generated						
2:0	FD	000 to 111	CLKOUT Frequency (see CLKOUT FREQUENCY SELECTION)						
FD	CLKOUT Frequency								
000	32.768 kHz – Default value								
001	16.384 kHz								
010	8.192 kHz								
011	4.096 kHz								
100	2.048 kHz								
101	1.024 kHz								
110	1 Hz ⁽¹⁾								
111	CLKOUT = LOW								

⁽¹⁾ 1 Hz clock pulses are affected by compensation pulses (see FREQUENCY OFFSET COMPENSATION).

02h – Offset Register

This register holds the OFFSET value to digitally compensate the initial frequency deviation of the 32.768 kHz oscillator or for aging adjustment (see FREQUENCY OFFSET COMPENSATION).

Address	Function	Bit 7	Bit 6	Bit 5	Bit 4	Bit 3	Bit 2	Bit 1	Bit 0
02h	Offset	MODE	OFFSET						
	Reset	0	0	0	0	0	0	0	0
Bit	Symbol	Value	Description						
7	MODE	Offset Mode							
		0	Normal Mode: Offset is made once every two hours.						
		1	Fast Mode: Offset is made every 4 minutes.						
6:0	OFFSET	-64 to +63	Offset value. For MODE = 0, each LSB introduces an offset of 4.34 ppm. For MODE = 1, each LSB introduces an offset of 4.069 ppm. The values of 4.34 ppm and 4.069 ppm are based on a nominal 32.768 kHz clock. The offset value is coded in two's complement giving a range of +63 LSB to -64 LSB (see FREQUENCY OFFSET COMPENSATION).						
OFFSET	OFFSET compensation value in decimal	Compensation pulses in steps	CLKOUT frequency offset in ppm ⁽¹⁾						
			Normal Mode MODE = 0	Fast Mode MODE = 1					
01111111	63	+63	+273.420	+256.347					
01111110	62	+62	+269.080	+252.278					
:	:	:	:	:					
00000001	1	+1	+4.340	+4.069					
00000000	0	0	0	0					
11111111	127	-1	-4.340	-4.069					
11111110	126	-2	-8.680	-8.138					
:	:	:	:	:					
10000001	65	-63	-273.420	-256.347					
10000000	64	-64	-277.760	-260.416					

⁽¹⁾ The frequency offset measured at CLKOUT pin can be compensated by computing the compensation value OFFSET and writing it into the Offset register (see OFFSET COMPENSATION CALCULATION WORKFLOW).

03h - RAM

Free RAM byte, which can be used for any purpose, for example, status byte of the system.

Address	Function	Bit 7	Bit 6	Bit 5	Bit 4	Bit 3	Bit 2	Bit 1	Bit 0
03h	RAM	RAM data							
	Reset	0	0	0	0	0	0	0	0
Bit	Symbol	Value	Description						
7:0	RAM	00h to FFh	User RAM						

3.3. TIME AND DATE REGISTERS

04h - Seconds

This register holds the count of seconds, in two binary coded decimal (BCD) digits. Values will be from 00 to 59.

Address	Function	Bit 7	Bit 6	Bit 5	Bit 4	Bit 3	Bit 2	Bit 1	Bit 0
04h	Seconds	OS	40	20	10	8	4	2	1
	Reset	1	0	0	0	0	0	0	0
Bit	Symbol	Value	Description						
7	OS	Oscillator Stop (see OSCILLATOR STOP FLAG)							
		0	Clock integrity is guaranteed.						
		1	Clock integrity is not guaranteed; oscillator has stopped or has been interrupted. – Default value						
6:0	Seconds	00 to 59	Holds the count of seconds, coded in BCD format.						

05h - Minutes

This register holds the count of minutes, in two binary coded decimal (BCD) digits. Values will be from 00 to 59.

Address	Function	Bit 7	Bit 6	Bit 5	Bit 4	Bit 3	Bit 2	Bit 1	Bit 0
05h	Minutes	X	40	20	10	8	4	2	1
	Reset	0	0	0	0	0	0	0	0
Bit	Symbol	Value	Description						
7	X	0	Unused						
6:0	Minutes	00 to 59	Holds the count of minutes, coded in BCD format.						

06h – Hours

This register holds the count of hours, in two binary coded decimal (BCD) digits. If the 12_24 bit is cleared (default) (see CONTROL REGISTERS, 00h - Control1) the values will be from 0 to 23. If the 12_24 bit is set, the hour values will range from 1 to 12 and the AMPM bit will be 0 for AM hours and 1 for PM hours.

Address	Function	Bit 7	Bit 6	Bit 5	Bit 4	Bit 3	Bit 2	Bit 1	Bit 0
06h	Hours (24 hour mode) – default value	X	X	20	10	8	4	2	1
	AMPM			10	8	4	2	1	
	Reset	0	0	0	0	0	0	0	0
Hours (24 hour mode), 12_24 = 0 – default value									
Bit	Symbol	Value	Description						
7:6	X	0	Unused						
5:0	Hours (24 hour mode) – default value	0 to 23	Holds the count of hours, coded in BCD format.						
Hours (12 hour mode), 12_24 = 1									
Bit	Symbol	Value	Description						
7:6	X	0	Unused						
5	AMPM	0	AM hours.						
		1	PM hours.						
4:0	Hours (12 hour mode)	1 to 12	Holds the count of hours, coded in BCD format.						

07h – Date

This register holds the current date of the month, in two binary coded decimal (BCD) digits. Values will range from 01 to 31. Leap years are correctly handled from 2000 to 2099.

Address	Function	Bit 7	Bit 6	Bit 5	Bit 4	Bit 3	Bit 2	Bit 1	Bit 0
07h	Date	X	X	20	10	8	4	2	1
	Reset	0	0	0	0	0	0	0	1
Bit	Symbol	Value	Description						
7:6	X	0	Unused						
5:0	Date	01 to 31	Holds the current date of the month, coded in BCD format. – Default value = 01						

08h - Weekday

This register holds the current day of the week. Each value represents one weekday that is assigned by the user. Values will range from 0 to 6.

Address	Function	Bit 7	Bit 6	Bit 5	Bit 4	Bit 3	Bit 2	Bit 1	Bit 0
08h	Weekday	X	X	X	X	X	4	2	1
	Reset	0	0	0	0	0	1	1	0
Bit	Symbol	Value	Description						
7:3	X	0	Unused						
2:0	Weekday	0 to 6	Holds the weekday counter value.						
Weekday		Bit 7	Bit 6	Bit 5	Bit 4	Bit 3	Bit 2	Bit 1	Bit 0
Weekday 1		0	0	0	0	0	0	0	0
Weekday 2							0	0	1
Weekday 3							0	1	0
Weekday 4							0	1	1
Weekday 5							1	0	0
Weekday 6							1	0	1
Weekday 7 – Default value							1	1	0

09h - Month

This register holds the current month, in two binary coded decimal (BCD) digits. Values will range from 01 to 12.

Address	Function	Bit 7	Bit 6	Bit 5	Bit 4	Bit 3	Bit 2	Bit 1	Bit 0
09h	Month	X	X	X	10	8	4	2	1
	Reset	0	0	0	0	0	0	0	1
Bit	Symbol	Value	Description						
7:5	X	0	Unused						
4:0	Month	01 to 12	Holds the current month, coded in BCD format.						
Month	Bit 7	Bit 6	Bit 5	Bit 4	Bit 3	Bit 2	Bit 1	Bit 0	
January – Default value	0	0	0	0	0	0	0	1	
February				0	0	0	1	0	
March				0	0	0	1	1	
April				0	0	1	0	0	
May				0	0	1	0	1	
June				0	0	1	1	0	
July				0	0	1	1	1	
August				0	1	0	0	0	
September				0	1	0	0	1	
October				1	0	0	0	0	
November				1	0	0	0	1	
December				1	0	0	1	0	

0Ah - Year

This register holds the current year, in two binary coded decimal (BCD) digits. Values will range from 00 to 99. Leap years are correctly handled from 2000 to 2099.

Address	Function	Bit 7	Bit 6	Bit 5	Bit 4	Bit 3	Bit 2	Bit 1	Bit 0
0Ah	Year	80	40	20	10	8	4	2	1
	Reset	0	0	0	0	0	0	0	0
Bit	Symbol	Value	Description						
7:0	Year	00 to 99	Holds the current year, coded in BCD format.						

3.4. ALARM REGISTERS

0Bh – Seconds Alarm

This register holds the Seconds Alarm Enable bit AE_S and the alarm value for seconds, in two binary coded decimal (BCD) digits. Values will range from 00 to 59.

Address	Function	Bit 7	Bit 6	Bit 5	Bit 4	Bit 3	Bit 2	Bit 1	Bit 0
0Bh	Seconds Alarm	AE_S	40	20	10	8	4	2	1
	Reset	1	0	0	0	0	0	0	0
Bit	Symbol	Value	Description						
7	AE_S	Seconds Alarm Enable bit (see ALARM FUNCTION)							
		0	Enabled						
		1	Disabled – Default value						
6:0	Seconds Alarm	00 to 59	Holds the alarm value for seconds, coded in BCD format.						

0Ch – Minutes Alarm

This register holds the Minutes Alarm Enable bit AE_M and the alarm value for minutes, in two binary coded decimal (BCD) digits. Values will range from 00 to 59.

Address	Function	Bit 7	Bit 6	Bit 5	Bit 4	Bit 3	Bit 2	Bit 1	Bit 0
0Ch	Minutes Alarm	AE_M	40	20	10	8	4	2	1
	Reset	1	0	0	0	0	0	0	0
Bit	Symbol	Value	Description						
7	AE_M	Minutes Alarm Enable bit (see ALARM FUNCTION)							
		0	Enabled						
		1	Disabled – Default value						
6:0	Minutes Alarm	00 to 59	Holds the alarm value for minutes, coded in BCD format.						

0Dh – Hours Alarm

This register holds the Hours Alarm Enable bit AE_H and the alarm value for hours, in two binary coded decimal (BCD) digits. If the 12_24 bit is cleared (default value) (see CONTROL REGISTERS, 00h - Control1) the values will range from 00 to 23. If the 12_24 bit is set, the hour values will be from 01 to 12 and the AMPM bit will be 0 for AM hours and 1 for PM hours.

Address	Function	Bit 7	Bit 6	Bit 5	Bit 4	Bit 3	Bit 2	Bit 1	Bit 0
0Dh	Hours Alarm (24 hour mode) – default value	AE_H	X	20	10	8	4	2	1
	Hours Alarm (12 hour mode)			AMPM	10	8	4	2	1
	Reset	1	0	0	0	0	0	0	0
Hours Alarm (24 hour mode), 12_24 = 0 – default value									
Bit	Symbol	Value	Description						
7	AE_H	Hours Alarm Enable bit (see ALARM FUNCTION)							
		0	Enabled						
		1	Disabled – Default value						
6	X	0	Unused						
5:0	Hours Alarm (24 hour mode) – default value	00 to 23	Holds the alarm value for hours, coded in BCD format.						
Hours Alarm (12 hour mode), 12_24 = 1									
Bit	Symbol	Value	Description						
7	AE_H	Hours Alarm Enable bit (see ALARM FUNCTION)							
		0	Enabled						
		1	Disabled – Default value						
6	X	0	Unused						
5	AMPM	0	AM hours.						
		1	PM hours.						
4:0	Hours Alarm (12 hour mode)	01 to 12	Holds the alarm value for hours, coded in BCD format.						

0Eh - Date Alarm

This register holds the Date Alarm Enable bit AE_D and the alarm value for the date, in two binary coded decimal (BCD) digits. Values will range from 01 to 31.

Address	Function	Bit 7	Bit 6	Bit 5	Bit 4	Bit 3	Bit 2	Bit 1	Bit 0
0Eh	Date Alarm	AE_D	X	20	10	8	4	2	1
	Reset	1	0	0	0	0	0	0	0
Bit	Symbol	Value	Description						
7	AE_D	Date Alarm Enable bit (see ALARM FUNCTION)							
		0	Enabled						
		1	Disabled – Default value						
6	X	0	Unused						
5:0	Date Alarm	01 to 31	Holds the alarm value for the date, coded in BCD format.						

0Fh – Weekday Alarm

This register holds the Weekday Alarm Enable bit AE_W and the alarm value for the weekday, in two binary coded decimal (BCD) digits. Values will range from 0 to 6.

Address	Function	Bit 7	Bit 6	Bit 5	Bit 4	Bit 3	Bit 2	Bit 1	Bit 0
0Fh	Weekday Alarm	AE_W	X	X	X	X	4	2	1
	Reset	1	0	0	0	0	0	0	0
Bit	Symbol	Value	Description						
7	AE_W	Weekday Alarm Enable bit (see ALARM FUNCTION)							
		0	Enabled						
		1	Disabled – Default value						
6:3	X	0	Unused						
2:0	Weekday Alarm	0 to 6	Holds the weekday alarm value, coded in BCD format.						

3.5. TIMER REGISTERS

10h – Timer Value

This register holds the current value of the Countdown Timer. It may be loaded with the desired starting value when the Countdown Timer is stopped.

Address	Function	Bit 7	Bit 6	Bit 5	Bit 4	Bit 3	Bit 2	Bit 1	Bit 0
10h	Timer Value	128	64	32	16	8	4	2	1
	Reset	0	0	0	0	0	0	0	0
Bit	Symbol	Value	Description						
7:0	Timer Value	00h to FFh	Countdown Timer Value (see COUNTDOWN TIMER FUNCTION)						

Countdown Period in seconds:

$$\text{Countdown Period} = \frac{\text{Timer Value}}{\text{Timer Clock Frequency}}$$

11h – Timer Mode

This register controls the Countdown Timer function.

Address	Function	Bit 7	Bit 6	Bit 5	Bit 4	Bit 3	Bit 2	Bit 1	Bit 0
11h	Timer Mode	X	X	X	TD		TE	TIE	TI_TP
	Reset	0	0	0	1	1	0	0	0
Bit	Symbol	Value	Description						
7:5	X	0	Unused						
4:3	TD	Timer Clock Frequency (see COUNTDOWN TIMER FUNCTION) ⁽¹⁾							
		00	4.096 kHz						
		01	64 Hz ⁽²⁾						
		10	1 Hz ⁽²⁾						
2	TE	Timer Enable							
		0	Disabled – Default value						
1	TIE	Timer Interrupt Enable							
		0	No interrupt generated from timer. – Default value						
0	TI_TP	Timer Interrupt Mode. How the setting of TI_TP and the Timer Flag TF can affect the $\overline{\text{INT}}$ pulse generation is explained in sections COUNTDOWN TIMER FUNCTION and MINUTE AND HALF MINUTE INTERRUPT FUNCTION.							
		0	Interval Mode. Interrupt follows Timer Flag TF. – Default value						
		1	Pulse Mode. Interrupt generates a pulse.						
⁽¹⁾ When not in use, the TD field is recommended to be set to 11 (1/60 Hz) for power saving. ⁽²⁾ Time periods can be affected by compensation pulses (64 Hz only in MODE = 1), (see FREQUENCY OFFSET COMPENSATION).									

3.6. REGISTER RESET VALUES SUMMARY

Address	Function	Bit 7	Bit 6	Bit 5	Bit 4	Bit 3	Bit 2	Bit 1	Bit 0
00h	Control1	0	0	0	0	0	0	0	0
01h	Control2	0	0	0	0	0	0	0	0
02h	Offset	0	0	0	0	0	0	0	0
03h	RAM	0	0	0	0	0	0	0	0
04h	Seconds	1	0	0	0	0	0	0	0
05h	Minutes	0	0	0	0	0	0	0	0
06h	Hours (24h / 12h)	0	0	0	0	0	0	0	0
07h	Date	0	0	0	0	0	0	0	1
08h	Weekday	0	0	0	0	0	1	1	0
09h	Month	0	0	0	0	0	0	0	1
0Ah	Year	0	0	0	0	0	0	0	0
0Bh	Seconds Alarm	1	0	0	0	0	0	0	0
0Ch	Minutes Alarm	1	0	0	0	0	0	0	0
0Dh	Hours Alarm (24h / 12h)	1	0	0	0	0	0	0	0
0Eh	Date Alarm	1	0	0	0	0	0	0	0
0Fh	Weekday Alarm	1	0	0	0	0	0	0	0
10h	Timer Value	0	0	0	0	0	0	0	0
11h	Timer Mode	0	0	0	1	1	0	0	0

RV-8063-C7 resets to:

Time (hh:mm:ss) = 00:00:00
 Date (YY-MM-DD) = 00-01-01
 Weekday = Weekday 7
 Mode = RTC clock runs, 24 h mode
 Pins = CLKOUT Frequency = 32.768 kHz (when CLKOE is HIGH)
 Offset = 0
 Alarms = disabled
 Timer = disabled, Timer Clock Frequency = 1/60 Hz
 Interrupts = disabled

4. DETAILED FUNCTIONAL DESCRIPTION

4.1. POWER ON RESET (POR)

The power on reset (POR) is generated at start-up. All registers including the Counter Registers are initialized to their reset values (see REGISTER RESET VALUES SUMMARY).

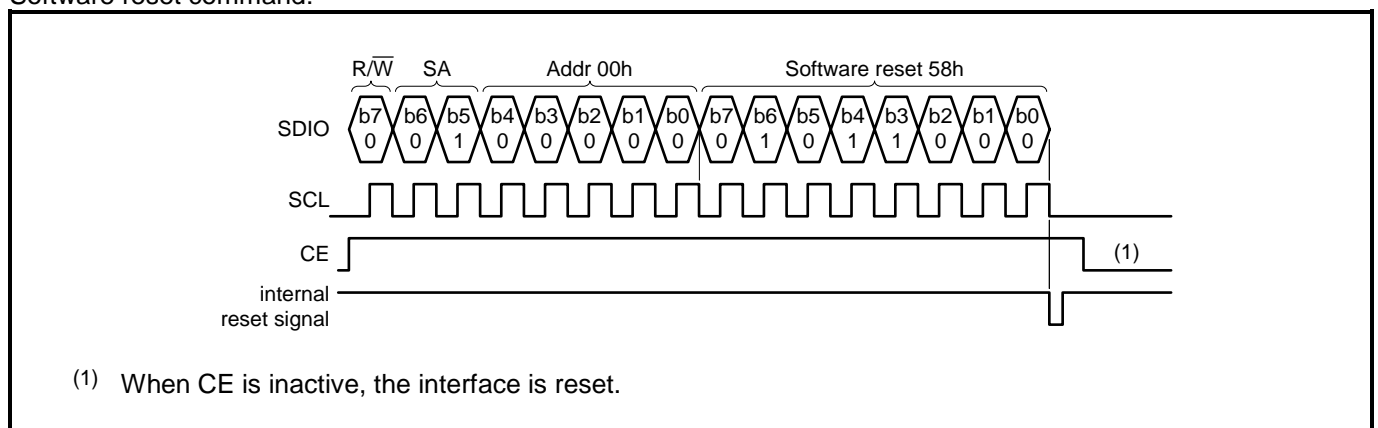
There is a small probability that the registers of the RV-8203-C7 are corrupted after an automatic power-on reset if the device is powered up with a residual V_{DD} level. For a correct POR it is required that the V_{DD} starts at zero volts at power up or upon power cycling to ensure that the registers are not corrupted.

If a valid POR cannot be performed, the reset must be initiated with the software reset command after power-up (i.e. when power is stable). See following section SOFTWARE RESET.

4.2. SOFTWARE RESET

Beside the POR, a reset can also be initiated with the software reset command. Software reset command requires a combination of the bits 6, 4, and 3 in register Control1 (00h) set to 1 and all other bits to 0 by sending the bit sequence 01011000 (58h), see following Figure.

Software reset command:



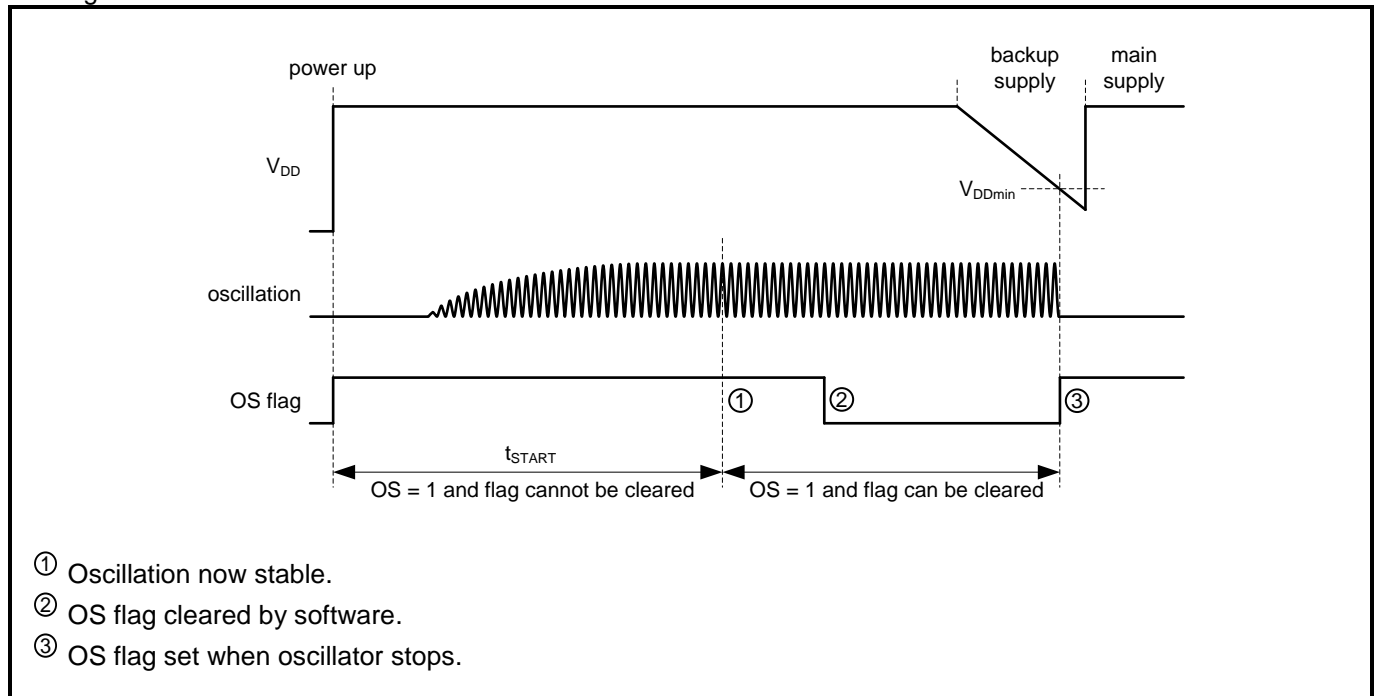
In reset state all registers are set according to the Table in section REGISTER RESET VALUES SUMMARY and the address pointer points to no address.

4.3. OSCILLATOR STOP FLAG

When the oscillator of the RV-8063-C7 is stopped, the Oscillator Stop flag OS is set. The oscillator is considered to be stopped between power up and stable crystal oscillation (start-up time t_{START}). This time can be in a range of typical 200 ms to maximal 2 s depending on temperature and supply voltage.

The flag remains set until cleared by command (see following Figure). If the flag cannot be cleared, then the oscillator is not running. This method can be used to monitor the oscillator and to determine if the supply voltage has reduced to the point where oscillation fails.

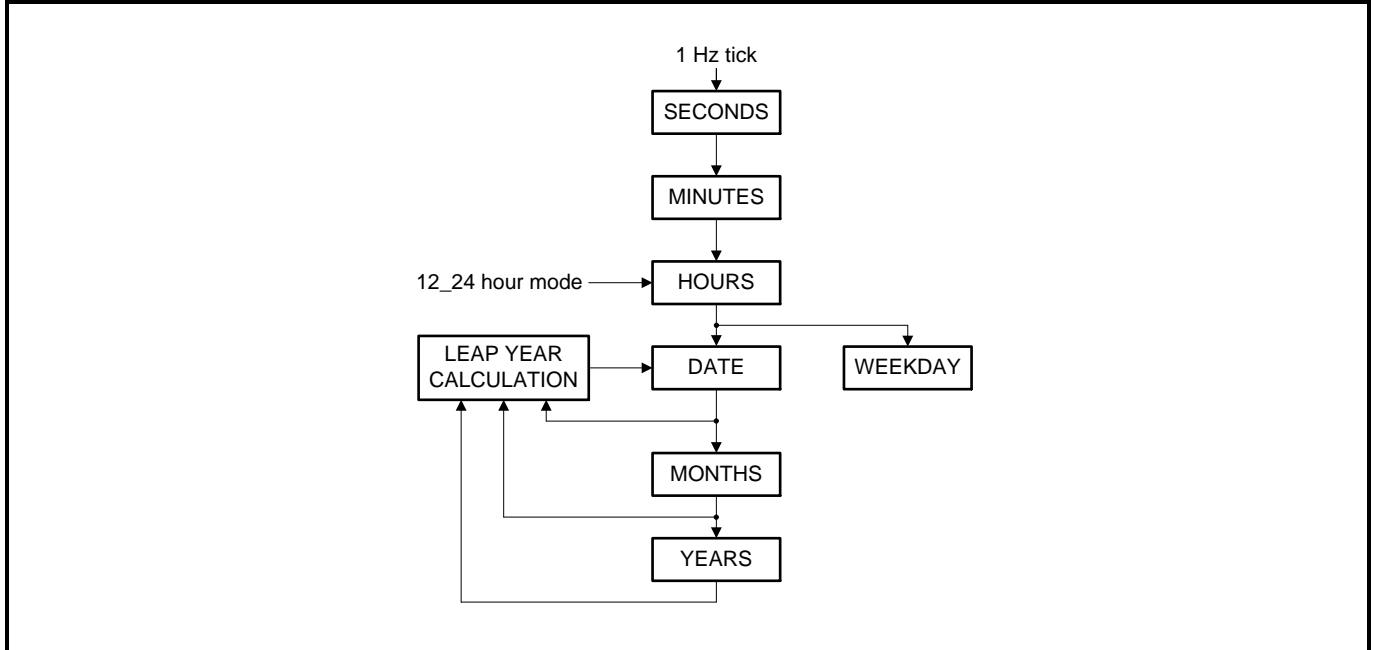
OS flag:



4.4. SETTING AND READING THE TIME

The following Figure shows the data flow and data dependencies starting from the 1 Hz clock tick.

Data flow for the time function:



During read/write operations, the time counting registers (memory locations 04h through 0Ah) are frozen for 1 second.

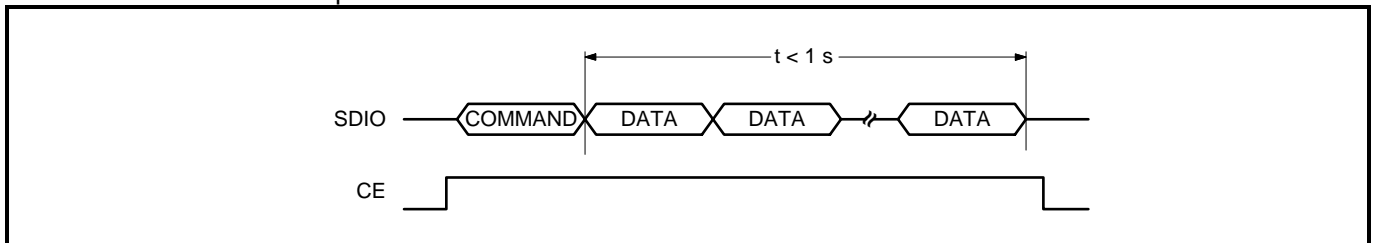
The freezing prevents:

- Faulty reading of the clock and calendar during a carry condition
- Incrementing the time registers during the read cycle

When the read/write access has been terminated within 1 second ($t < 1\text{ s}$), the time circuit is de-frozen immediately and any pending request to increment the time counters that occurred during the read/write access is correctly applied. Maximal one 1 Hz tick can be handled.

When the read/write access last longer than 1 second, the time circuit is de-frozen automatically after 1 second in order not to miss 1 Hz ticks and the lost 1 Hz ticks cannot be handled completely. Therefore, each interface communication has to be correctly terminated within 1 second (see following Figure).

Access time for read/write operations:



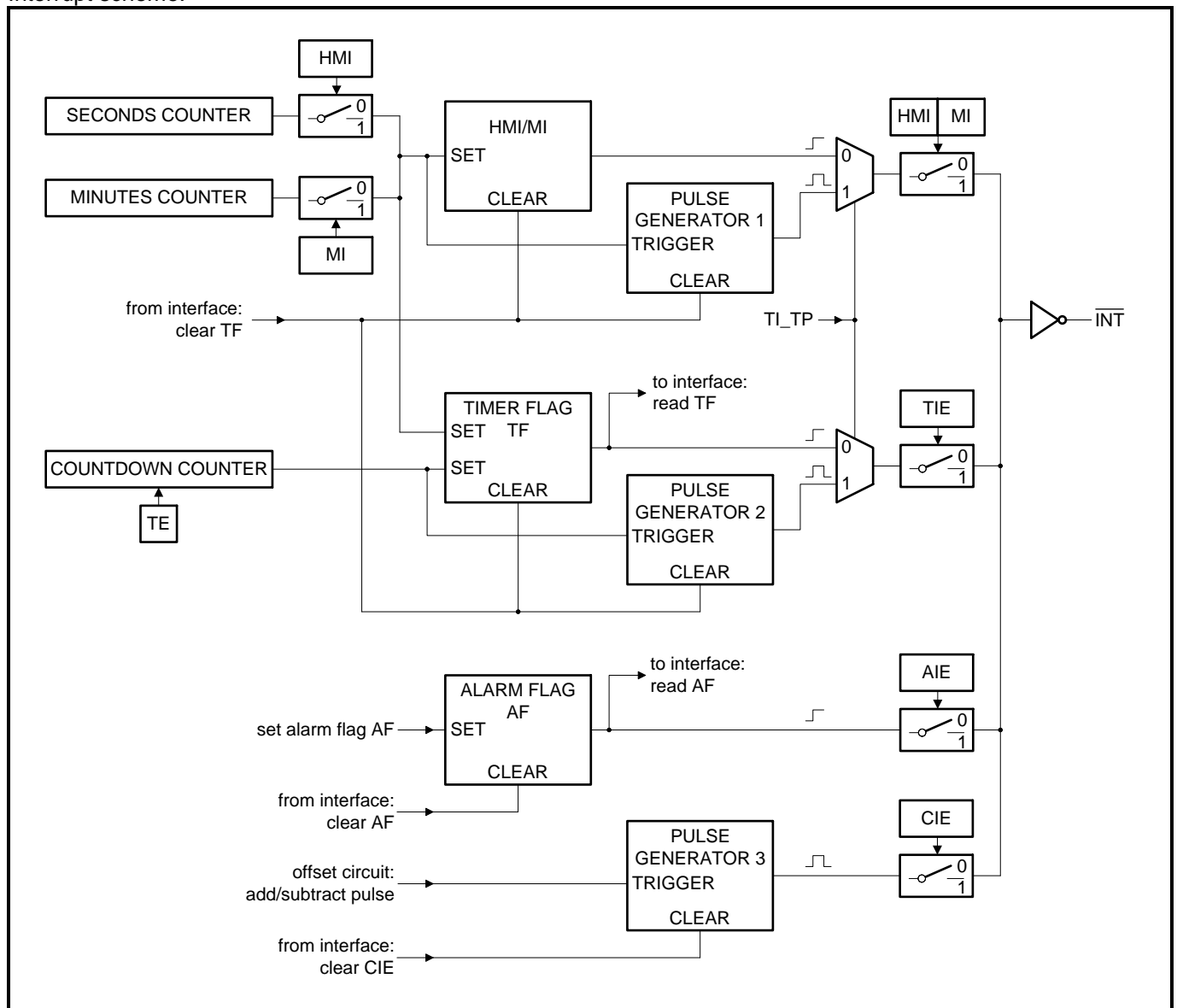
Because of this method, it is very important to make a read or write access in one go, that is, setting or reading seconds through to year should be made in one single access. Failing to comply with this method could result in the time becoming corrupted.

4.5. INTERRUPT OUTPUT

The interrupt pin \overline{INT} can be triggered by four different functions:

- ALARM FUNCTION
- COUNTDOWN TIMER FUNCTION
- MINUTE AND HALF MINUTE INTERRUPT FUNCTION
- COMPENSATION INTERRUPT FUNCTION

Interrupt scheme:

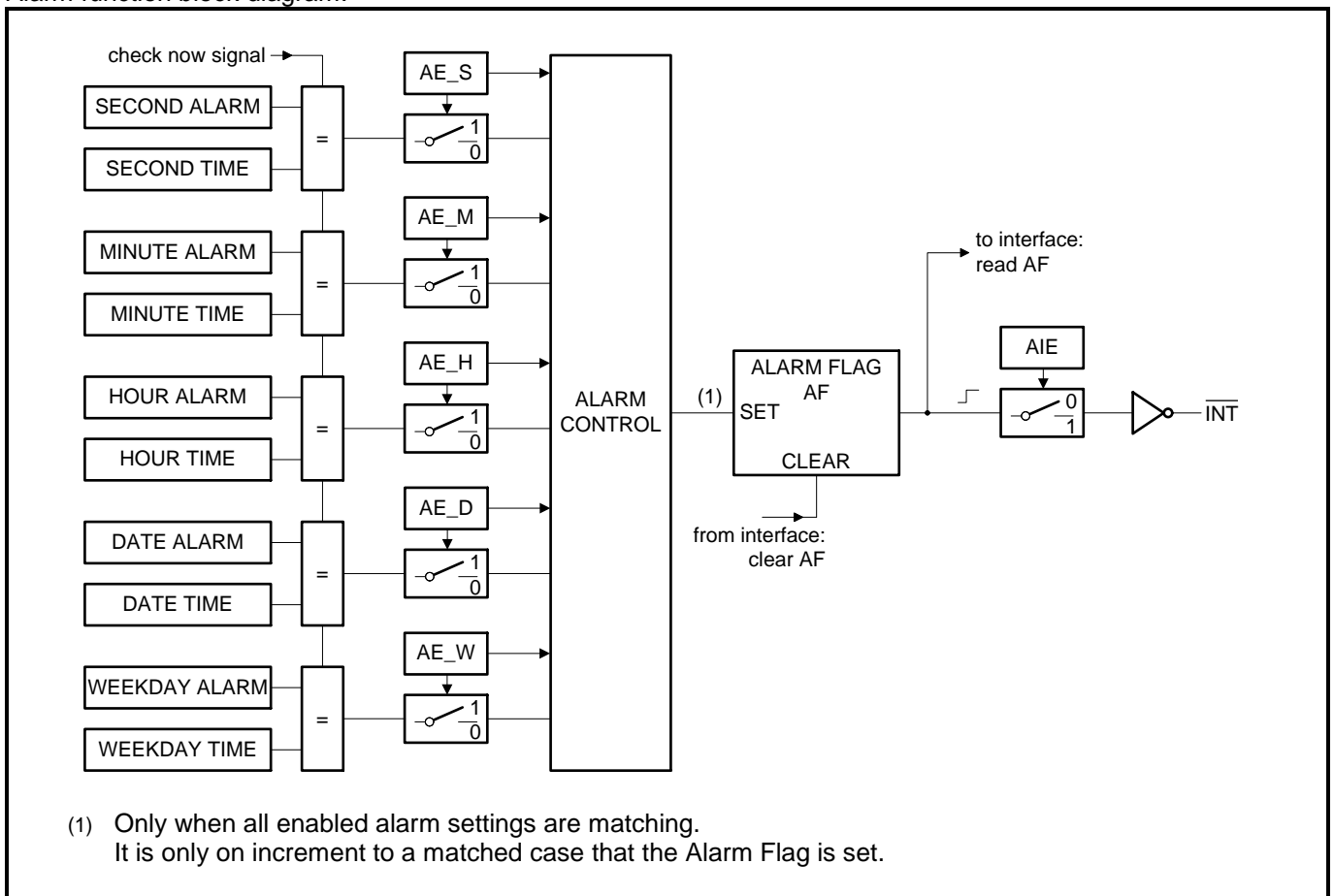


4.6. ALARM FUNCTION

By clearing the alarm enable bit (AE_x) of one or more of the alarm registers, the corresponding alarm condition(s) are active. When an alarm occurs, AF is set logic 1. The asserted AF can be used to generate an interrupt (\overline{INT}). The AF is cleared by command.

The registers at addresses 0Bh through 0Fh contain alarm information. When one or more of these registers is loaded with second, minute, hour, date or weekday, and its corresponding AE_x is logic 0, then that information is compared with the current second, minute, hour, date, and weekday. When all enabled comparisons first match, the Alarm Flag (AF in CONTROL REGISTERS, 01h – Control2) is set logic 1.

Alarm function block diagram:



4.6.1. ALARM INTERRUPT

The generation of interrupts from the alarm function is controlled via bit AIE. If bit AIE is enabled, the \overline{INT} pin follows the condition of bit AF. AF remains set until cleared by command. Once AF has been cleared, it will only be set again when the time increments to match the alarm condition once more. Alarm registers which have their AE_x bit at logic 1 are ignored.

4.7. COUNTDOWN TIMER FUNCTION

4.7.1. TIMER FLAG TF

The Timer Flag (bit TF) is set logic 1 on the first trigger of the Countdown Timer or the MI and HMI Interrupt. The purpose of the flag is to allow the controlling system to interrogate what caused the interrupt: Timer/MI/HMI or Alarm. The flag can be read and cleared by command.

The status of the Timer Flag TF can affect the $\overline{\text{INT}}$ pulse generation depending on the setting of TI_TP (see TIMER REGISTERS, 11h – Timer Mode):

4.7.2. TIMER INTERRUPT MODE TI_TP

When Interrupt is in Interval Mode (TI_TP = 0):

- only one Interrupt after the first countdown when TF is not cleared
- the $\overline{\text{INT}}$ generation follows the TF flag
- TF stays set until it is cleared
- If TF is not cleared before the next coming interrupt, no $\overline{\text{INT}}$ is generated

When Interrupt is in Timer Pulse Mode (TI_TP = 1):

- the Countdown Timer runs in a repetitive loop and keeps generating periodic interrupts
- an $\overline{\text{INT}}$ pulse is generated independent of the status of the Timer Flag TF
- TF stays set until it is cleared.
- TF does not affect $\overline{\text{INT}}$

4.7.3. PULSE GENERATOR 2

When the Timer Pulse Mode is activated (TI_TP = 1) the Pulse Generator 2 for the Countdown Timer Interrupt uses an internal clock and is dependent on the selected Timer Clock Frequency for the countdown timer and on the Timer Value. As a consequence, the width of the interrupt pulse varies (see following Table). The pulse widths are not affected by the Offset Mode (bit MODE). TF and $\overline{\text{INT}}$ become active simultaneously.

$\overline{\text{INT}}$ pulse width when using Countdown Timer:

Timer Clock Frequency	$\overline{\text{INT}}$ pulse width	
	Timer Value = 1 ⁽¹⁾	Timer Value > 1 ⁽¹⁾
4.096 kHz	122 μs	244 μs
64 Hz	7.812 ms	15.625 ms
1 Hz	15.625 ms	15.625 ms
1/60 Hz	15.625 ms	15.625 ms

⁽¹⁾ Timer Value = loaded countdown value. Timer stops when Timer Value = 0.

4.7.4.USE OF THE COUNTDOWN TIMER

The timer has four selectable source clocks allowing for countdown periods in the range from 244 μs to 4 hours 15 min. For periods longer than 4 hours, the alarm function can be used.

Timer Clock Frequency and timer periods:

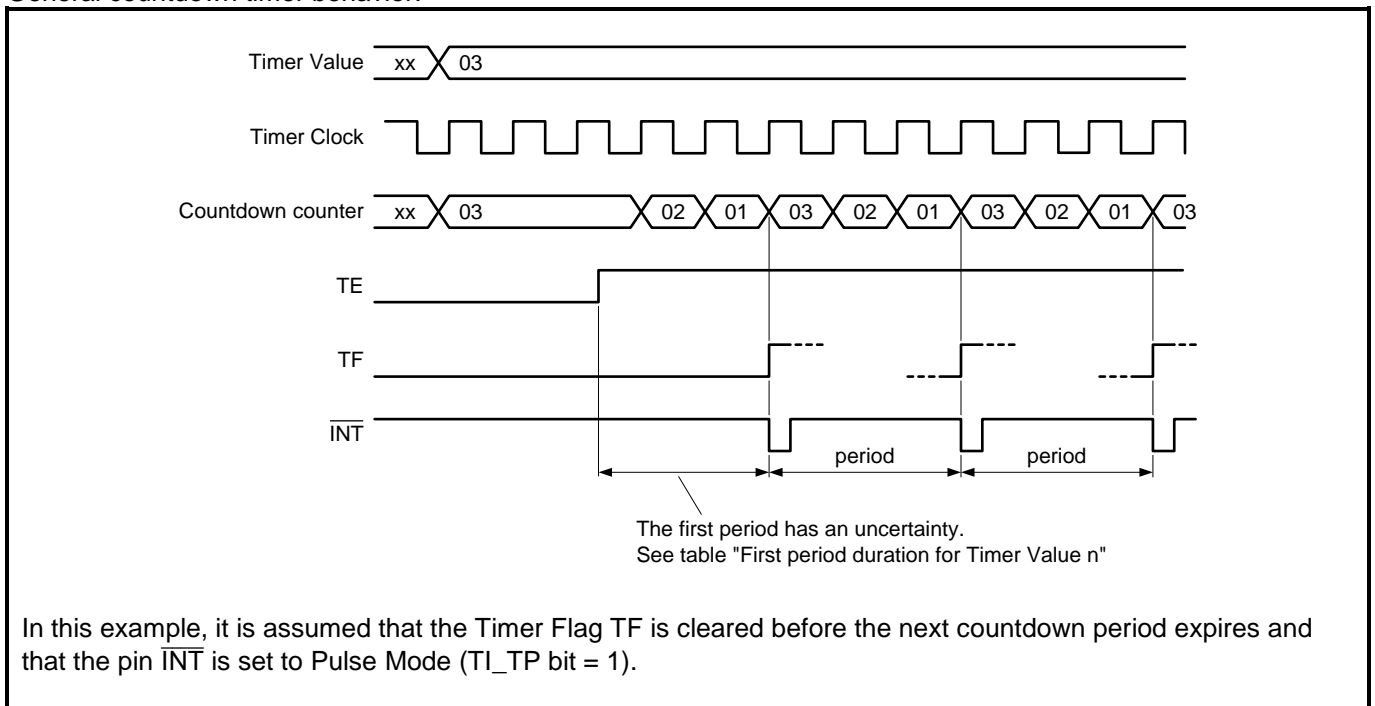
TD	Timer Clock Frequency ⁽¹⁾	Period	
		Minimum Period, Timer Value = 1	Maximum Period, Timer Value = 255
00	4.096 kHz	244 μs	62.256 ms
01	64 Hz ⁽²⁾	15.625 ms	3.984 s
10	1 Hz ⁽²⁾	1 s	255 s
11	1/60 Hz ⁽²⁾	60 s	4 hours 15 min

(1) When not in use, the TD field is recommended to be set to 11 (1/60 Hz) for power saving.
 (2) Time periods can be affected by compensation pulses (64 Hz only in MODE = 1), (see FREQUENCY OFFSET COMPENSATION).

Note that all timings are generated from the 32.768 kHz oscillator and therefore, based on the frequency characteristics specified for the device, have a temperature profile with a parabolic frequency deviation which can result in a change of up to 150 ppm across the entire operating temperature range of -40°C to 85°C (max. ± 20 ppm at 25°C).

The timer counts down from the software-loaded 8-bit binary Timer Value in register 10h. Timer Values from 1 to 255 are valid. Loading the counter with 0 stops the timer. When the counter decrements from 1, the Timer Flag (bit TF in register Control2) is set and the counter automatically re-loads and starts the next timer period.

General countdown timer behavior:



If a new Timer Value is written before the end of the current timer period, then this value takes immediate effect. It is not recommended changing the Timer Value without first disabling the counter by setting bit TE logic 0. The update of the Timer Value is asynchronous to the Timer Clock. Therefore changing it without setting bit TE logic 0 may result in a corrupted value loaded into the countdown counter. This results in an undetermined countdown period for the first period. The Timer Value will, however, be correctly stored and correctly loaded on subsequent timer periods.

When the TF flag is set, an interrupt signal on $\overline{\text{INT}}$ is generated if this mode is enabled. See Section INTERRUPT OUTPUT for details on how the interrupt can be controlled.

When starting the timer for the first time, the first period has an uncertainty. The uncertainty is a result of the enable instruction being generated from the interface clock which is asynchronous from the Timer Clock Frequency. Subsequent timer periods do not have such deviation. The amount of deviation for the first timer period depends on the chosen source clock, see following Table.

First period duration for Timer Value $n^{(1)}$:

TD	Timer Clock Frequency	First period duration		Subsequent periods duration
		Minimum Period	Maximum Period	
00	4.096 kHz	$(n - 1) * 244 \mu\text{s}$	$n * 244 \mu\text{s}$	$n * 244 \mu\text{s}$
01	64 Hz	$(n - 1) * 15.625 \text{ ms}$	$n * 15.625 \text{ ms}$	$n * 15.625 \text{ ms}$
10	1 Hz	$(n - 1) * 1 \text{ s} + 265 \text{ ms}$	$(n - 1) * 1 \text{ s} + 280 \text{ ms}$	$n * 1 \text{ s}$
11	1/60 Hz	$(n - 1) * 60 \text{ s} + 59.212 \text{ s}$	$(n - 1) * 60 \text{ s} + 59.216 \text{ s}$	$n * 60 \text{ s}$

⁽¹⁾ Timer Values n from 1 to 255 are valid. Loading the counter with 0 stops the timer.

At the end of every countdown, the timer sets the countdown Timer Flag (bit TF in register Control2). Bit TF can only be cleared by command. The asserted bit TF can be used to generate an interrupt at pin $\overline{\text{INT}}$. The interrupt may be generated as a pulsed signal every countdown period or as a permanently active signal which follows the condition of bit TF. Bit TI_TP is used to control this mode selection and the interrupt output may be disabled with bit TIE (see TIMER REGISTERS, 11h – Timer Mode; and Figure “General countdown timer behavior” above).

When reading the Timer Value, the current countdown value is returned and **not** the initial Timer Value. Since it is not possible to freeze the countdown timer counter during read back, it is recommended to read the register twice and check for consistent results.

The Timer Clock Frequencies 64 Hz (only in MODE = 1), 1 Hz and 1/60 Hz can be affected by the Offset register. The duration of a programmed period varies according to when the offset is initiated (OFFSET not 00h). For example, if a 100 s timer is set using the 1 Hz clock as source, then some 100 s periods will contain compensation pulses and therefore be longer or shorter depending on the setting of the Offset register (see FREQUENCY OFFSET COMPENSATION).

4.8. MINUTE AND HALF MINUTE INTERRUPT FUNCTION

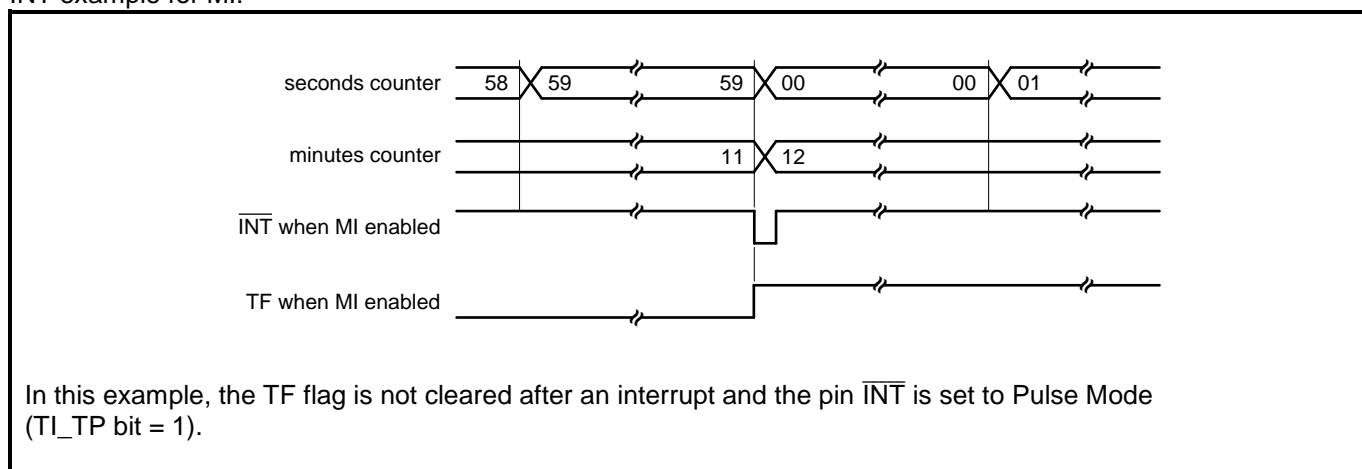
The Minute Interrupt (bit MI) and Half Minute Interrupt (bit HMI) are pre-defined timers for generating interrupt pulses on pin $\overline{\text{INT}}$ (see following Figure). The timers are running in sync with the seconds counter (see TIME AND DATE REGISTERS, 04h - Seconds).

The minute and half minute interrupts must only be used when the frequency offset is set to normal mode (MODE = 0), see FREQUENCY OFFSET COMPENSATION. In normal mode, the interrupt pulses on pin $\overline{\text{INT}}$ are 15.625 ms wide.

When starting MI, the first interrupt will be generated after 1 second to 59 seconds. When starting HMI, the first interrupt will be generated after 1 second to 29 seconds.

Subsequent periods do not have such a delay. The timers can be enabled independently from one another. However, a Minute Interrupt enabled on top of a Half Minute Interrupt is not distinguishable.

$\overline{\text{INT}}$ example for MI:



Effect of bits MI and HMI on $\overline{\text{INT}}$ generation:

Minute Interrupt (bit MI)	Half Minute Interrupt (bit HMI)	Result
0	0	No interrupt generated
1	0	Interrupt every minute
0	1	Interrupt every 30 seconds
1	1	

The duration of the timer is affected by the register Offset (see CONTROL REGISTERS, 02h – Offset Register). Only when OFFSET has the value 00h the periods are consistent.

4.8.1.PULSE GENERATOR 1

When the Timer Pulse Mode is activated (TI_TP = 1) the Pulse Generator 1 for the HMI and MI Interrupt Function uses an internal clock.

The minute and half minute interrupts must only be used when the frequency offset is set to normal mode (MODE = 0). In normal mode, the interrupt pulses on pin $\overline{\text{INT}}$ are 15.625 ms wide. TF and $\overline{\text{INT}}$ become active simultaneously.

4.9. FREQUENCY OFFSET COMPENSATION

The RV-8063-C7 incorporates an Offset register (see CONTROL REGISTERS, 02h – Offset Register) which can be used by customer to compensate the frequency offset of the 32.768 kHz oscillator which allows implementing functions, such as:

- Improve time accuracy
- Aging compensation

02h – Offset Register:

Address	Function	Bit 7	Bit 6	Bit 5	Bit 4	Bit 3	Bit 2	Bit 1	Bit 0
02h	Offset	MODE	OFFSET						
	Reset	0	0	0	0	0	0	0	0
Bit	Symbol	Value	Description						
7	MODE	Offset Mode							
		0	Normal Mode: Offset is made once every two hours.						
		1	Fast Mode: Offset is made every 4 minutes.						
6:0	OFFSET	-64 to +63	Offset value. For MODE = 0, each LSB introduces an offset of 4.34 ppm. For MODE = 1, each LSB introduces an offset of 4.069 ppm. The values of 4.34 ppm and 4.069 ppm are based on a nominal 32.768 kHz clock. The offset value is coded in two's complement giving a range of +63 LSB to -64 LSB.						
OFFSET	OFFSET compensation value in decimal	Compensation pulses in steps	CLKOUT offset value in ppm ⁽¹⁾						
			Normal Mode MODE = 0	Fast Mode MODE = 1					
0111111	63	+63	+273.420	+256.347					
0111110	62	+62	+269.080	+252.278					
:	:	:	:	:					
0000001	1	+1	+4.340	+4.069					
0000000	0	0	0	0					
1111111	127	-1	-4.340	-4.069					
1111110	126	-2	-8.680	-8.138					
:	:	:	:	:					
1000001	65	-63	-273.420	-256.347					
1000000	64	-64	-277.760	-260.416					

⁽¹⁾ The frequency offset measured at CLKOUT pin can be compensated by computing the compensation value OFFSET and writing it into the Offset register (see OFFSET COMPENSATION CALCULATION WORKFLOW).

The compensation is made by adding or subtracting clock compensation pulses. The affects to the different frequencies are listed below.

CLKOUT frequencies:

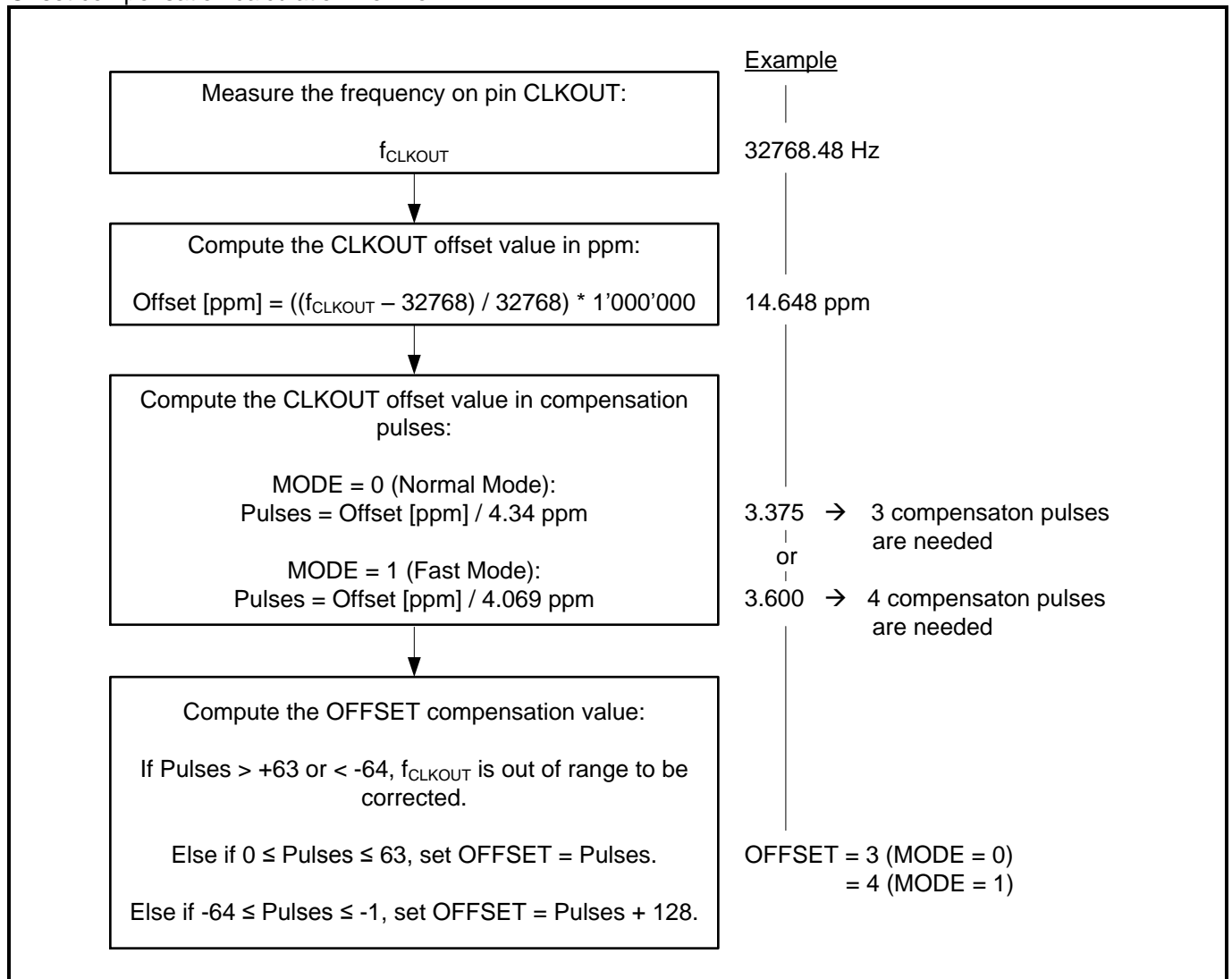
- 1 Hz can be affected
- 1.024 kHz to 32.768 kHz are not affected

Timer Clock frequencies:

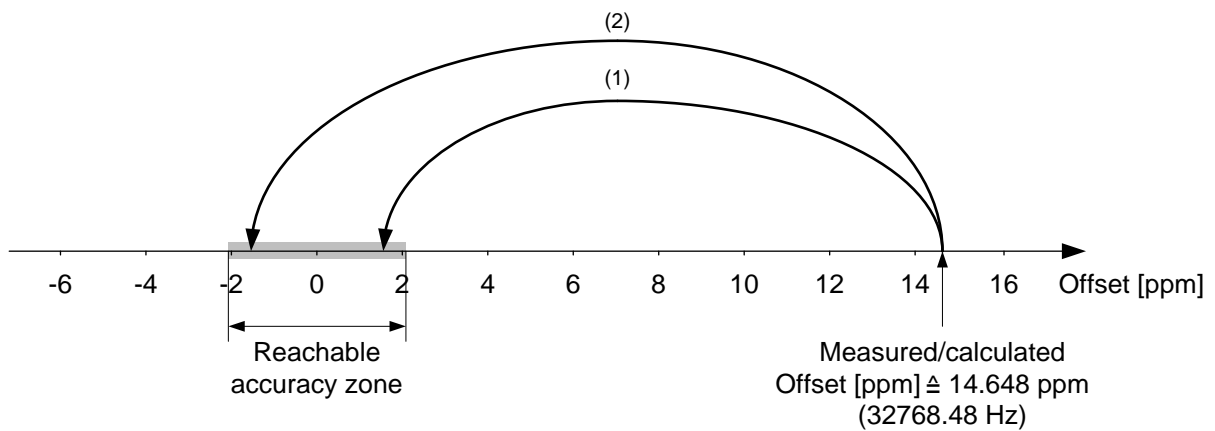
- MODE = 0 (Normal Mode):
 - 1/60 Hz and 1 Hz can be affected
 - 64 Hz and 4.096 kHz are not affected
- MODE = 1 (Fast Mode):
 - 1/60 Hz, 1 Hz and 64 Hz can be affected
 - 4.096 kHz is not affected

4.9.1.OFFSET COMPENSATION CALCULATION WORKFLOW

Offset compensation calculation workflow:



Result of the offset compensation (Example):



With the offset compensation the accuracy of ± 2.17 ppm ($0.5 \cdot$ offset per LSB) can be reached (see CONTROL REGISTERS, 02h – Offset Register).

± 1 ppm corresponds to a time deviation of 0.0864 seconds per day.

- (1) MODE = 0: Deviation after compensation = Offset [ppm] – compensation pulses * 4.34 ppm
 $= 14.648 \text{ ppm} - 3 * 4.34 \text{ ppm} = \underline{+1.628 \text{ ppm}}$
- (2) MODE = 1: Deviation after compensation = Offset [ppm] – compensation pulses * 4.069 ppm
 $= 14.648 \text{ ppm} - 4 * 4.069 \text{ ppm} = \underline{-1.628 \text{ ppm}}$

4.10. COMPENSATION INTERRUPT FUNCTION

It is possible to monitor when compensation pulses are applied. To enable Compensation Interrupt generation, bit CIE (register Control1) has to be set logic 1. At every compensation cycle a pulse is generated on pin $\overline{\text{INT}}$ by the Pulse Generator 3. The pulse width depends on the Offset Mode (MODE bit). If multiple compensation pulses are applied, an interrupt pulse is generated for each compensation pulse applied.

4.10.1. COMPENSATION PULSES WHEN MODE = 0 (NORMAL MODE)

The compensation is triggered once every two hours and then compensation pulses are applied once per minute until the programmed offset value has been compensated.

Compensation pulses when MODE = 0:

Compensation pulses in steps	Update every n th hour	Minute	Compensation pulses on $\overline{\text{INT}}$ per minute ⁽¹⁾
+1 or -1	2	00	1
+2 or -2	2	00 and 01	1
+3 or -3	2	00, 01, and 02	1
:	:	:	:
+59 or -59	2	00 to 58	1
+60 or -60	2	00 to 59	1
+61 or -61	2	00 to 59	1
	2nd and next hour	00	1
+62 or -62	2	00 to 59	1
	2nd and next hour	00 and 01	1
+63 or -63	2	00 to 59	1
	2nd and next hour	00, 01, and 02	1
-64	2	00 to 59	1
	2nd and next hour	00, 01, 02, and 03	1

⁽¹⁾ When MODE = 0, the compensation pulses on pin $\overline{\text{INT}}$ are 15.625 ms wide.

In MODE = 0, CLKOUT and Timer Clock frequencies < 64 Hz are affected by the compensation pulses.

Effect of compensation pulses on frequencies when MODE = 0:

Frequency	Effect of compensation
CLKOUT	
32.768 kHz	no effect
16.384 kHz	no effect
8.192 kHz	no effect
4.096 kHz	no effect
2.048 kHz	no effect
1.024 kHz	no effect
1 Hz	Frequency affected
Timer Clock	
4.096 kHz	no effect
64 Hz	no effect
1 Hz	Periods affected
1/60 Hz	Periods affected

4.10.2. COMPENSATION PULSES WHEN MODE = 1 (FAST MODE)

The compensation is triggered once every four minutes and then compensation pulses are applied once per second up to a maximum of 60 pulses. When compensation values greater than 60 pulses are used, additional compensation pulses are made in the 59th second.

Clock compensation is made more frequently in MODE = 1; resulting in slightly higher power consumption.

Compensation pulses when MODE = 1:

Compensation pulses in steps	Update every n th minute	Second	Compensation pulses on $\overline{\text{INT}}$ per second ⁽¹⁾
+1 or -1	4	00	1
+2 or -2	4	00 and 01	1
+3 or -3	4	00, 01, and 02	1
:	:	:	:
+59 or -59	4	00 to 58	1
+60 or -60	4	00 to 59	1
+61 or -61	4	00 to 58	1
	4	59	2
+62 or -62	4	00 to 58	1
	4	59	3
+63 or -63	4	00 to 58	1
	4	59	4
-64	4	00 to 58	1
	4	59	5

⁽¹⁾ When MODE = 1, the compensation pulses on pin $\overline{\text{INT}}$ are 977 μs wide. For multiple pulses, they are repeated at an interval of 1.953 ms.

In MODE = 1, CLKOUT or Timer Clock frequencies < 1.024 kHz are affected by the compensation pulses.

Effect of compensation pulses on frequencies when MODE = 1:

Frequency	Effect of compensation
CLKOUT	
32.768 kHz	no effect
16.384 kHz	no effect
8.192 kHz	no effect
4.096 kHz	no effect
2.048 kHz	no effect
1.024 kHz	no effect
1 Hz	Frequency affected
Timer Clock	
4.096 kHz	no effect
64 Hz	Periods affected
1 Hz	Periods affected
1/60 Hz	Periods affected

4.11. CLKOUT FREQUENCY SELECTION

A programmable square wave is available at pin CLKOUT. Operation is controlled by the FD field in the register Control2. Frequencies of 32.768 kHz (default) down to 1 Hz can be generated for use as a system clock, microcontroller clock, input to a charge pump, or for calibration of the crystal oscillator.

Pin CLKOUT is a push-pull output and enabled at power-on. CLKOUT can be disabled by setting the FD field to 111 or by setting CLKOE LOW. When disabled, the CLKOUT is LOW.

The duty cycle of the selected clock is not controlled. However, due to the nature of the clock generation, all are 50 : 50 except the 32.768 kHz frequency.

The STOP bit function can also affect the CLKOUT signal, depending on the selected frequency. When the STOP bit is set logic 1, the CLKOUT pin generates a continuous LOW for those frequencies that can be stopped (for more details, see STOP BIT FUNCTION).

FD	CLKOUT Frequency	Typical duty cycle	Effect of STOP bit
000	32.768 kHz – Default value	50 ±10 %	no effect
001	16.384 kHz	50 %	no effect
010	8.192 kHz	50 %	no effect
011	4.096 kHz	50 %	CLKOUT = LOW
100	2.048 kHz	50 %	CLKOUT = LOW
101	1.024 kHz	50 %	CLKOUT = LOW
110	1 Hz ⁽¹⁾	50 %	CLKOUT = LOW
111	CLKOUT = LOW	-	-

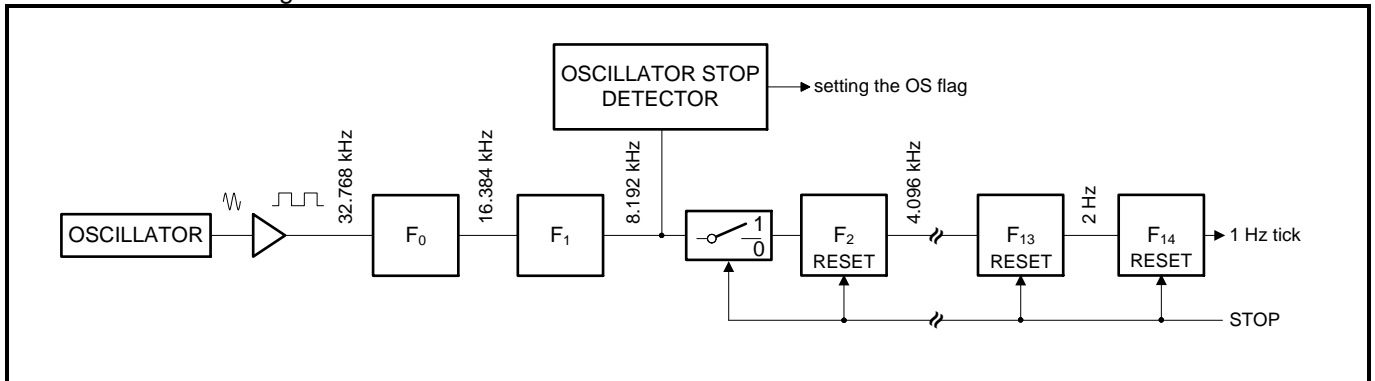
⁽¹⁾ 1 Hz clock pulses are affected by compensation pulses (see FREQUENCY OFFSET COMPENSATION).

4.12. STOP BIT FUNCTION

The function of the STOP bit is to allow for accurate starting of the time circuits.

The STOP bit function causes the upper part of the prescaler (F_2 to F_{14}) to be held in reset and thus no 1 Hz ticks are generated. The STOP bit function will not affect the CLKOUT of 32.768 kHz, 16.384 kHz and 8.192 kHz (see also CLKOUT FREQUENCY SELECTION).

STOP bit functional diagram:



The time circuits can then be set and do not increment until the STOP bit is released (see following Table and Figure).

First increment of time circuits after STOP bit release:

STOP bit	Prescaler bits ¹⁾ $F_0F_1-F_2$ to F_{14}	1 Hz tick	Time hh:mm:ss	Comment
Clock is running normally				
0	01-0 0001 1101 0100		12:45:12	Prescaler counting normally
STOP bit is activated by user. F_0F_1 are not reset and values cannot be predicted externally				
1	XX-0 0000 0000 0000		12:45:12	Prescaler is reset; time circuits are frozen
New time is set by user				
1	XX-0 0000 0000 0000		08:00:00	Prescaler is reset; time circuits are frozen
STOP bit is released by user				
0	XX-0 0000 0000 0000		08:00:00	Prescaler is now running
	XX-1 0000 0000 0000		08:00:00	-
	XX-0 1000 0000 0000		08:00:00	-
	XX-1 1000 0000 0000		08:00:00	-
	:		:	:
	11-1 1111 1111 1110		08:00:00	-
	00-0 0000 0000 0001		08:00:01	0 to 1 transition of F_{14} increments the time circuits
	10-0 0000 0000 0001		08:00:01	-
	:		:	:
	11-1 1111 1111 1111		08:00:01	-
	00-0 0000 0000 0000		08:00:01	-
	10-0 0000 0000 0000		08:00:01	-
	:		:	:
	11-1 1111 1111 1110		08:00:01	-
	00-0 0000 0000 0001		08:00:02	0 to 1 transition of F_{14} increments the time circuits
	10-0 0000 0000 0001		08:00:02	-

1) F_0 is clocked at 32.768 kHz.

The lower two stages of the prescaler (F_0 and F_1) are not reset. And because the SPI-bus is asynchronous to the crystal oscillator, the accuracy of restarting the time circuits is between zero and one 8.192 kHz cycle (see following Figure).

STOP bit release timing:



The first increment of the time circuits is between 0.507813 s and 0.507935 s after STOP bit is released. The uncertainty is caused by the prescaler bits F_0 and F_1 not being reset (see Table above) and the unknown state of the 32 kHz clock.

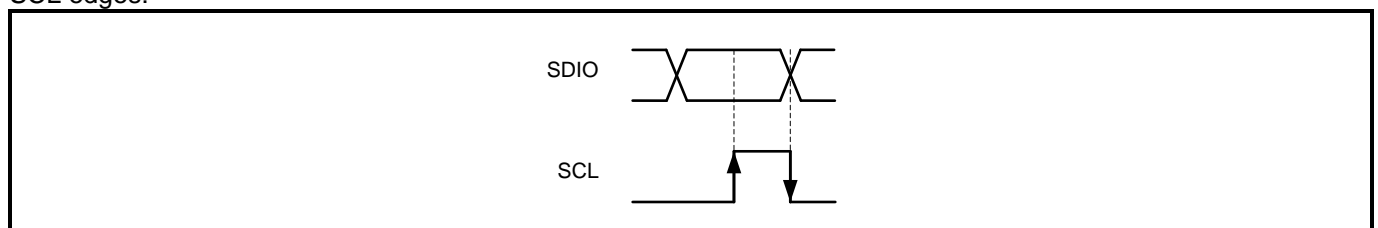
5. SPI INTERFACE

Data transfer to and from the device is made via a 3-wire SPI-bus (see following Table). The chip enable signal is used to identify the transmitted data. Each data transfer is a byte, with the Most Significant Bit (MSB) sent first (see following Figure).

SPI Serial interface:

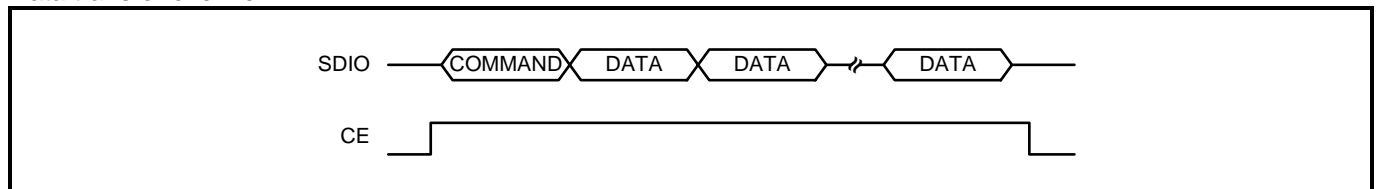
Symbol	Function	Description
CE	Chip Enable Input	When LOW, the interface is reset; may not be wired permanently HIGH.
SCL	Serial Clock Input	When CE is LOW, this input may float.
SDIO	Serial Data Input and Output	
	Input	When CE is LOW, input may float; input data is sampled on the rising edge of SCL.
	Output	Push-pull output; drives from V _{SS} to V _{DD} ; output data is changed on the falling edge of SCL; is high-impedance when not driving.

SCL edges:



The transmission is controlled by the active HIGH chip enable signal CE. The first byte transmitted is the command byte. Subsequent bytes are either data to be written or data to be read. Data is sampled on the rising edge of the clock and transferred internally on the falling edge. Therefore SCL in idle mode shall be LOW.

Data transfer overview:



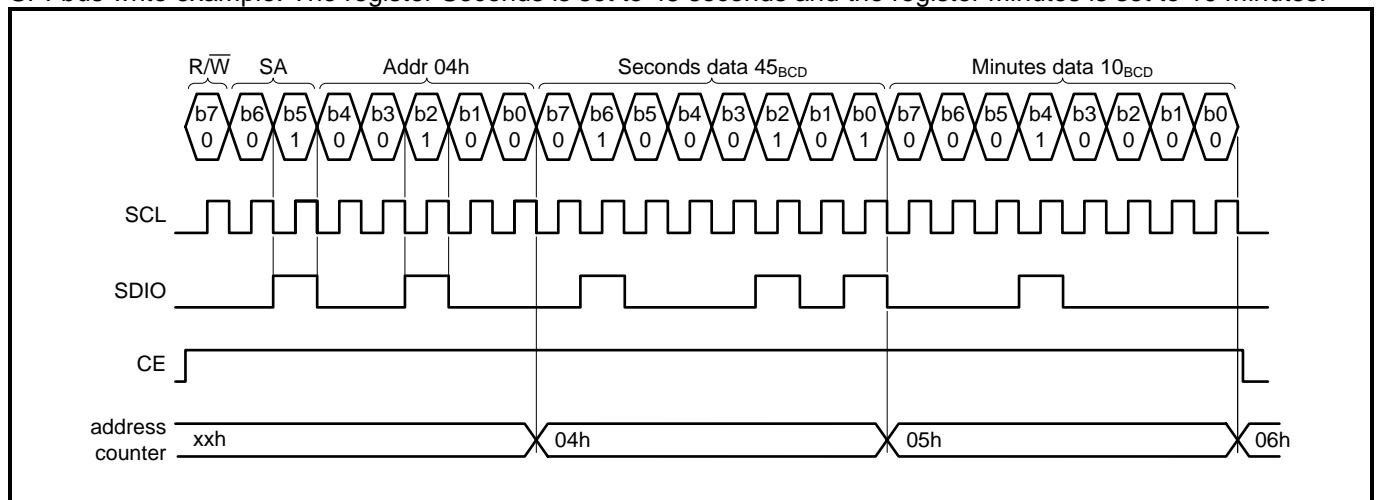
The command byte defines the address of the first register to be accessed and the read/write mode. The address counter will auto increment after every access and will roll over to zero after the last register is accessed (see Figure in FUNCTIONAL DESCRIPTION). The R/W bit defines whether the following bytes are read or write information.

Command byte definition:

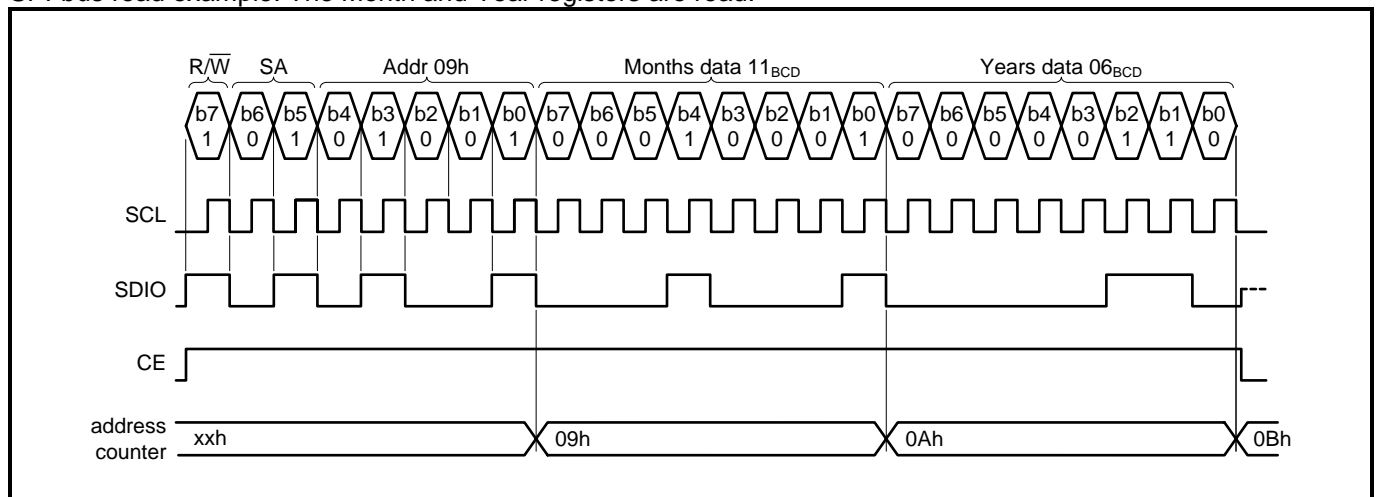
Bit	Symbol	Value	Description
7	R/W	Data read or data write selection	
		0	Write data
		1	Read data
6:5	SA	01	Subaddress ; other codes will cause the device to ignore data transfer.
4:0	RA	0h to 11h	Register address range ; other addresses will be ignored.

5.1. SERIAL BUS READ / WRITE EXAMPLES

SPI-bus write example: The register Seconds is set to 45 seconds and the register Minutes is set to 10 minutes.



SPI-bus read example: The Month and Year registers are read.



6. ELECTRICAL SPECIFICATIONS

6.1. ABSOLUTE MAXIMUM RATINGS

The following Table lists the absolute maximum ratings.

Absolute Maximum Ratings according to IEC 60134:

SYMBOL	PARAMETER	CONDITIONS	MIN	MAX	UNIT
V _{DD}	Power supply voltage		-0.5	6.5	V
I _{DD}	Power supply current		-50	50	mA
V _I	Input voltage		-0.5	6.5	V
V _O	Output voltage		-0.5	6.5	V
I _I	Input current	At any input	-10	10	mA
I _O	Output current	At any output	-10	10	mA
P _{TOT}	Total power dissipation			300	mW
V _{ESD}	Electrostatic discharge Voltage	HBM (1)		±5000	V
		CDM (2)		±2000	V
I _{LU}	Latch-up current	(3)		200	mA
T _{OPR}	Operating temperature		-40	85	°C
T _{STO}	Storage temperature	Stored as bare product	-55	125	°C
T _{PEAK}	Maximum reflow condition	JEDEC J-STD-020C		265	°C

(1) HBM: Human Body Model, according to JESD22-A114.
(2) CDM: Charged-Device Model, according to JESD22-C101.
(3) Latch-up testing, according to JESD78, at maximum ambient temperature (T_{A(max)})

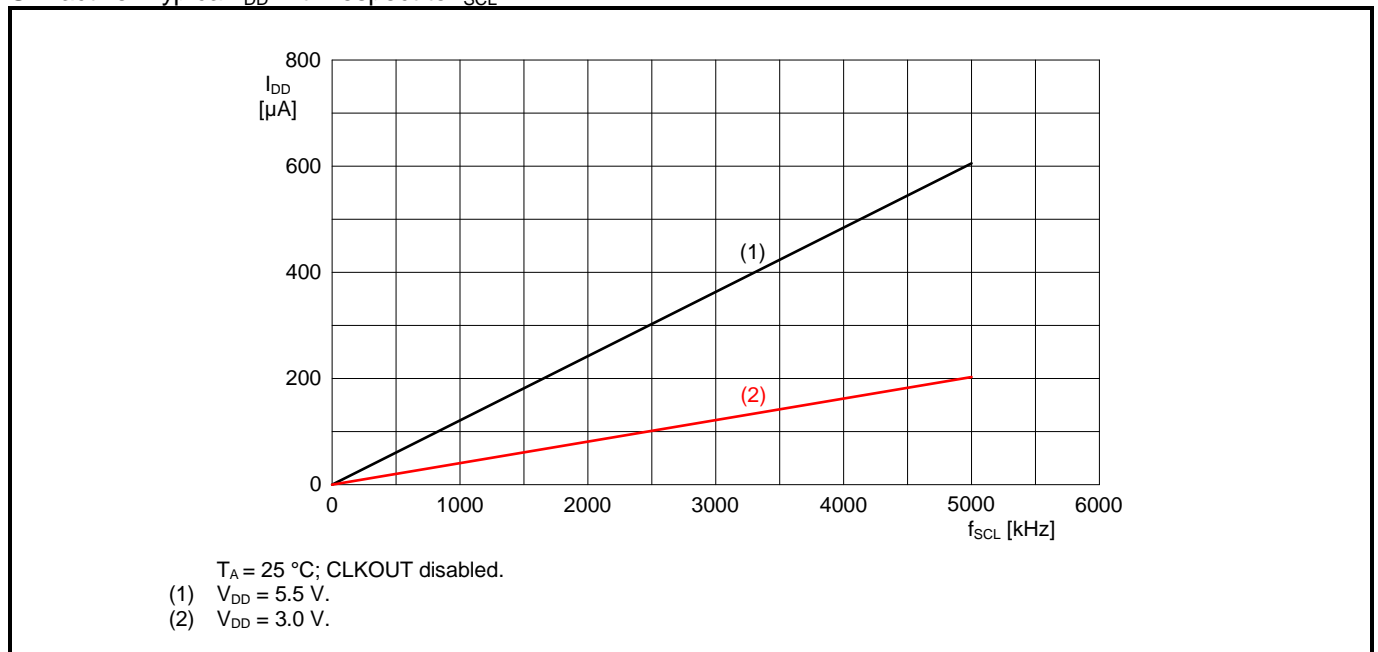
6.2. OPERATING PARAMETERS

For this Table, $T_A = -40\text{ }^{\circ}\text{C}$ to $+85\text{ }^{\circ}\text{C}$ unless otherwise indicated. $V_{DD} = 0.9$ to 5.5 V , TYP values at $25\text{ }^{\circ}\text{C}$ and 3.0 V .

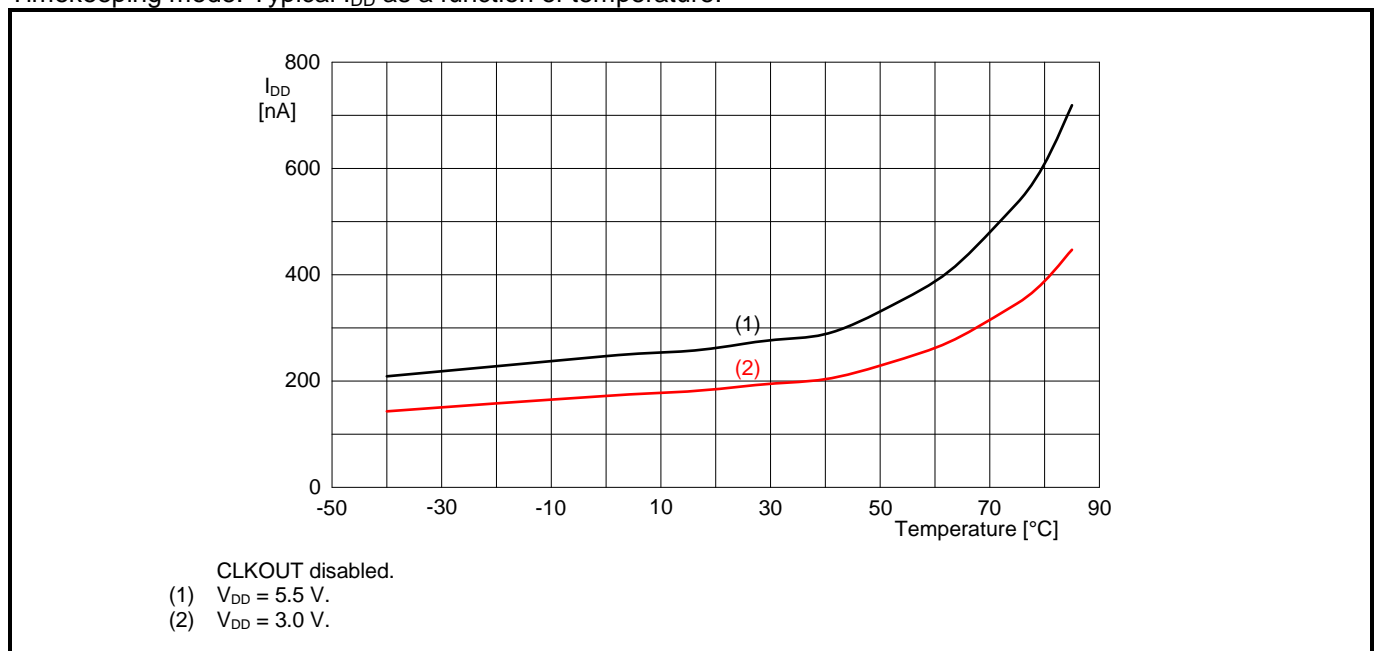
Operating Parameters:

SYMBOL	PARAMETER	CONDITIONS	MIN	TYP	MAX	UNIT
Supplies						
V_{DD}	Power supply voltage	Time-keeping mode; interface inactive; $f_{SCL} = 0\text{ Hz}$ ⁽¹⁾	0.9		5.5	V
		Interface active; $f_{SCL} = 1\text{ MHz}$ ⁽²⁾	1.8		5.5	
I_{DD}	V_{DD} supply current timekeeping. CLKOUT disabled; Interface inactive, $f_{SCL} = 0\text{ Hz}$ ⁽³⁾	$V_{DD} = 3.0\text{ V}$, $T_A = 25\text{ }^{\circ}\text{C}$		190		nA
		$V_{DD} = 3.0\text{ V}$, $T_A = 50\text{ }^{\circ}\text{C}$ ⁽⁴⁾		230		
		$V_{DD} = 3.0\text{ V}$, $T_A = 85\text{ }^{\circ}\text{C}$		450	600	
I_{DD}	V_{DD} supply current timekeeping. CLKOUT disabled; Interface active, $f_{SCL} = 1\text{ MHz}$	$V_{DD} = 3.0\text{ V}$		40	180	μA
Inputs						
V_I	Input voltage		$V_{SS} - 0.5$		$V_{DD} + 0.5$	V
V_{IL}	LOW level input voltage		V_{SS}		$0.3 V_{DD}$	V
V_{IH}	HIGH level input voltage		$0.7 V_{DD}$		V_{DD}	V
I_{LEAK}	Input leakage current	$V_I = V_{SS}$ or V_{DD}		0		μA
		$V_I = V_{SS}$ or V_{DD} , post ESD event	-0.15		+0.15	μA
C_I	Input capacitance	On pins SDIO, SCL, CE and CLKOE ⁽⁵⁾			7	pF
Outputs						
V_{OH}	HIGH level output voltage	On pins SDIO, CLKOUT	$0.8 V_{DD}$		V_{DD}	V
V_{OL}	LOW level output voltage	On pins SDIO, $\overline{\text{INT}}$, CLKOUT	V_{SS}		$0.2 V_{DD}$	V
I_{OH}	HIGH level output current	Output source current				
		On pin SDIO, $V_{OH} = 2.6\text{ V}$, $V_{DD} = 3.0\text{ V}$	2	5		mA
		On pin CLKOUT, $V_{OH} = 2.6\text{ V}$, $V_{DD} = 3.0\text{ V}$	1	3		mA
I_{OL}	LOW level output current	Output sink current				
		On pins SDIO, $\overline{\text{INT}}$ $V_{OL} = 0.4\text{ V}$, $V_{DD} = 3.0\text{ V}$	2	6		mA
		On pin CLKOUT $V_{OL} = 0.4\text{ V}$, $V_{DD} = 3.0\text{ V}$	1	3		mA
<p>⁽¹⁾ For reliable oscillator start-up at power-on, V_{DD} greater than 1.2 V has to be applied. If powered up at 0.9 V, t_{START} might be a little higher, especially at high temperature. Normally the power supply is not 0.9 V at start-up and only occurs at the end of a battery discharge. V_{DD} min of 0.9 V is specified so that the customer can calculate the dimension of a battery or capacitor for a specific application. V_{DD} min of 1.2 V or greater is needed to ensure speedy oscillator start-up time.</p> <p>⁽²⁾ 1 MHz SPI operation is production tested at 1.8 V. Design methodology allows SPI operation at $1.8\text{ V} - 5\%$ (1.71 V) which has been verified during product characterization on a limited number of devices.</p> <p>⁽³⁾ Timer source clock = $1/60\text{ Hz}$; level of pins CE, SDIO, and SCL is V_{DD} or V_{SS}.</p> <p>⁽⁴⁾ Tested on sample basis.</p> <p>⁽⁵⁾ Implicit by design.</p>						

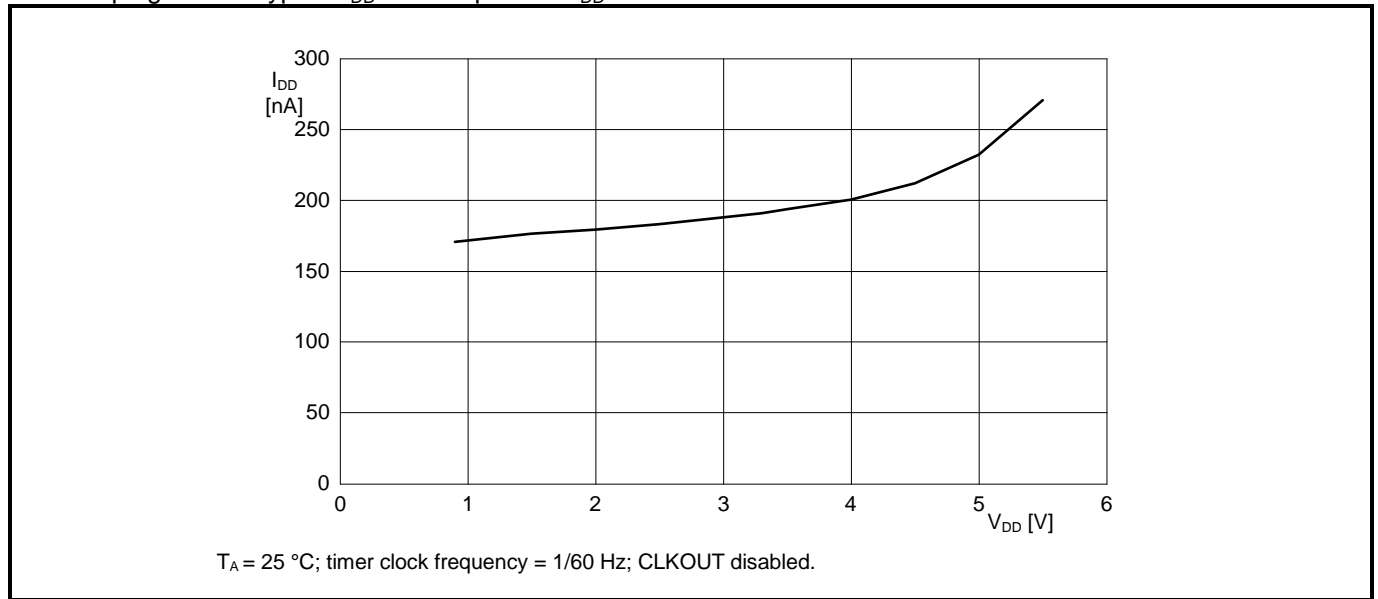
SPI active. Typical I_{DD} with respect to f_{SCL} :



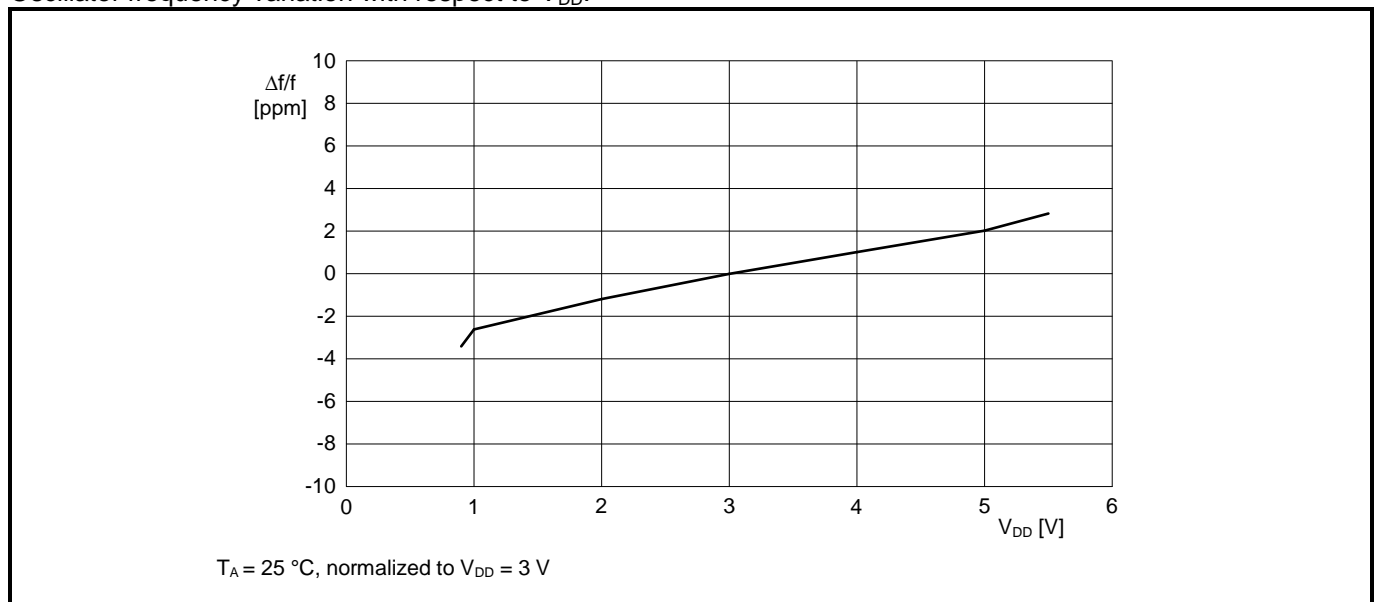
Timekeeping mode. Typical I_{DD} as a function of temperature:



Timekeeping mode. Typical I_{DD} with respect to V_{DD} :



Oscillator frequency variation with respect to V_{DD} :



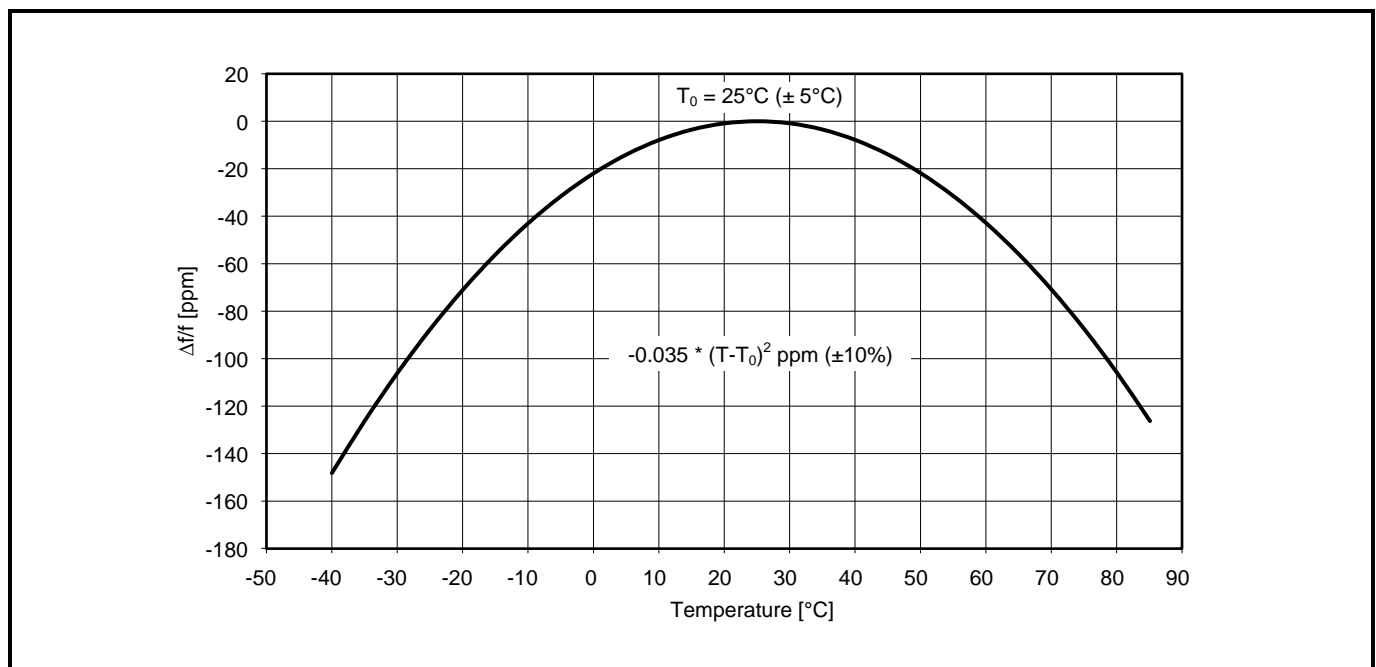
6.3. OSCILLATOR PARAMETERS

For this Table, $V_{DD} = 0.9$ to 5.5 V; $V_{SS} = 0$ V; $T_A = -40$ °C to $+85$ °C; $f_{OSC} = 32.768$ kHz; TYP values at 25 °C and 3.0 V; unless otherwise indicated.

Oscillator Parameters:

SYMBOL	PARAMETER	CONDITIONS	MIN	TYP	MAX	UNIT
Xtal General						
f	Crystal Frequency			32.768		kHz
t _{START}	Oscillator start-up time			0.2	2	s
δ _{CLKOUT}	CLKOUT duty cycle	F _{CLKOUT} = 32.768 kHz T _A = 25°C	40		60	%
Xtal Frequency Characteristics						
Δf/f	Frequency accuracy	F = 32.768 kHz T _A = 25°C, V _{DD} = 3.0 V		±10	±20	ppm
Δf/V	Frequency vs. voltage characteristics			±1		ppm/V
Δf/f _{TOPR}	Frequency vs. temperature characteristics	T _{OPR} = -40°C to +85°C V _{DD} = 3.0 V	-0.035 ^{ppm} /°C ² (T _{OPR} -T ₀) ² ±10%			ppm
T ₀	Turnover temperature		20		30	°C
Δf/f	Aging first year max.	T _A = 25°C, V _{DD} = 3.0 V			±3	ppm
Frequency Offset Compensation						
Δt/t	OFFSET value when MODE = 0: Min. comp. step (LSB) and Max. comp. range	T _A = -40°C to +85°C	±4.34		+273.4/ -277.8	ppm
Δt/t	OFFSET value when MODE = 1: Min. comp. step (LSB) and Max. comp. range	T _A = -40°C to +85°C	±4.069		+256.3/ -260.4	ppm
Δt/t	Achievable time accuracy	Calibrated at an initial temperature and voltage	-2.17		+2.17	ppm

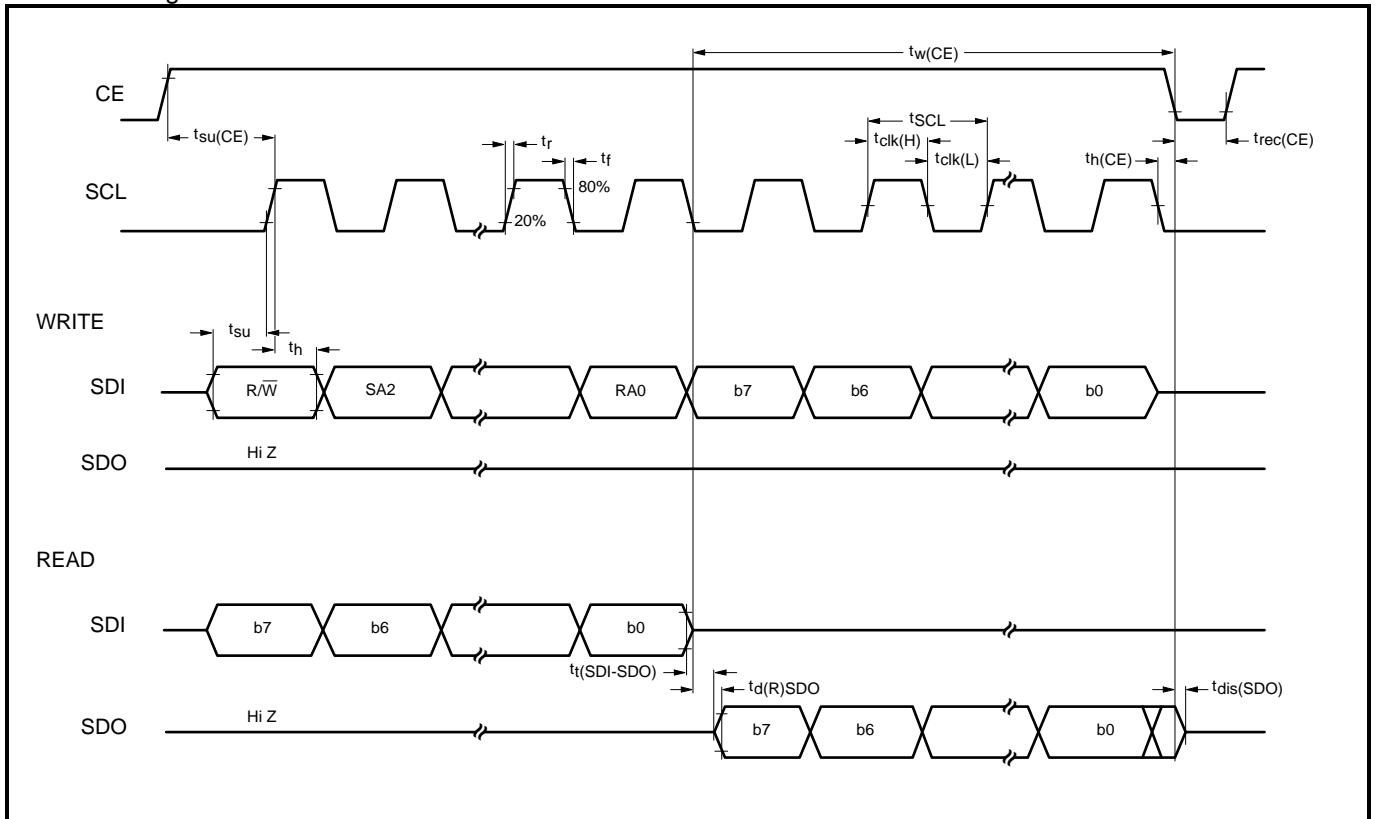
6.3.1.XTAL FREQUENCY VS. TEMPERATURE CHARACTERISTICS



6.4. SPI-BUS CHARACTERISTICS

$V_{DD} = 1.8\text{ V to }5.5\text{ V}$; $V_{SS} = 0\text{ V}$; $T_A = -40^\circ\text{C to }+85^\circ\text{C}$; $f_{osc} = 32.768\text{ kHz}$; unless otherwise specified. All timing values are valid within the operating supply voltage and temperature range and referenced to V_{IL} and V_{IH} with an input voltage swing of V_{SS} to V_{DD} .

SPI-bus timing:

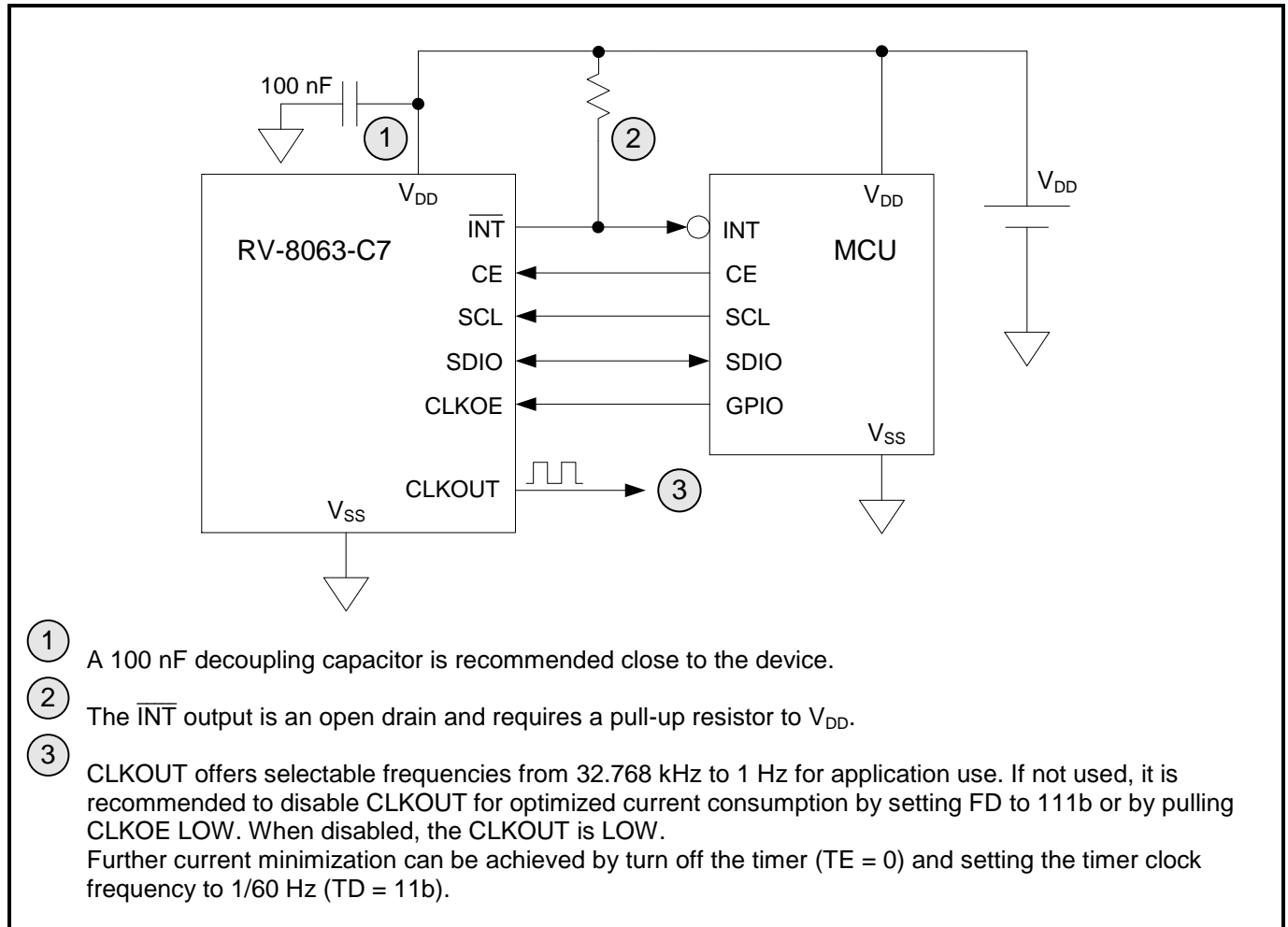


SPI-bus parameters:

SYMBOL	PARAMETER	CONDITIONS	$V_{DD} = 1.8\text{ V to }3.0\text{ V}$		$V_{DD} > 3.0\text{ V to }5.5\text{ V}$		UNIT
			MIN	MAX	MIN	MAX	
f_{SCL}	SCL clock frequency			5		7	MHz
t_{SCL}	SCL time		200		140		ns
$t_{clk(H)}$	Clock HIGH time		80		80		ns
$t_{clk(L)}$	Clock LOW time		110		60		ns
t_r	Rise time	For SCL signal		100		100	ns
t_f	Fall time	For SCL signal		100		100	ns
$t_{su(CE)}$	CE set-up time		15		15		ns
$t_{h(CE)}$	CE hold time		10		10		ns
$t_{rec(CE)}$	CE recovery time		50		50		ns
$t_w(CE)$	CE pulse width	Measured after valid subaddress is received		0.99		0.99	s
t_{su}	Set-up time	Set-up time for SDIO data	5		5		ns
t_h	Hold time	Hold time for SDIO data	50		20		ns
$t_{d(R)SDO}$	SDO read delay time	Bus load = 50 pF		110		60	ns
$t_{dis(SDO)}$	SDO disable time	No load value; bus will be held up by bus capacitance; use RC time constant with application values		50		50	ns
$t_t(SDI-SDO)$	Transition time from SDI to SDO	To avoid bus conflict; on pin SDIO	0		0		ns

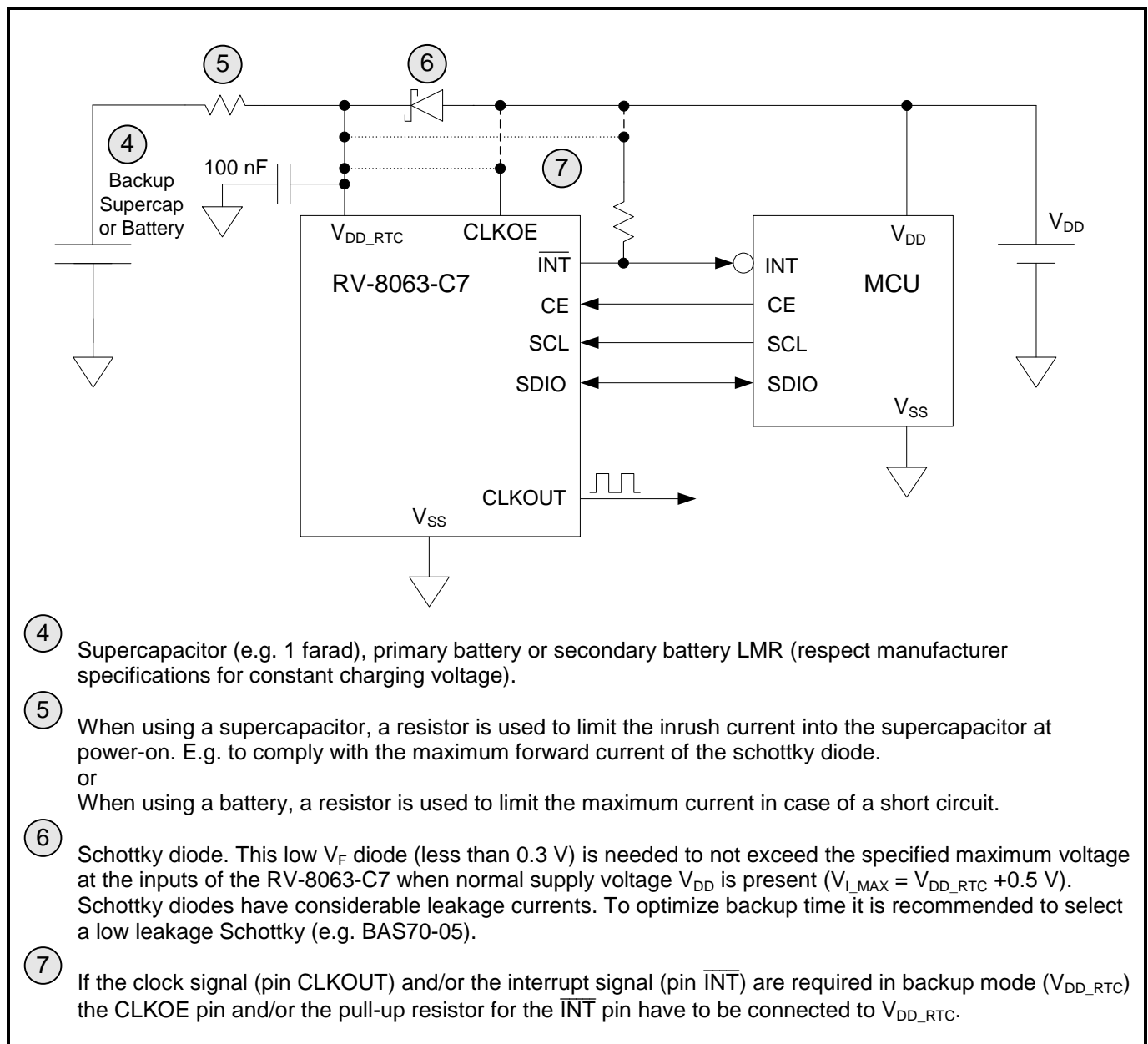
7. APPLICATION INFORMATION

7.1. OPERATING RV-8063-C7



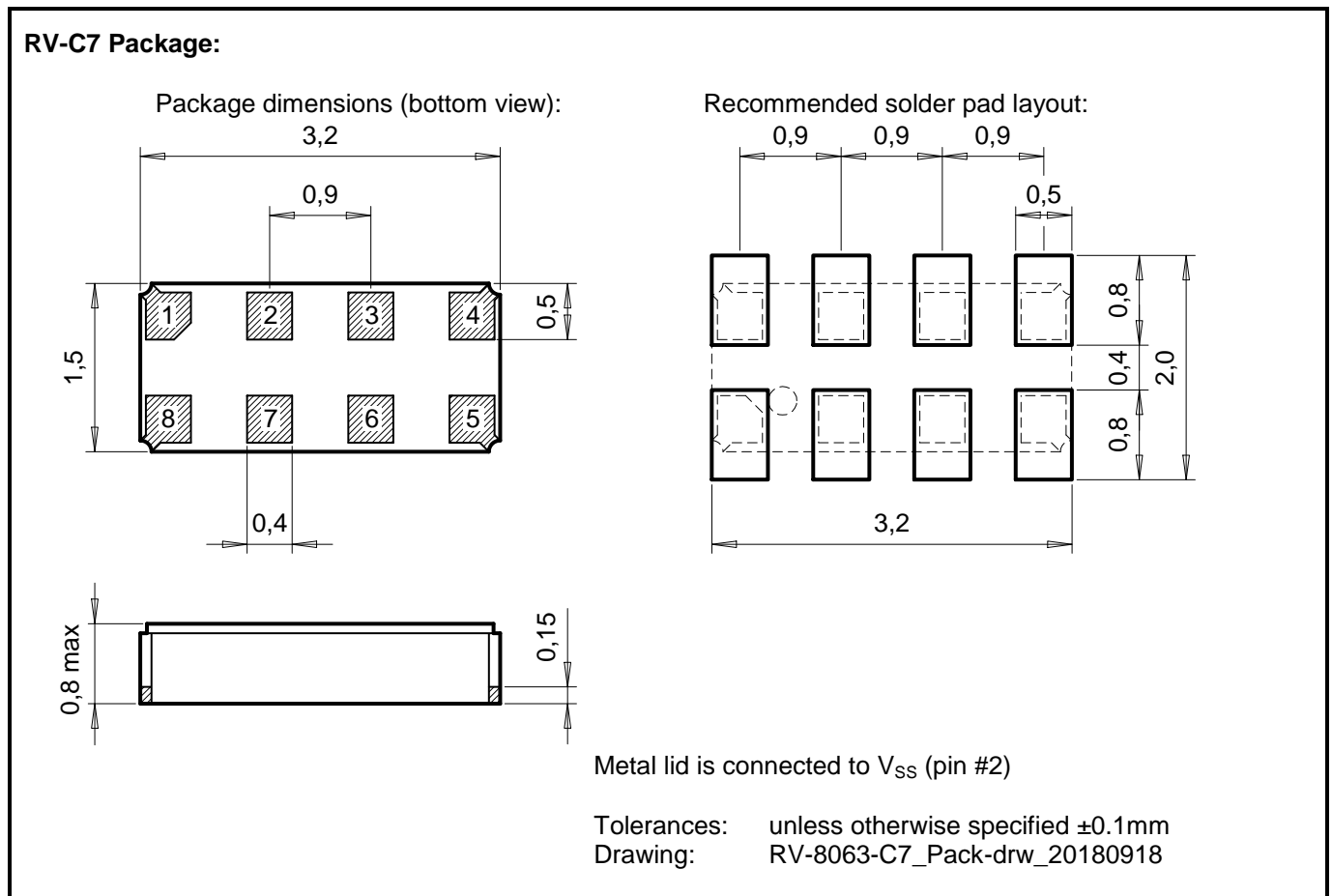
7.2. OPERATING RV-8063-C7 WITH BACKUP CAPACITOR

An external diode-circuitry can be wired to ensure standby or back-up supply. With the RTC in its minimum power configuration (see OPERATING RV-8063-C7) the RTC with a supercapacitor may operate for weeks and with a battery for years.



8. PACKAGE

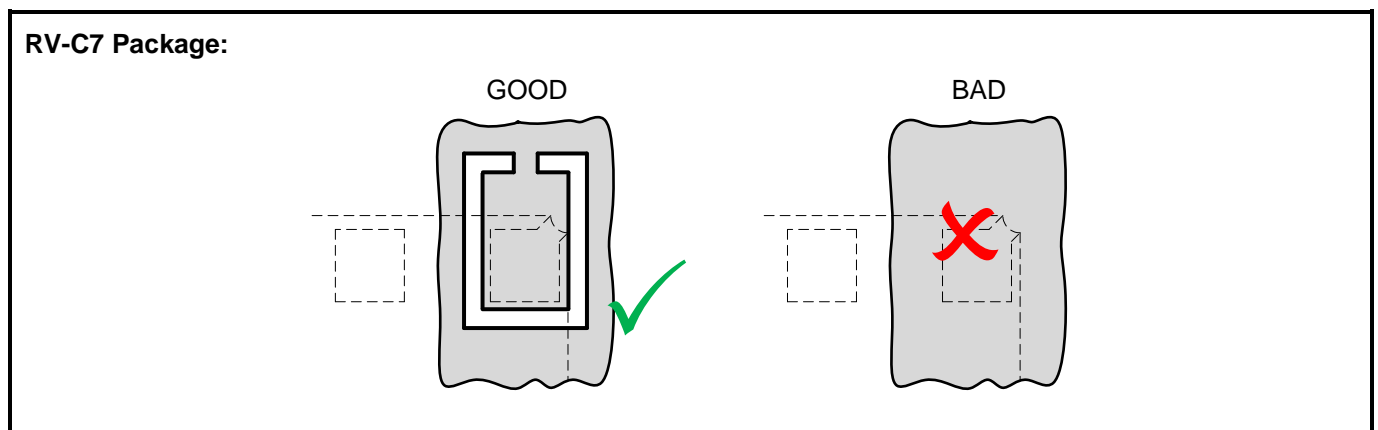
8.1. DIMENSIONS AND SOLDER PAD LAYOUT



All dimensions in mm typical.

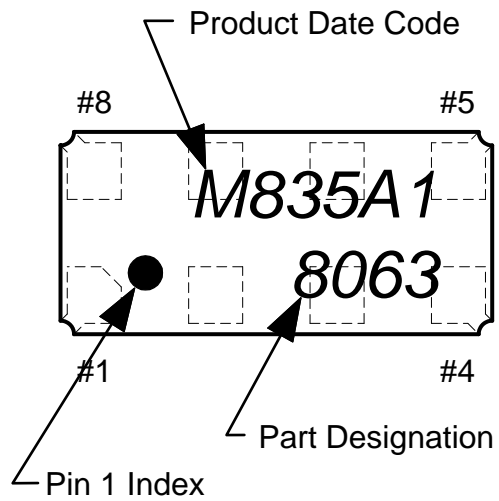
8.1.1. RECOMMENDED THERMAL RELIEF

When connecting a pad to a copper plane, thermal relief is recommended.



8.2. MARKING AND PIN #1 INDEX

Laser marking RV-8063-C7 Package: (top view)

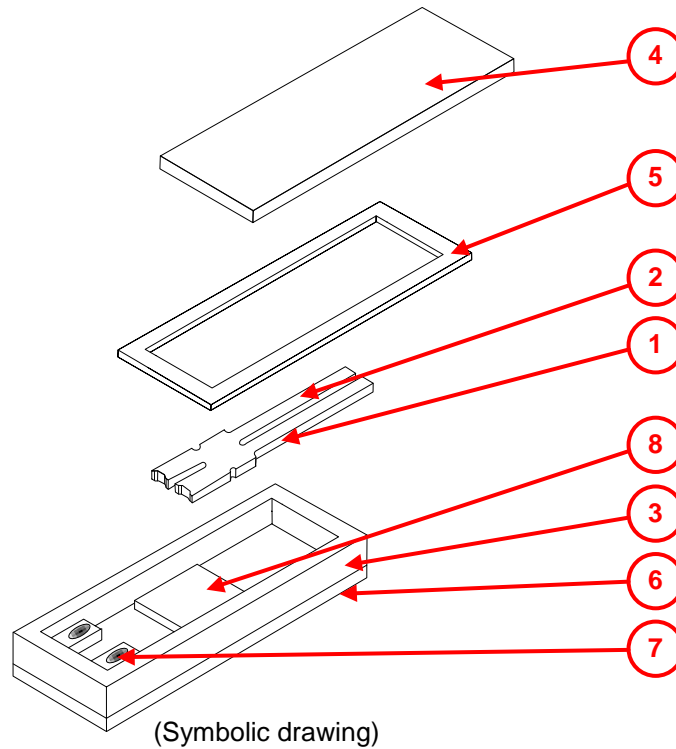


9. MATERIAL COMPOSITION DECLARATION & ENVIRONMENTAL INFORMATION

9.1. HOMOGENOUS MATERIAL COMPOSITION DECLARATION

Homogenous material information according to IPC-1752 standard

Material Composition RV-8063-C7:



No.	Item Component Name	Sub Item Material Name	Material Weight		Substance Element	CAS Number	Comment
			(mg)	(%)			
1	Resonator	Quartz Crystal	0.13	100%	SiO ₂	14808-60-7	
2	Electrodes	Cr+Au	0.01	6%	Cr	Cr: 7440-47-3	
				94%	Au	Au: 7440-57-5	
3	Housing	Ceramic	6.90	100%	Al ₂ O ₃	1344-28-1	
4	Metal Lid	Kovar Lid	2.67	95%	Fe53Ni29Co18	Fe: 7439-89-6 Ni: 7440-02-0 Co: 7440-48-4	Metal Lid (Kovar)
				4.95%	Ni	Ni: 7440-02-0	Nickel plating
				0.05%	Au	Au: 7440-57-5	Gold plating
5	Seal	Solder Preform	0.54	80%	Au80 / Sn20	Au: 7440-57-5	
				20%		Sn: 7440-31-5	
6	Terminations	Internal and external terminals	0.38	80%	Mo	Mo: 7439-98-7	Molybdenum
				15%	Ni	Ni: 7440-02-0	Nickel plating
				5%	Au 0.5 micron	Au: 7440-57-5	Gold plating
7	Conductive adhesive	Silver filled Silicone glue	0.09	88%	Ag	Ag: 7440-22-4	
				12%	Siloxanes and silicones	68083-19-2	di-Me, vinyl group-terminated
				0%	Distillates, petroleum hydrotreated	64742-47-8	Does not appear in finished product
8	CMOS IC	Silicon Gold bumps	0.64	90%	Si	Si: 7440-21-3	
				10%	Au	Au: 7440-57-5	
Unit weight			11.4				

9.2. MATERIAL ANALYSIS & TEST RESULTS

Homogenous material information according to IPC-1752 standard

No.	Item Component Name	Sub Item Material Name	RoHS						Halogen				Phthalates			
			Pb	Cd	Hg	Cr+6	PBB	PBDE	F	Cl	Br	I	BBP	DBP	DEHP	DINP
1	Resonator	Quartz Crystal	nd	nd	nd	nd	nd	nd	nd	nd	nd	nd	nd	nd	nd	nd
2	Electrodes	Cr+Au	nd	nd	nd	nd	nd	nd	nd	nd	nd	nd	nd	nd	nd	nd
3	Housing	Ceramic	nd	nd	nd	nd	nd	nd	nd	nd	nd	nd	nd	nd	nd	nd
4	Metal Lid	Kovar Lid & Plating	nd	nd	nd	nd	nd	nd	nd	nd	nd	nd	nd	nd	nd	nd
5	Seal	Solder Preform	nd	nd	nd	nd	nd	nd	nd	nd	nd	nd	nd	nd	nd	nd
6	Terminations	Int. & ext. terminals	nd	nd	nd	nd	nd	nd	nd	nd	nd	nd	nd	nd	nd	nd
7	Conductive adhesive	Silver filled Silicone glue	nd	nd	nd	nd	nd	nd	nd	nd	nd	nd	nd	nd	nd	nd
8	CMOS IC	Silicon & Gold bumps	nd	nd	nd	nd	nd	nd	nd	nd	nd	nd	nd	nd	nd	nd
	MDL	Measurement Detection Limit	2 ppm				5 ppm		50 ppm				0.003%		0.01%	

nd = not detectable

Test methods:

RoHS

Test method with reference to IEC 62321-5: 2013

MDL: 2 ppm (PBB / PBDE: 5 ppm)

Halogen

Test method with reference to BS EN 14582:2007

MDL: 50 ppm

Phthalates

Test method with reference to EN 14372

MDL: 0.003 % (DINP 0.01%)

9.3. RECYCLING MATERIAL INFORMATION

Recycling material information according to IPC-1752 standard.

Element weight is accumulated and referenced to the unit weight of 11.4 mg.

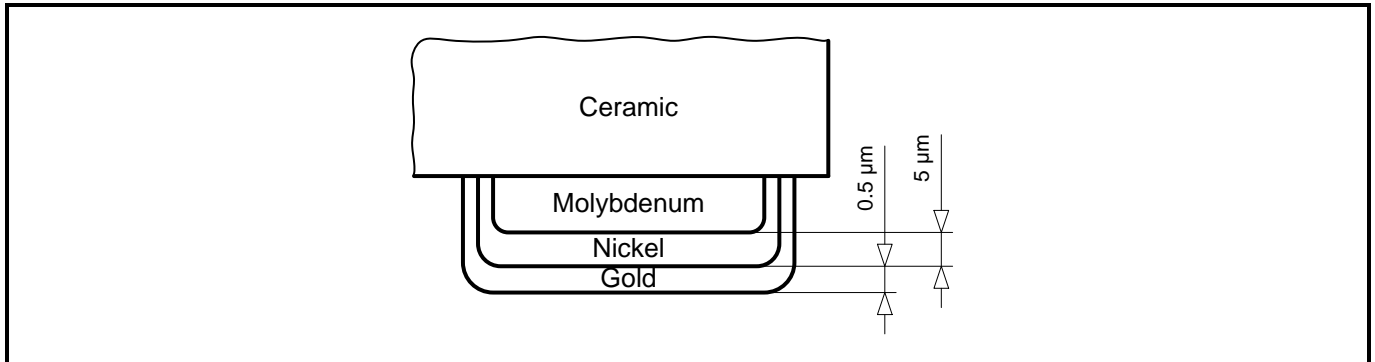
Item Material Name	No.	Item Component Name	Material Weight		Substance Element	CAS Number	Comment
			(mg)	(%)			
Quartz Crystal	1	Resonator	0.13	1.14	SiO ₂	14808-60-7	
Chromium	2	Electrodes	0.0006	0.005	Cr	Cr: 7440-47-3	
Ceramic	3	Housing	6.90	60.74	Al ₂ O ₃	1344-28-1	
Gold	2 4 5 6 8	Electrodes Metal Lid Seal Terminations CMOS IC	0.53	4.63	Au	Au: 7440-57-5	
Tin	5	Seal	0.11	0.95	Sn	Sn: 7440-31-5	
Nickel	4 6	Metal Lid Terminations	0.19	1.67	Ni	Ni: 7440-02-0	
Molybdenum	6	Terminations	0.3	2.68	Mo	Mo: 7439-98-7	
Kovar	4	Metal Lid	2.53	22.33	Fe53Ni29Co18	Fe: 7439-89-6 Ni: 7440-02-0 Co: 7440-48-4	
Silver	7a	Conductive adhesive	0.079	0.7	Ag	Ag: 7440-22-4	
Siloxanes and silicones	7b	Conductive adhesive	0.011	0.10	Siloxanes and silicones	68083-19-2	di-Me, vinyl group-terminated
Distillates	7c	Conductive adhesive	0	0	Distillates	64742-47-8	hydrotreated petroleum, does not appear in finished products
Silicon	8	CMOS IC	0.58	5.07	Si	Si: 7440-21-3	
Unit weight (total)			11.4	100			

9.4. ENVIRONMENTAL PROPERTIES & ABSOLUTE MAXIMUM RATINGS

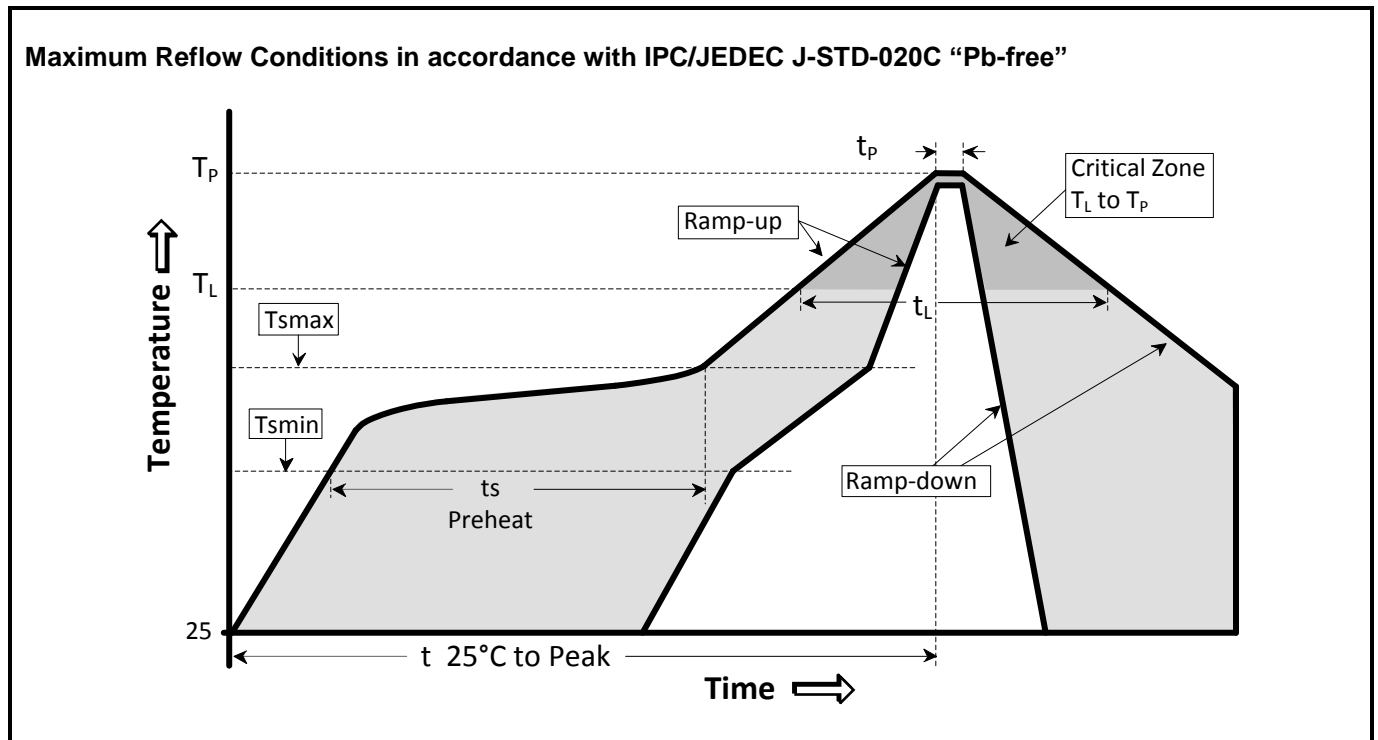
Package	Description
SON-8	Small Outline Non-leaded (SON), ceramic package with metal lid

Parameter	Directive	Conditions	Value
Product weight (total)			11.4 mg
Storage temperature		Store as bare product	-55 to +125°C
Moisture sensitivity level (MSL)	IPC/JEDEC J-STD-020D		MSL1
FIT / MTBF			available on request

Terminal finish:



10. SOLDERING INFORMATION



Temperature Profile	Symbol	Condition	Unit
Average ramp-up rate	($T_{s_{max}}$ to T_p)	3°C / second max	°C / s
Ramp down Rate	T_{cool}	6°C / second max	°C / s
Time 25°C to Peak Temperature	$T_{to-peak}$	8 minutes max	min
Preheat			
Temperature min	$T_{s_{min}}$	150	°C
Temperature max	$T_{s_{max}}$	200	°C
Time $T_{s_{min}}$ to $T_{s_{max}}$	t_s	60 – 180	sec
Soldering above liquidus			
Temperature liquidus	T_L	217	°C
Time above liquidus	t_L	60 – 150	sec
Peak temperature			
Peak Temperature	T_p	260	°C
Time within 5°C of peak temperature	t_p	20 – 40	sec

11. HANDLING PRECAUTIONS FOR MODULES WITH EMBEDDED CRYSTALS

The built-in tuning-fork crystal consists of pure Silicon Dioxide in crystalline form. The cavity inside the package is evacuated and hermetically sealed in order for the crystal blank to function undisturbed from air molecules, humidity and other influences.

Shock and vibration:

Keep the crystal / module from being exposed to **excessive mechanical shock and vibration**. Micro Crystal guarantees that the crystal / module will bear a mechanical shock of 5000 g / 0.3 ms.

The following special situations may generate either shock or vibration:

Multiple PCB panels - Usually at the end of the pick & place process the single PCBs are cut out with a router. These machines sometimes generate vibrations on the PCB that have a fundamental or harmonic frequency close to 32.768 kHz. This might cause breakage of crystal blanks due to resonance. Router speed should be adjusted to avoid resonant vibration.

Ultrasonic cleaning - Avoid cleaning processes using ultrasonic energy. These processes can damage crystals due to mechanical resonance of the crystal blank.

Overheating, rework high temperature exposure:

Avoid overheating the package. The package is sealed with a seal ring consisting of 80% Gold and 20% Tin. The eutectic melting temperature of this alloy is at 280°C. Heating the seal ring up to >280°C will cause melting of the metal seal which then, due to the vacuum, is sucked into the cavity forming an air duct. This happens when using hot-air-gun set at temperatures >300°C.

Use the following methods for rework:

- Use a hot-air- gun set at 270°C.
- Use 2 temperature controlled soldering irons, set at 270°C, with special-tips to contact all solder-joints from both sides of the package at the same time, remove part with tweezers when pad solder is liquid.

13. COMPLIANCE INFORMATION

Micro Crystal confirms that the standard product Real-Time Clock Module RV-8063-C7 is compliant with “EU RoHS Directive” and “EU REACH Directives”.

Please find the actual Certificate of Conformance for Environmental Regulations on our website:

[CoC_Environment_RV-Series.pdf](#)

14. DOCUMENT REVISION HISTORY

Date	Revision #	Revision Details
May 2015	1.0	First release
October 2018	1.1	Added Ordering Information, 1.3. Corrected title: Time And Date Registers, 3.3. Updated Dimensions And Solder Pad Layout, 8.1. Updated Marking and Pin #1 Index, 8.2.. Added Recommended Thermal Relief, 8.1.1. Added Material Composition Declaration & Environmental Information, 9. Updated Packing & Shipping Information, 12. Added Compliance Information, 13.

Information furnished is believed to be accurate and reliable. However, Micro Crystal assumes no responsibility for the consequences of use of such information nor for any infringement of patents or other rights of third parties which may result from its use. In accordance with our policy of continuous development and improvement, Micro Crystal reserves the right to modify specifications mentioned in this publication without prior notice. This product is not authorized for use as critical component in life support devices or systems.



Micro Crystal AG
 Muehlestrasse 14
 CH-2540 Grenchen
 Switzerland

Phone +41 32 655 82 82
 Fax +41 32 655 82 83
sales@microcrystal.com
www.microcrystal.com