

SAW Duplexer 836.50 / 881.50MHz
Part No: MP06510

Model: TF0095A
Rev. No: 1

A. MAXIMUM RATING:

Electrostatic Sensitive Device (ESD)

1. Maximum Input Power: 29dBm
2. DC voltage: 0V
3. Operating Temperature: -30°C to +85°C
4. Storage Temperature: -40°C to +85°C

B. ELECTRICAL CHARACTERISTICS:

1. Terminating impedance (Tx Port): 50Ω (Single-ended)
2. Terminating impedance (Rx Port): 50Ω (Single-ended)
3. Terminating impedance (Ant Port): 50 // 4.3nH Ω (Single-ended)

Tx to ANT

Parameters Description		Unit	Min.	Typ.	Max.
Insertion Loss	824.0 ~ 849.0MHz	dB	-	1.5	1.9
Amplitude Ripple	824.0 ~ 849.0MHz	dBp-p	-	0.3	0.9
VSWR	ANT	-	-	1.5	2.0
	Tx	-	-	1.7	2.0
Attenuation:					
DC ~ 750.0MHz		dB	25	33	-
779.0 ~ 804.0MHz		dB	30	40	-
860.0 ~ 870.0MHz		dB	3	7	-
869.0 ~ 894.0MHz		dB	45	50	-
1574.0 ~ 1577.0MHz		dB	45	50	-
1648.0 ~ 1698.0MHz		dB	40	49	-
2472.0 ~ 2547.0MHz		dB	25	33	-

SAW Duplexer 836.50 / 881.50MHz
Part No: MP06510

Model: TF0095A
Rev. No: 1

ANT to Rx

Parameters Description		Unit	Min.	Typ.	Max.
Insertion Loss	869.0 ~ 894.0MHz	dB	-	2.4	3.0
Amplitude Ripple	869.0 ~ 894.0MHz	dBp-p	-	1.2	2.2
VSWR	ANT	869.0 ~ 894.0MHz	-	1.8	2.0
	Rx		-	1.8	2.0
Attenuation:					
779.0 ~ 804.0MHz		dB	51	57	-
824.0 ~ 849.0MHz		dB	51	55	-

Tx to Rx

Isolation	824.0 ~ 849.0MHz	dB	55	58	-
	849.0 ~ 869.0MHz	dB	12	14	-
	869.0 ~ 894.0MHz	dB	47	51	-

SAW Duplexer 836.50 / 881.50MHz
Part No: MP06510

Model: TF0095A
Rev. No: 1

C. FREQUENCY CHARACTERISTICS:

Tx to Ant



Ant to Rx



SAW Duplexer 836.50 / 881.50MHz
Part No: MP06510

Model: TF0095A
Rev. No: 1

Isolation



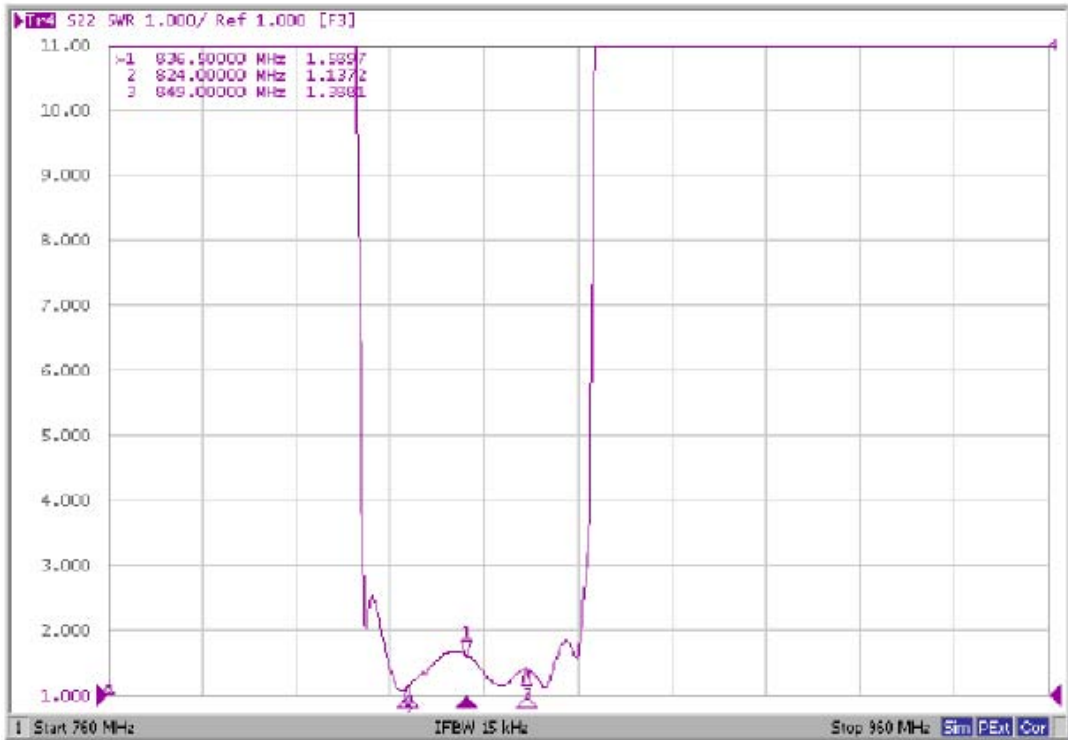
Ripple



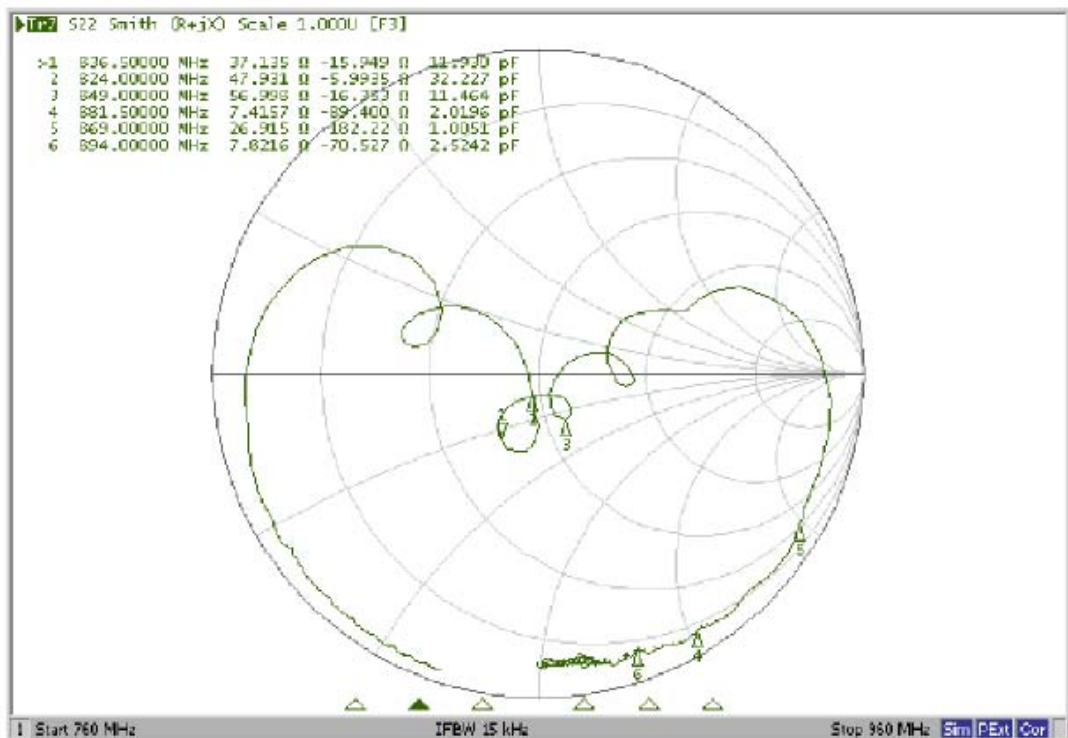
SAW Duplexer 836.50 / 881.50MHz
Part No: MP06510

Model: TF0095A
Rev. No: 1

VSWR (Tx Port)



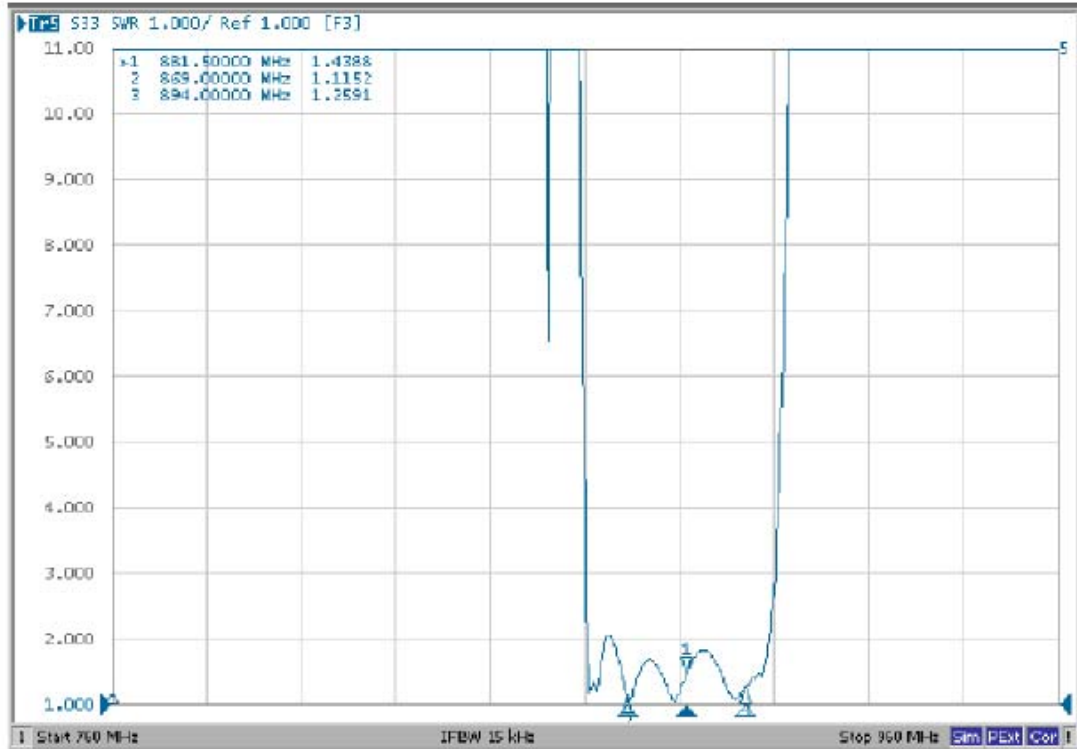
Smith Chart (Tx Port)



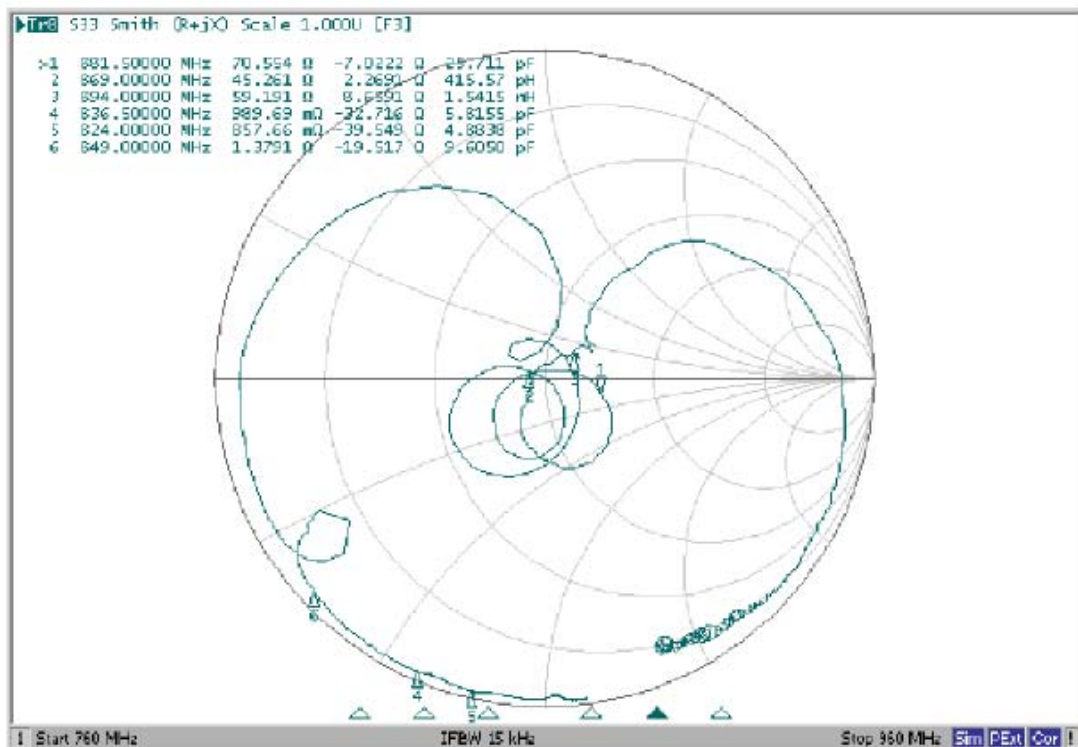
SAW Duplexer 836.50 / 881.50MHz
Part No: MP06510

Model: TF0095A
Rev. No: 1

VSWR (Rx Port)



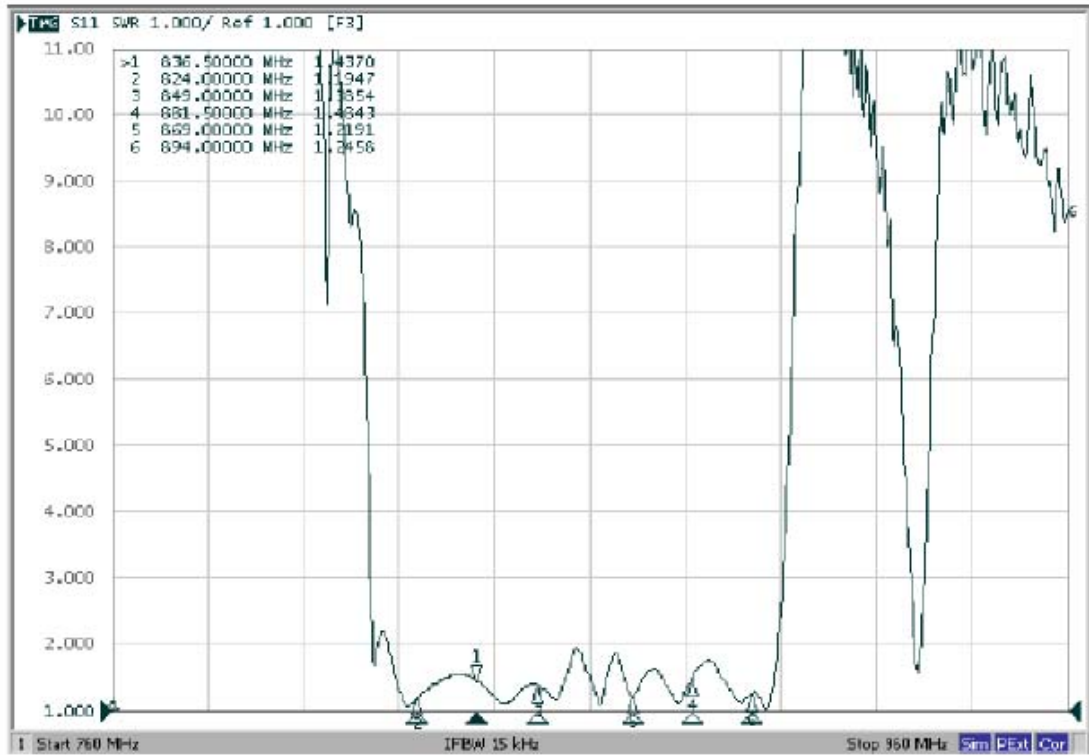
Smith Chart (Rx Port)



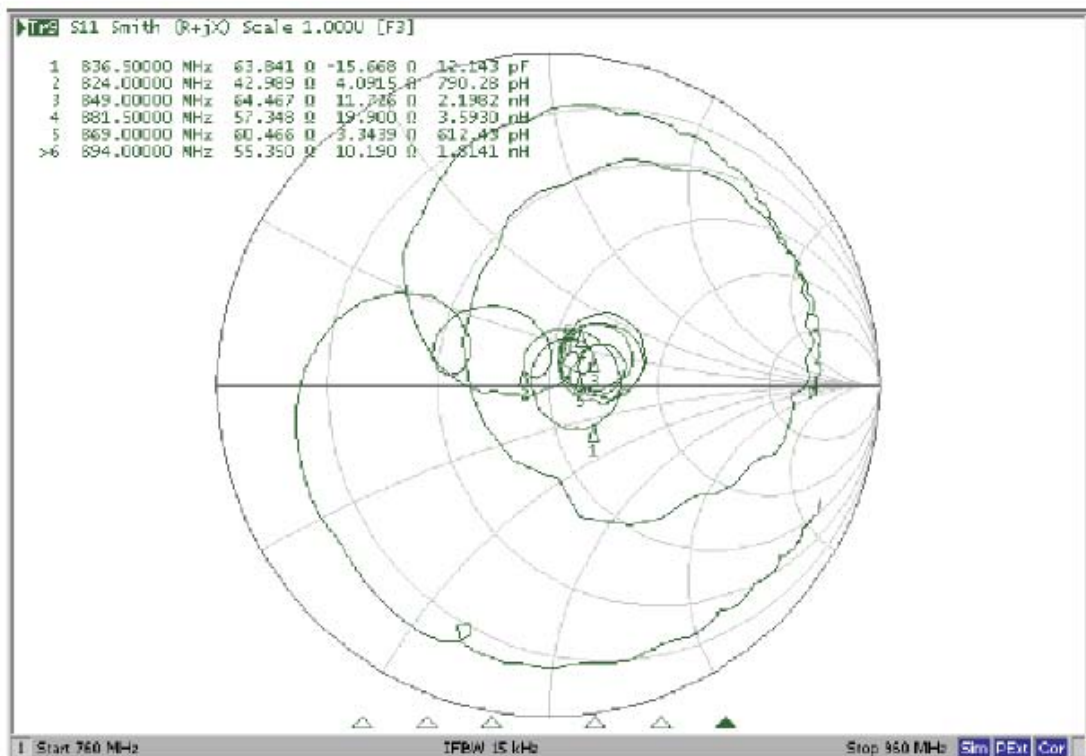
SAW Duplexer 836.50 / 881.50MHz
Part No: MP06510

Model: TF0095A
Rev. No: 1

VSWR (ANT Port)



Smith Chart (ANT Port)

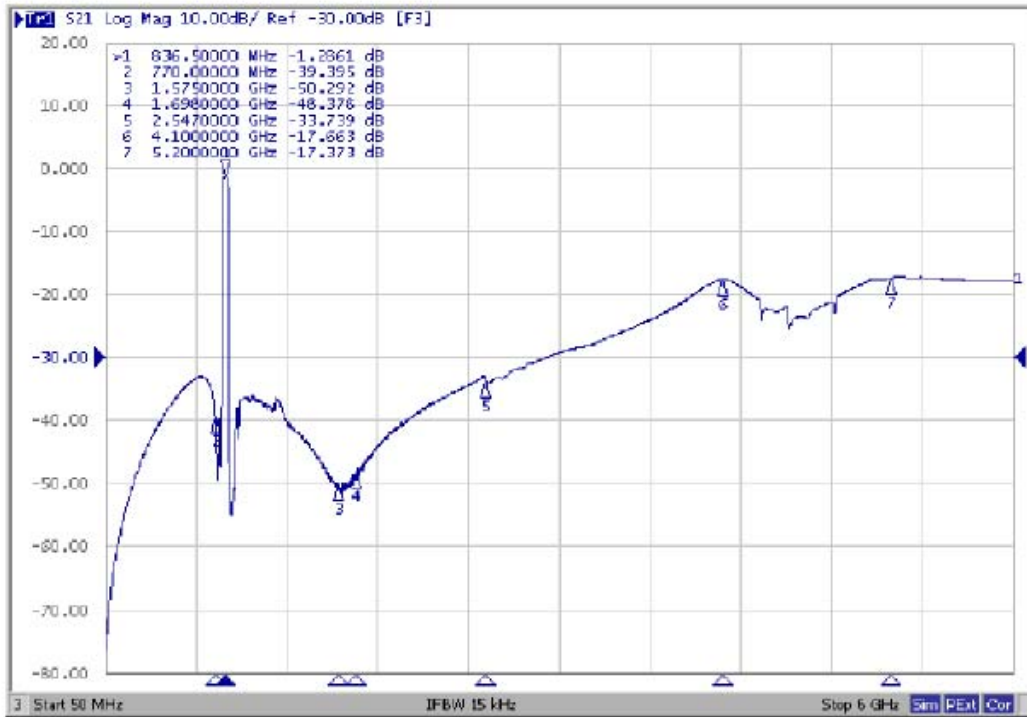


SAW Duplexer 836.50 / 881.50MHz
Part No: MP06510

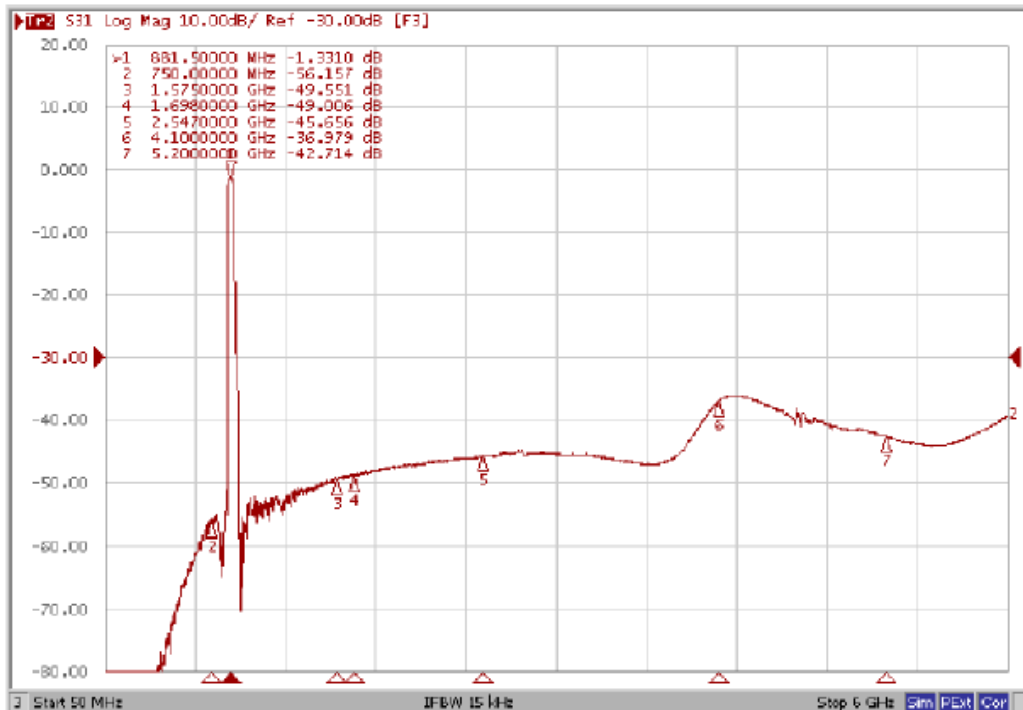
Model: TF0095A
Rev. No: 1

Wide Span

Tx



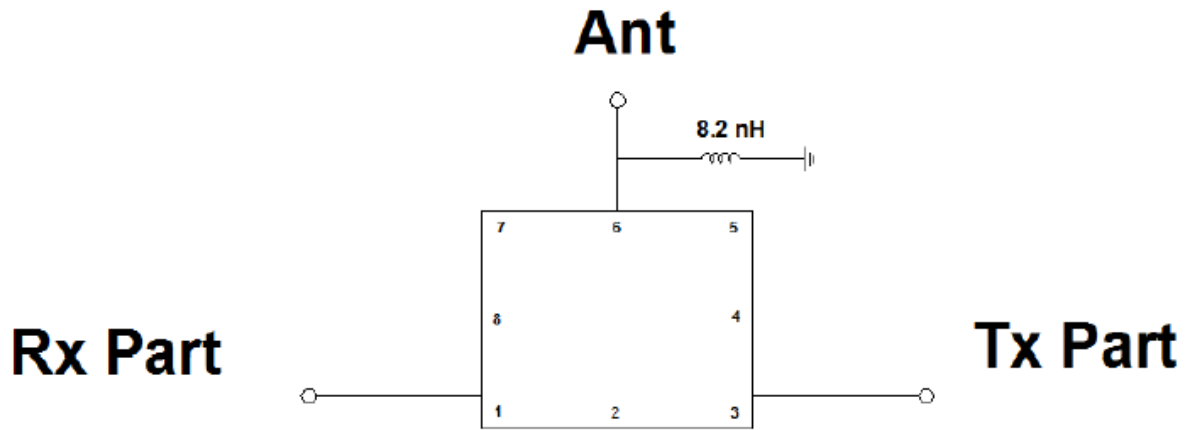
Rx



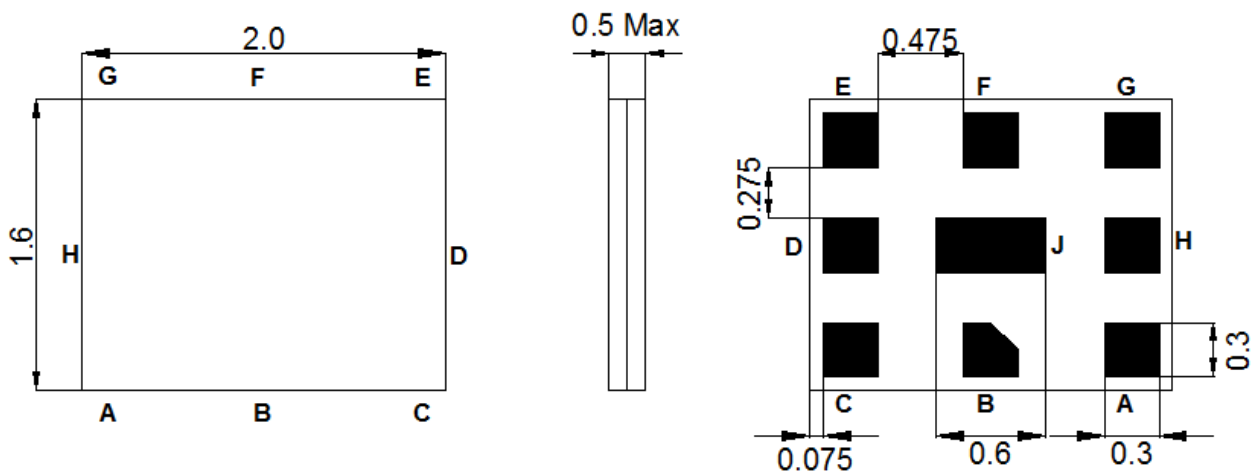
SAW Duplexer 836.50 / 881.50MHz
Part No: MP06510

Model: TF0095A
Rev. No: 1

D. MEASUREMENT CIRCUIT:



E. OUTLINE DRAWING:



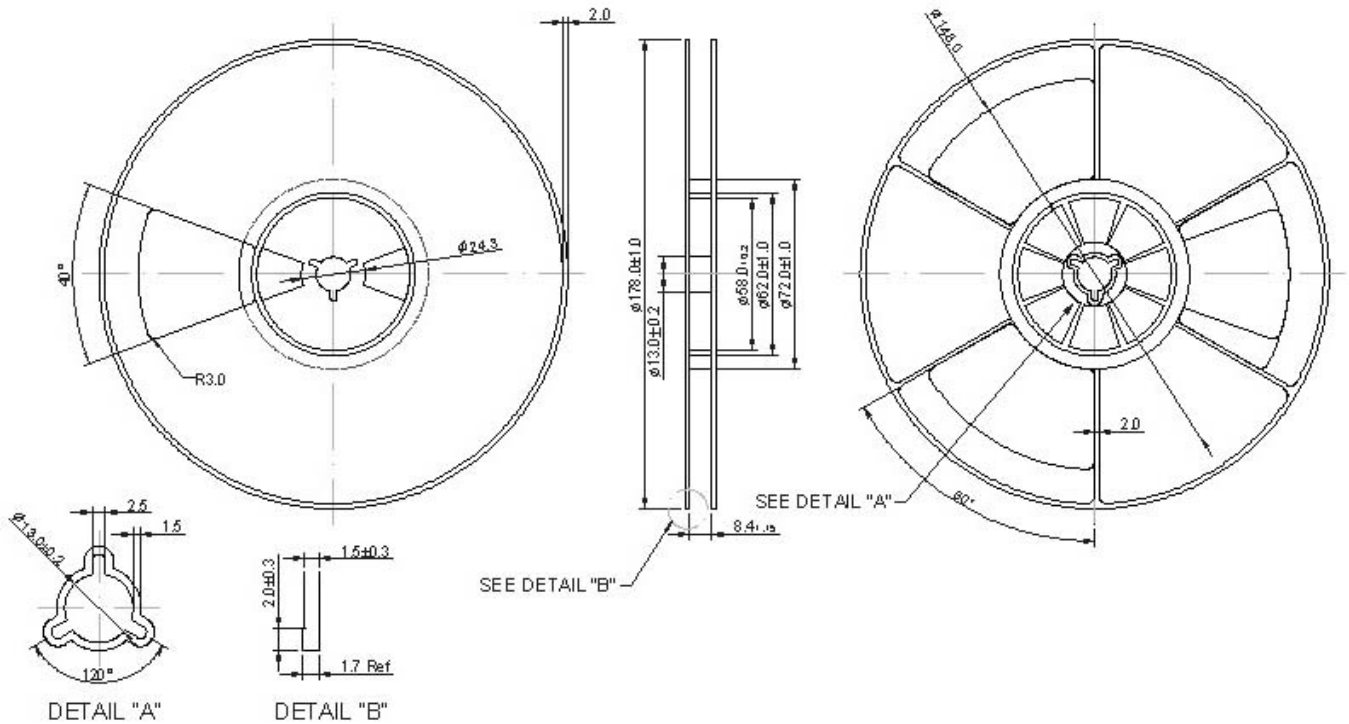
B, D, E, G, H, J: Ground
 F: Ant
 C: Tx (836.5MHz)
 A: Rx (881.5MHz)

SAW Duplexer 836.50 / 881.50MHz
Part No: MP06510

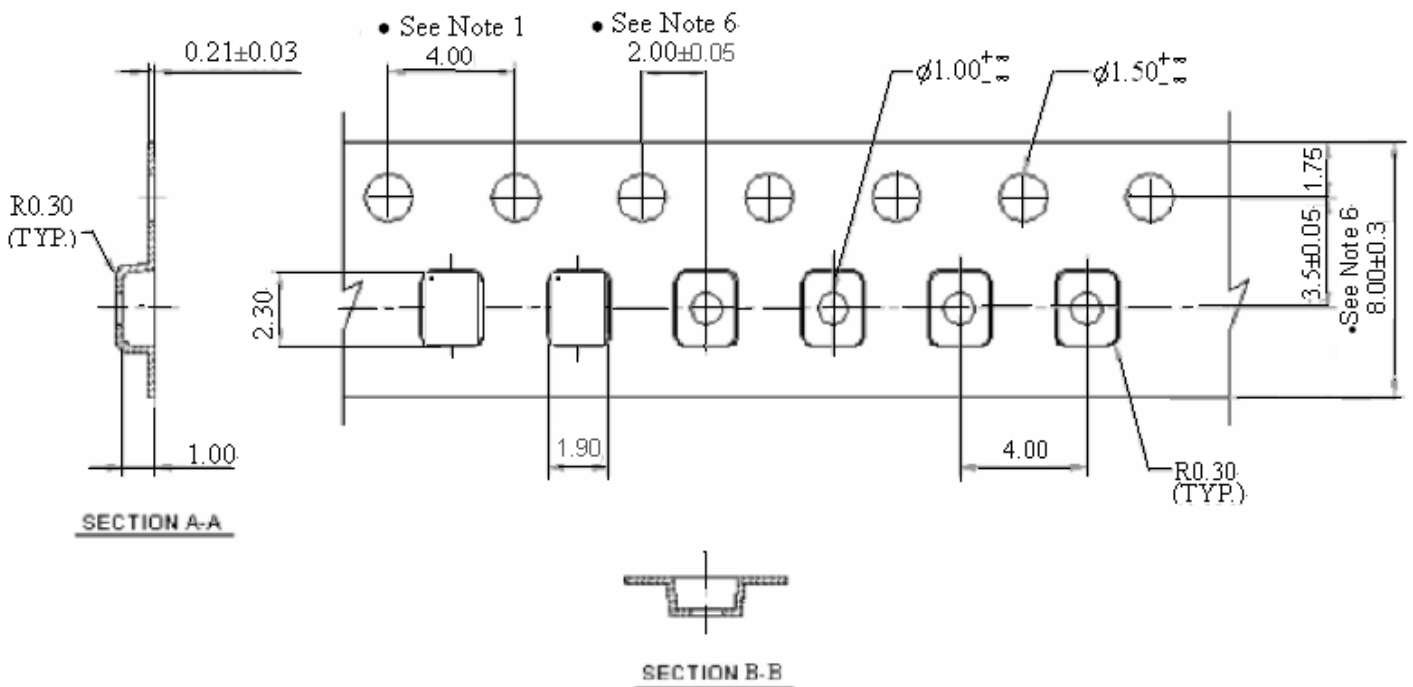
Model: TF0095A
Rev. No: 1

F. PACKING:

1. Reel Dimension (Please refer to FR-75D10 for packing quantity)



2. Tape Dimension



SAW Duplexer 836.50 / 881.50MHz
Part No: MP06510

Model: TF0095A
Rev. No: 1

G. RECOMMENDED REFLOW PROFILE:

