
374.0MHz SAW Filter**Model: TB0135A****Part No: MA04269****REV NO.: 7**

A. MAXIMUM RATING:

- 1 .Input Power Level: 10 dBm
2. Operating Temperature: -10°C to 85°C
3. Storage Temperature: -40°C to 85°C

B. ELECTRICAL CHARACTERISTICS:

Item	Unit	Min.	Type.	Max.	Note
Center frequency, Fc	MHz	-	374	-	
Insertion Loss, IL	dB	-	8.5	10	
Passband width, BW3	MHz	17	19.5	-	
Amplitude Ripple in Fc±7MHz	dB	-	0.6	1	
Group delay ripple in Fc±7MHz	nS	-	39	100	
Triple transit suppression	dB	30	37	-	
Attenuation:(Ref level from Min IL)					
Fc -100 to -33MHz	dB	45	53	-	
Fc -33 to -22MHz	dB	40	56	-	
Fc -22 to -16.5MHz	dB	30	48	-	
Fc +16.5 to +22MHz	dB	30	41	-	
Fc +22 to +43 MHz	dB	35	43		
Fc +43 to +80MHz	dB	40	45	-	

374.0MHz SAW Filter
Part No: MA04269

Model: TB0135A
REV NO.: 7

C. FREQUENCY CHARACTERISTICS:

(1) Wide band of Response:

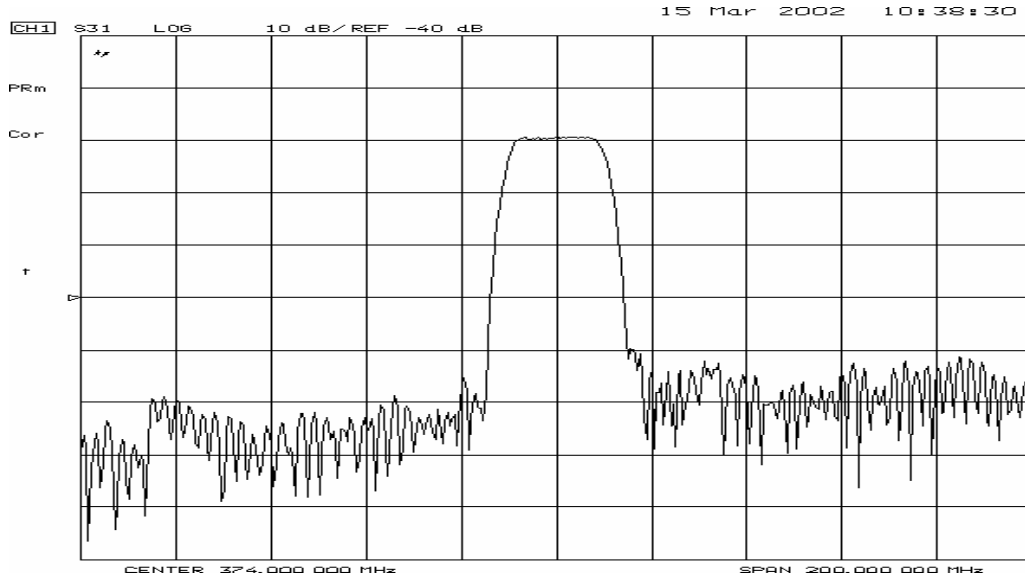


Fig.1 S21 Response REF. : -40dB Horizontal: 3MHz/Div
Vertical: 10dB/Div

(2) Passband of Response:

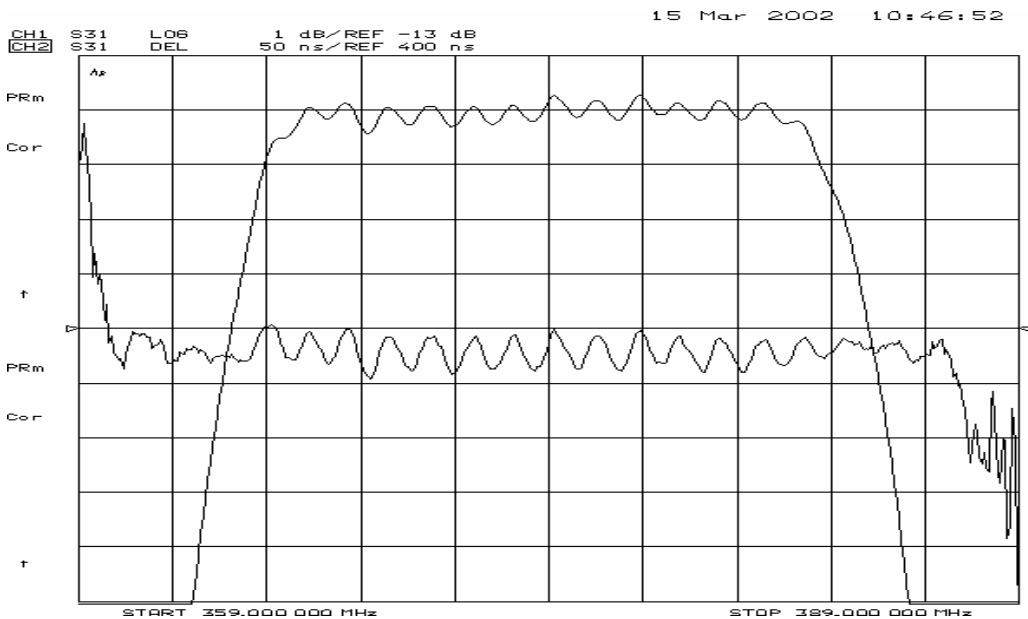


Fig.2 S21 Response Horizontal: 3MHz/Div
Vertical: 1dB/Div, 50nS

374.0MHz SAW Filter

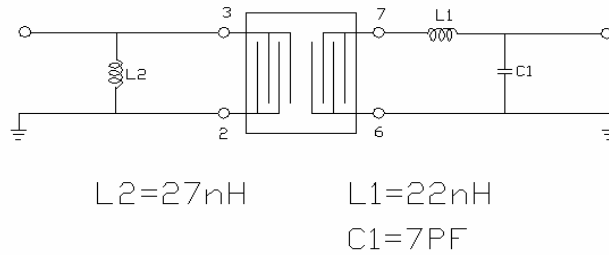
Model: TB0135A

Part No: MA04269

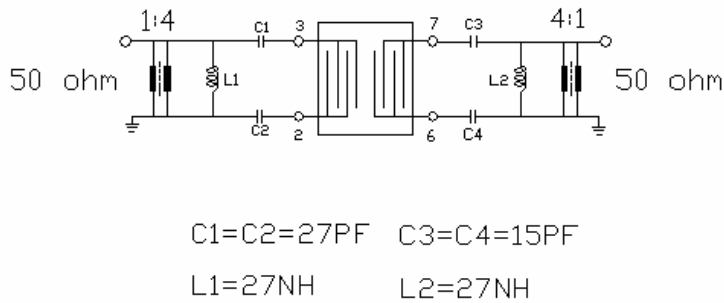
REV NO.: 7

D. MEASUREMENT CIRCUIT:

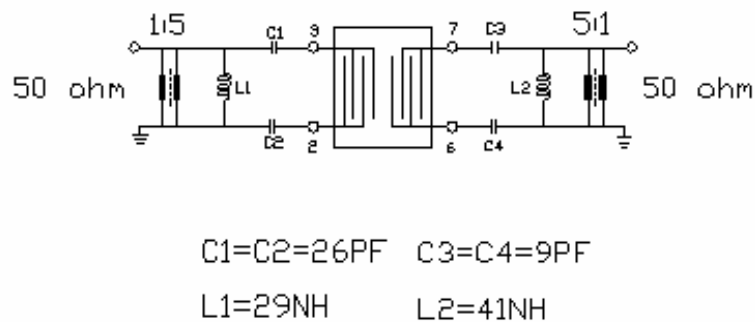
(1) 50Ω unbalanced:



(2) 200Ω balanced:



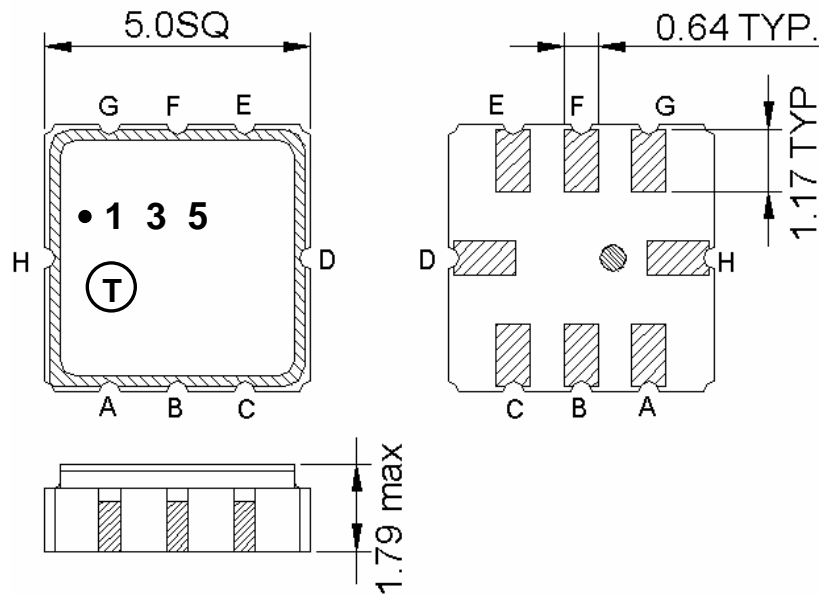
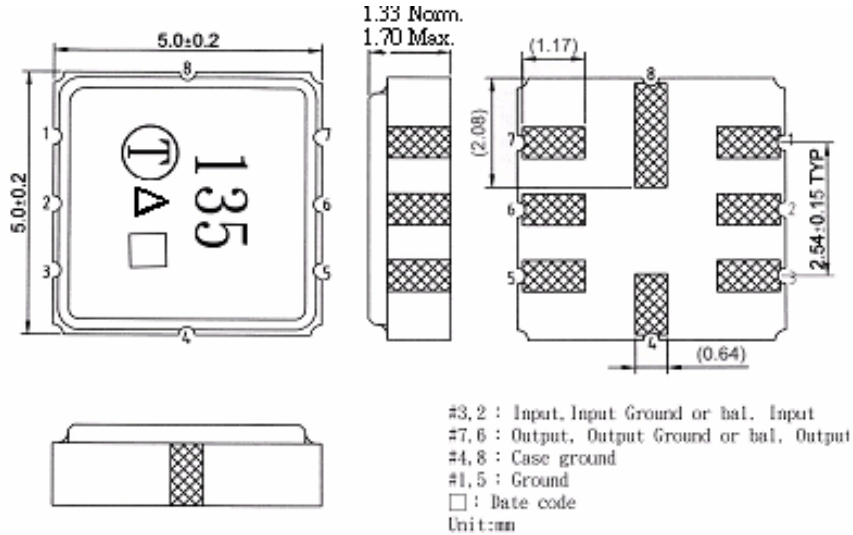
(3) 250Ω balanced:



374.0MHz SAW Filter
Part No: MA04269

Model: TB0135A
REV NO.: 7

E. OUTLINE DRAWING:



#B,C : Input, Input Ground or bal. Input
 #G,F : Output, Output Ground or bal. Output
 #D,H : Case Ground
 #A,E : Ground
 Unit : mm

374.0MHz SAW Filter

Model: TB0135A

Part No: MA04269

REV NO.: 7

G. RECOMMENDED REFLOW PROFILE:

